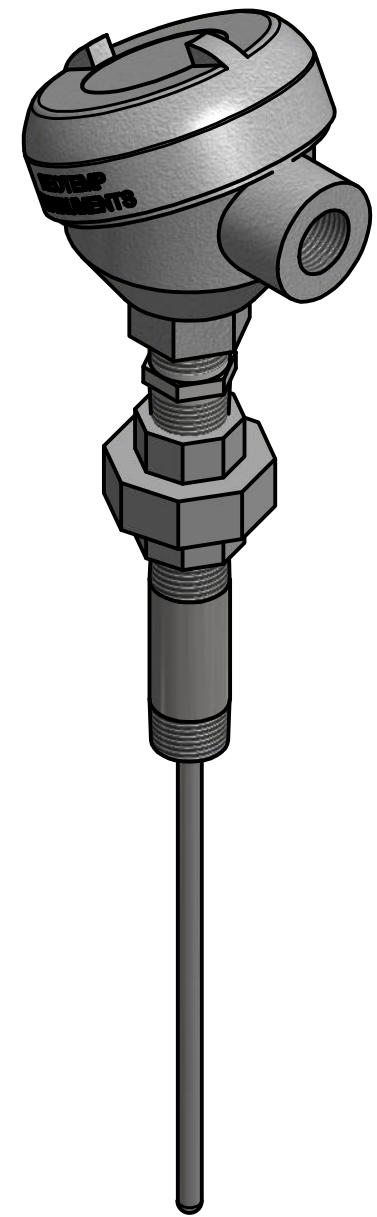
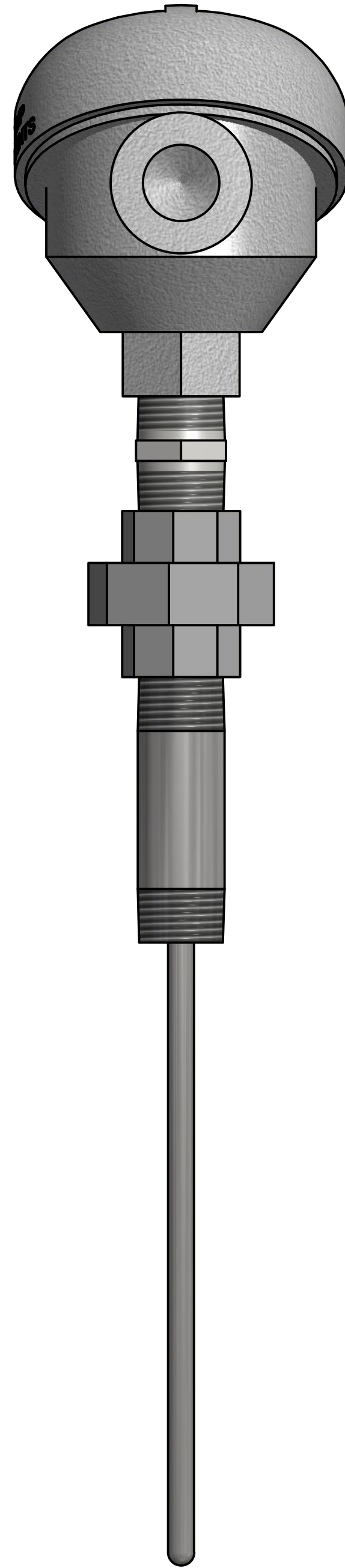
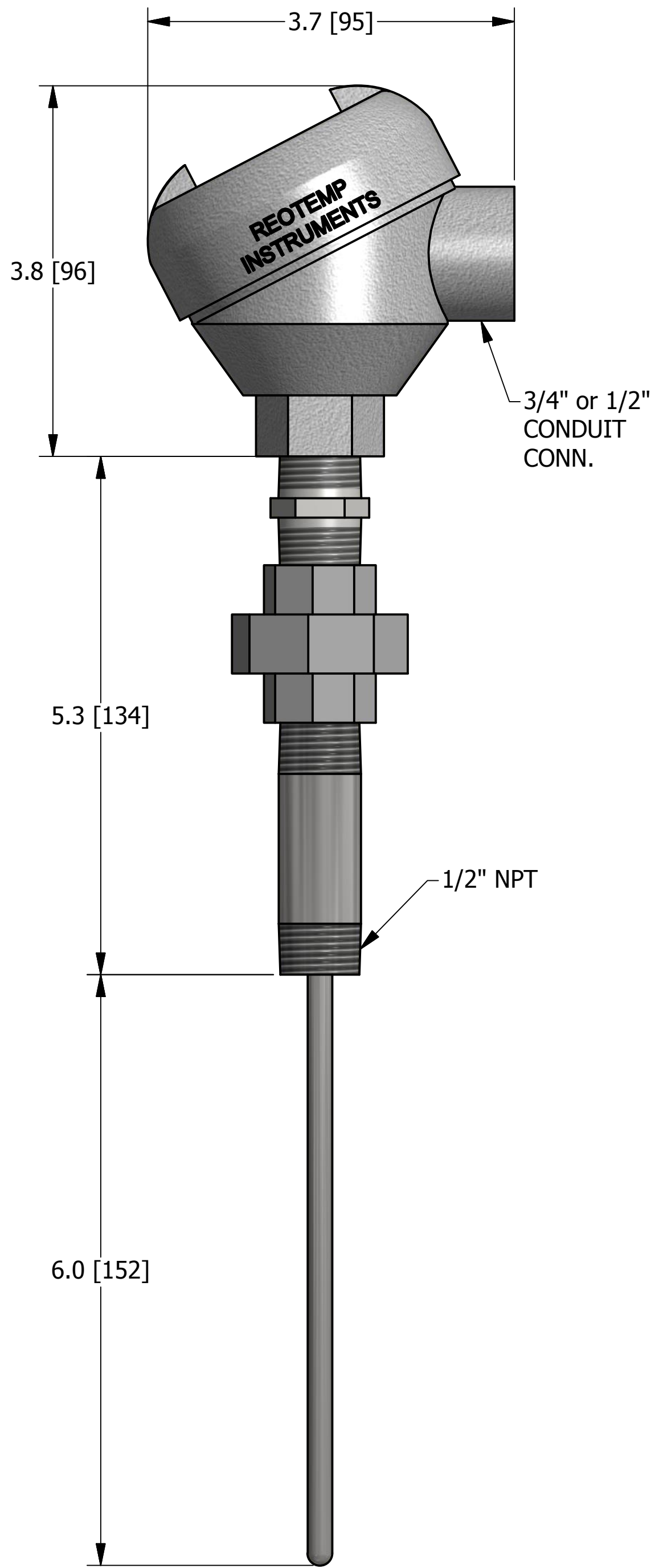


CUSTOMER'S NAME:	
CUSTOMER'S P.O. NO.:	
REOTEMP ORDER NO.:	
CERTIFIED BY:	DATE:



REVISIONS			
REV	DESCRIPTION	DATE	APPROVED
X1	INITIAL RELEASE	8/10/15	

NOTE 1	UNLESS OTHERWISE SPECIFIED DIMENSIONS ARE IN INCHES & [mm] TOLERANCES ARE: FRACTIONS .X ± .2 ±5' DECIMALS .XX ± .01 XXX ± .005 SURFACE FINISH 63√	PART NAME:		DATE:	
NOTE 2		CAST ALUMINUM HEAD WITH NIPPLE-UNION-NIPPLE CONNECTION		DRAWN BY: MNeill	
NOTE 3				APPROVED:	
NOTE 4	PART NO:	SIZE: C	CAGE CODE: 24793	DWG NO:	REV: X1
NOTE 5	FIRST USED ON:	SCALE: NTS	FILE NAME:	SHEET 1 OF 1	