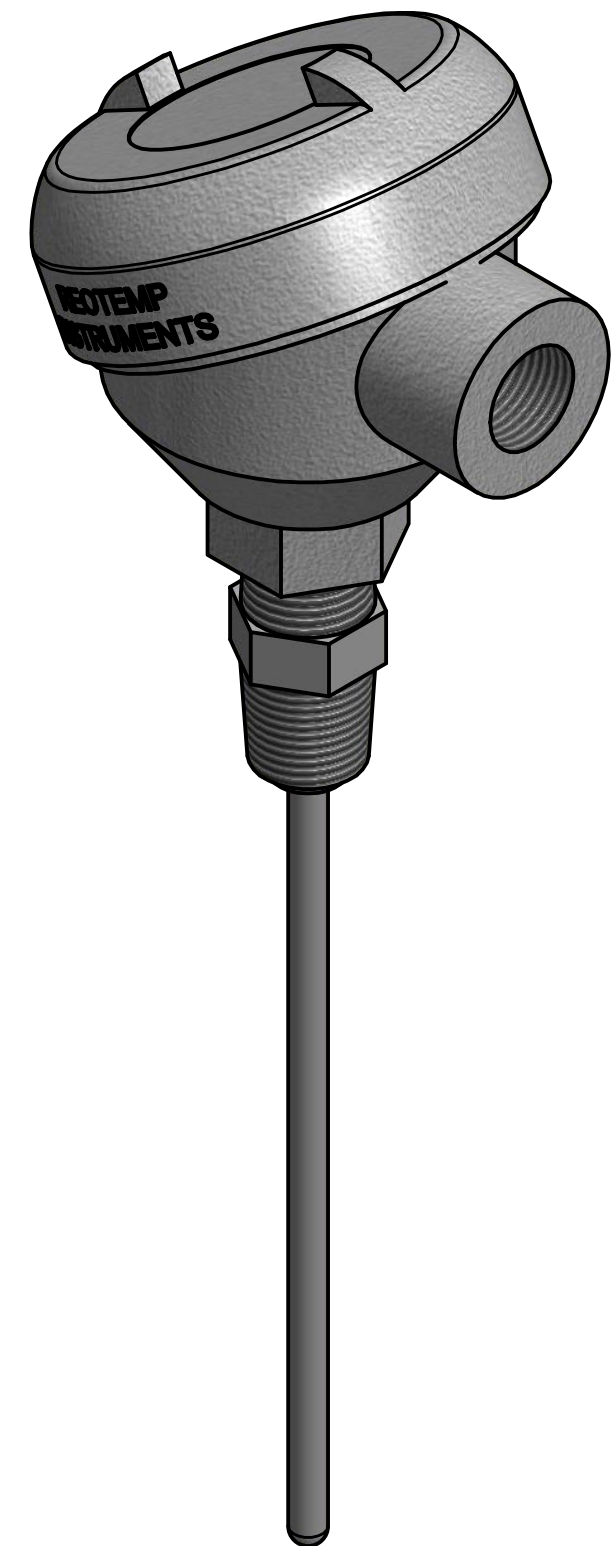
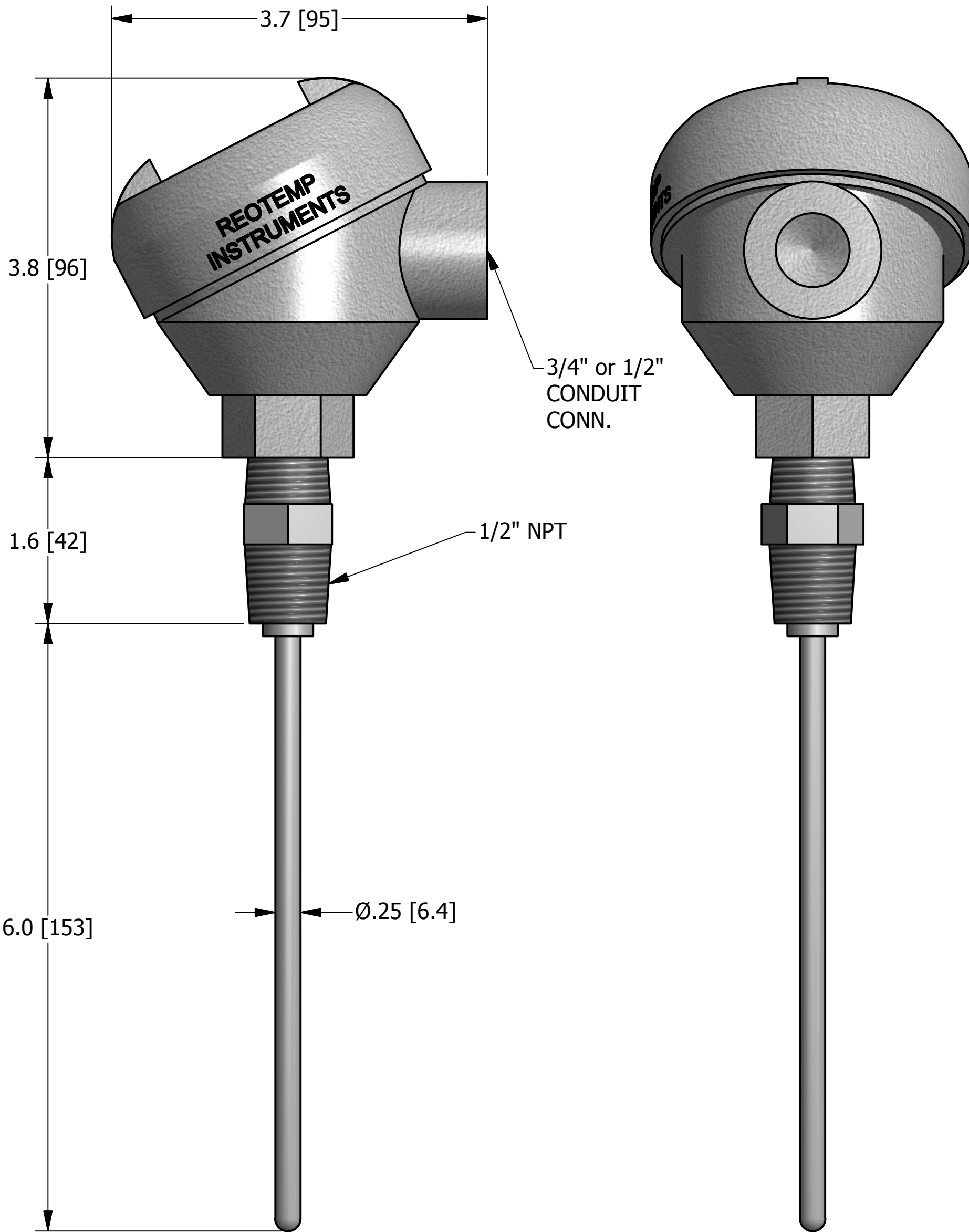


| | |
|----------------------|-------|
| CUSTOMER'S NAME: | |
| CUSTOMER'S P.O. NO.: | |
| REOTEMP ORDER NO.: | |
| CERTIFIED BY: | DATE: |



| REVISIONS | | | |
|-----------|-----------------|---------|----------|
| REV | DESCRIPTION | DATE | APPROVED |
| X1 | INITIAL RELEASE | 8/10/15 | |

| | | | | |
|--------|---|--|---------------------|---------------------|
| NOTE 1 | UNLESS OTHERWISE SPECIFIED DIMENSIONS ARE IN INCHES & [mm] TOLERANCES ARE: FRACTIONS DECIMALS ANGLES ±1/32 .X ± .2 ±5' .XX ± .01 .XXX ± .005 SURFACE FINISH 63√ | PART NAME: CAST ALUMINUM HEAD WITH SPRING LOADED FITTING | | DATE: 8/10/15 |
| NOTE 2 | | | | DRAWN BY: MNeill |
| NOTE 3 | | | | APPROVED: |
| NOTE 4 | PART NO: | SIZE: C | CAGE CODE: 24793 | DWG NO: |
| NOTE 5 | FIRST USED ON: | SCALE: NTS | FILE NAME: | REV: X1 |
| | | | | SHEET 1 OF 1 |