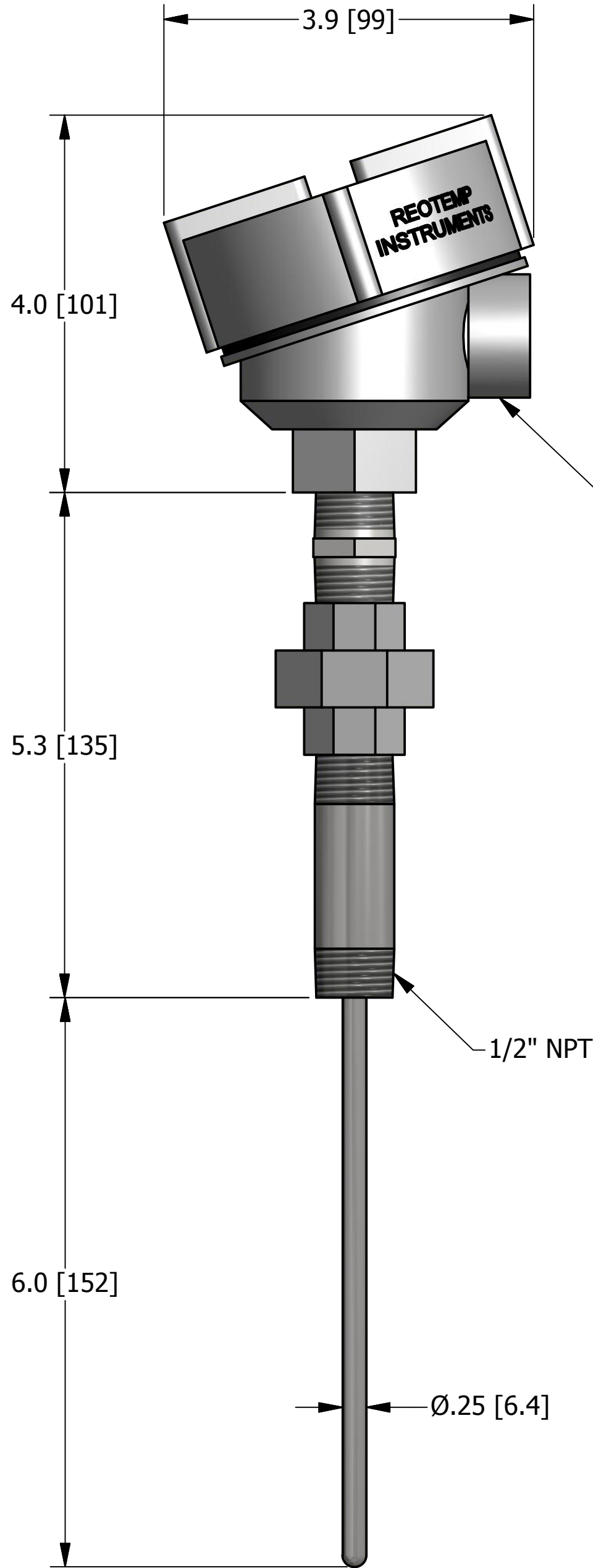


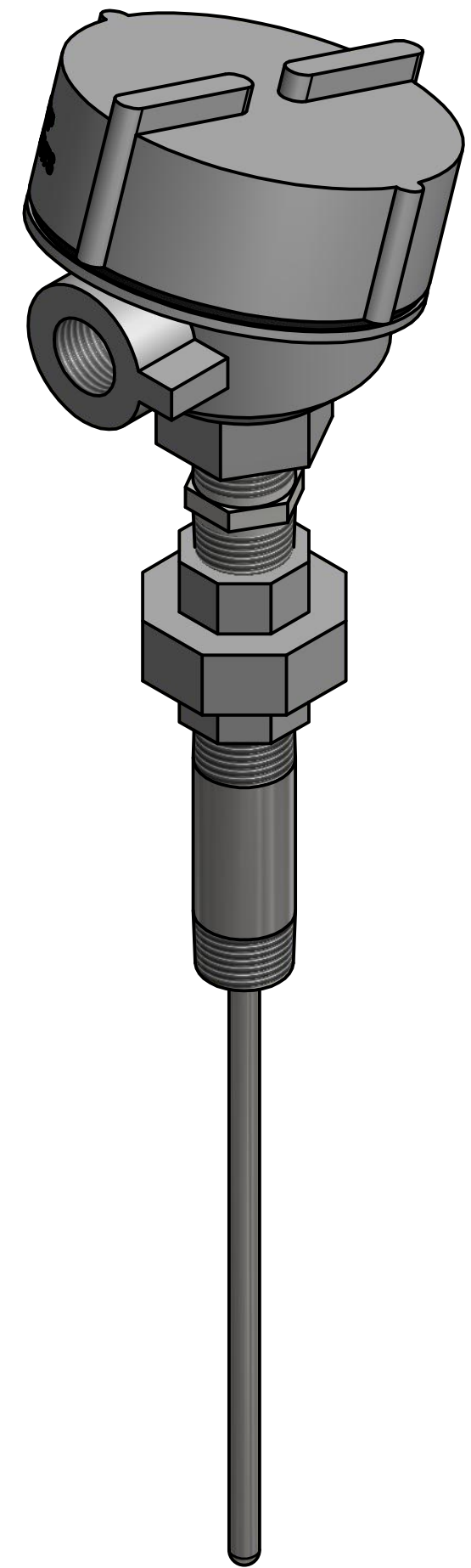
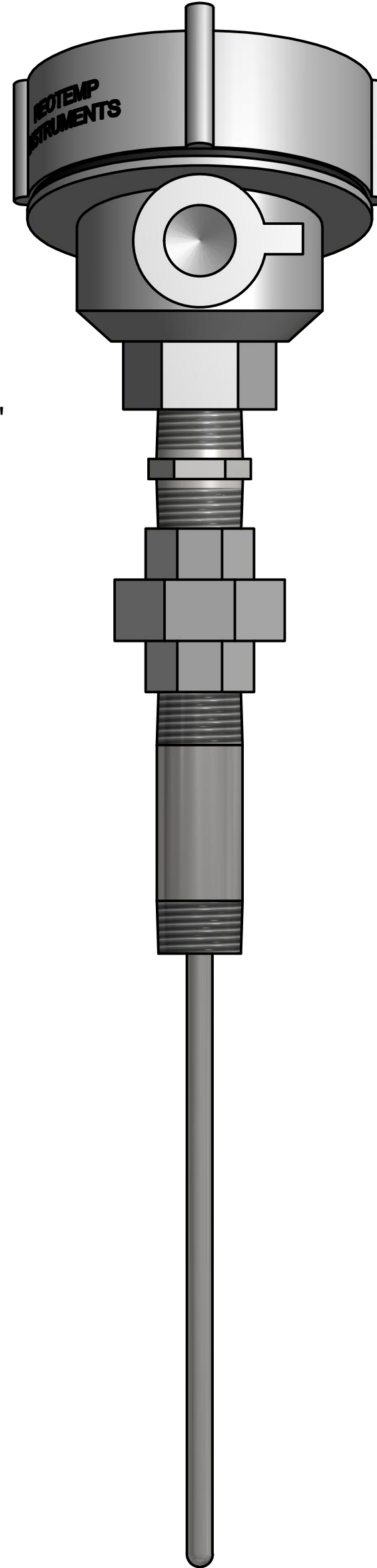
CUSTOMER'S NAME:	
CUSTOMER'S P.O. NO.:	
REOTEMP ORDER NO.:	
CERTIFIED BY:	DATE:



3/4" or 1/2"
CONDUIT
CONN.

1/2" NPT

Ø.25 [6.4]



REVISIONS

REV	DESCRIPTION	DATE	APPROVED
X1	INITIAL RELEASE	8/10/15	

NOTE 1

NOTE 2

NOTE 3

NOTE 4

NOTE 5

UNLESS OTHERWISE SPECIFIED
DIMENSIONS ARE IN INCHES & [mm]
TOLERANCES ARE:

FRACTIONS DECIMALS ANGLES
±1/32 .X ± .2 ±5°
.XX ± .01
.XXX ± .005

SURFACE FINISH 63√

PART NO:

FIRST USED ON:

PART NAME:

**EXPLOSION PROOF HEAD WITH
NIPPLE-UNION-NIPPLE CONNECTION**

SIZE:
C

CAGE CODE:
24793

DWG NO:

SCALE: NTS

FILE NAME:

DATE:
8/10/15

DRAWN BY:
MNeill

APPROVED:

REV:
X1

SHEET 1 OF 1