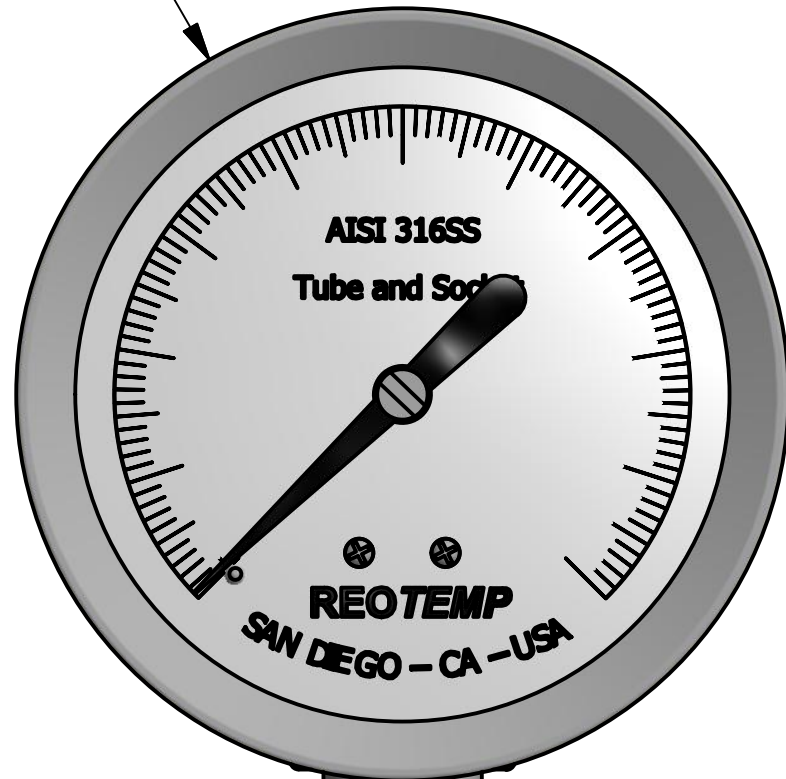


CUSTOMER'S NAME:	
CUSTOMER'S P.O. NO.:	
REOTEMP ORDER NO.:	
CERTIFIED BY:	DATE:

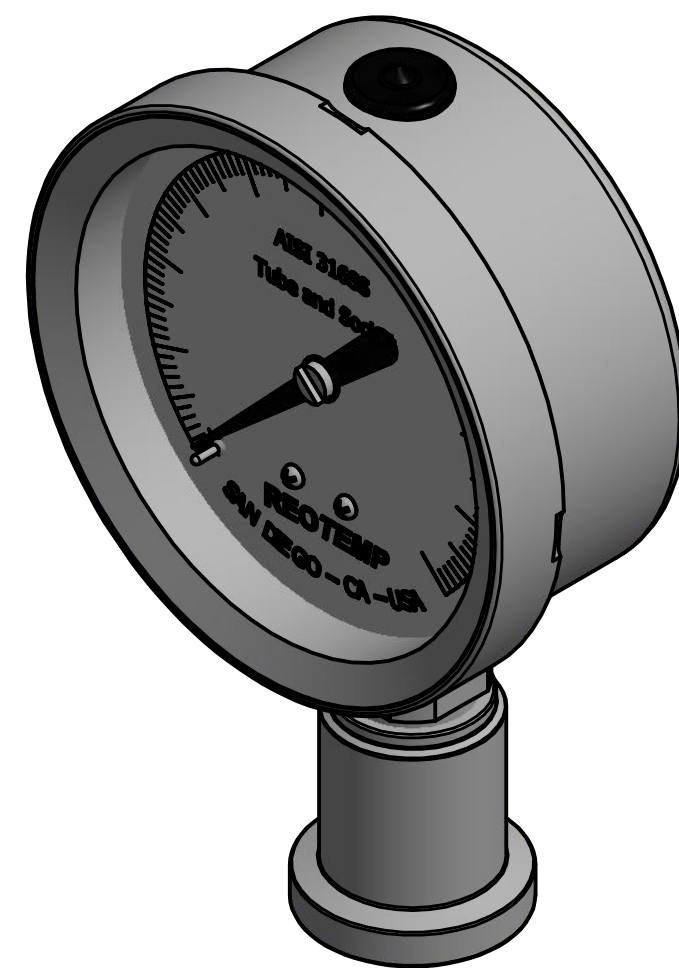
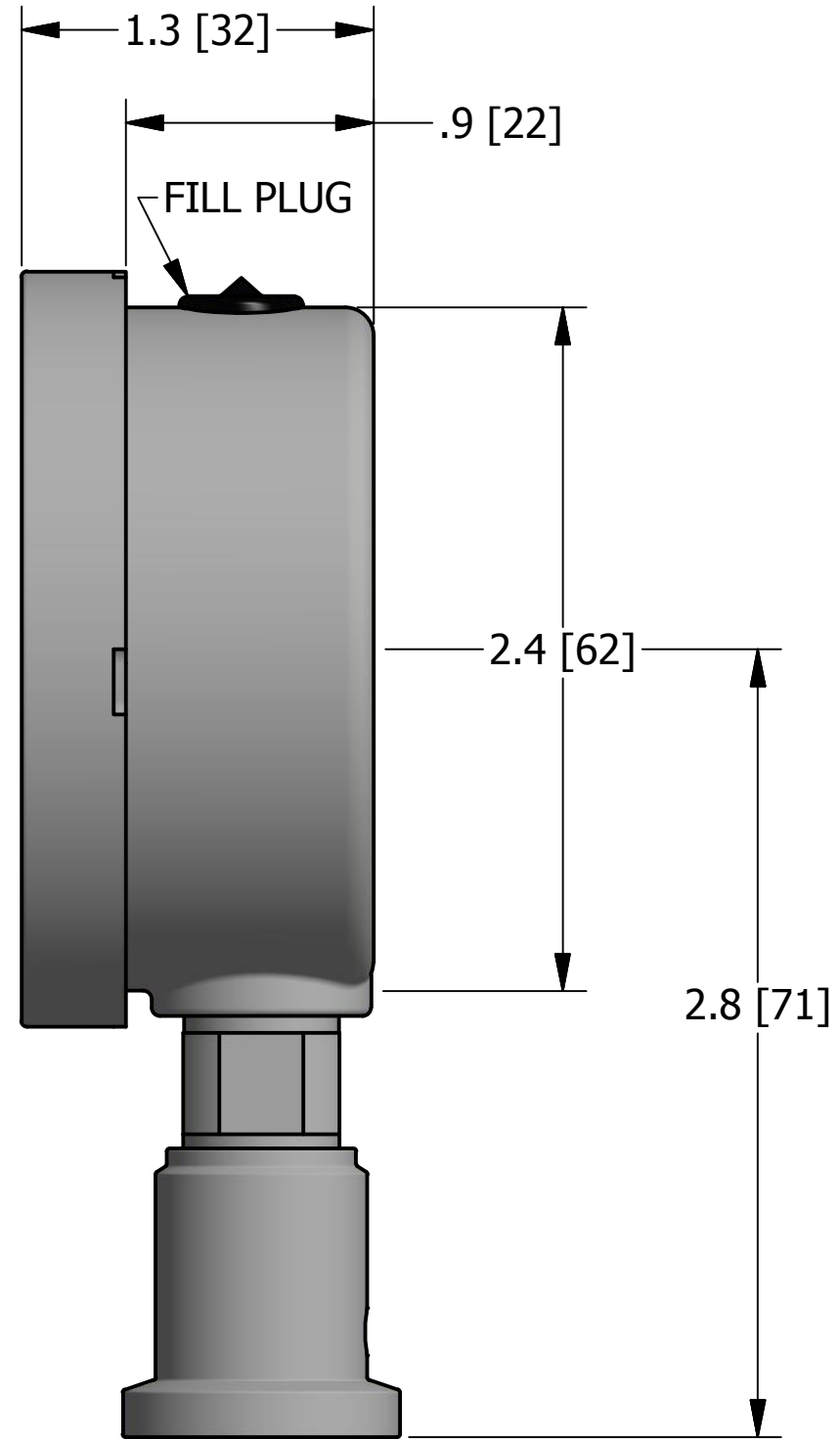
Ø2.7 [68]



9/16" SQUARE NUT

.98 [25]

3/4" TRICLAMP



REVISIONS

REV	DESCRIPTION	DATE	APPROVED
X1	INITIAL RELEASE	8/7/15	

NOTE 1

NOTE 2

NOTE 3

NOTE 4

NOTE 5

UNLESS OTHERWISE SPECIFIED
DIMENSIONS ARE IN INCHES & [mm]
TOLERANCES ARE:

FRACTIONS	DECIMALS	ANGLES
±1/32	.X ± .2	±5°
	.XX ± .01	
	.XXX ± .005	

SURFACE FINISH 63√

PART NO:

FIRST USED ON:

PART NAME:

SG25 3/4" TRICLAMP

SIZE:

C

CAGE CODE:

24793

DWG NO:

FILE NAME:

DATE:
8/7/15

DRAWN BY:
MNeill

APPROVED:

REV:

X1

SCALE: NTS

SHEET 1 OF 1