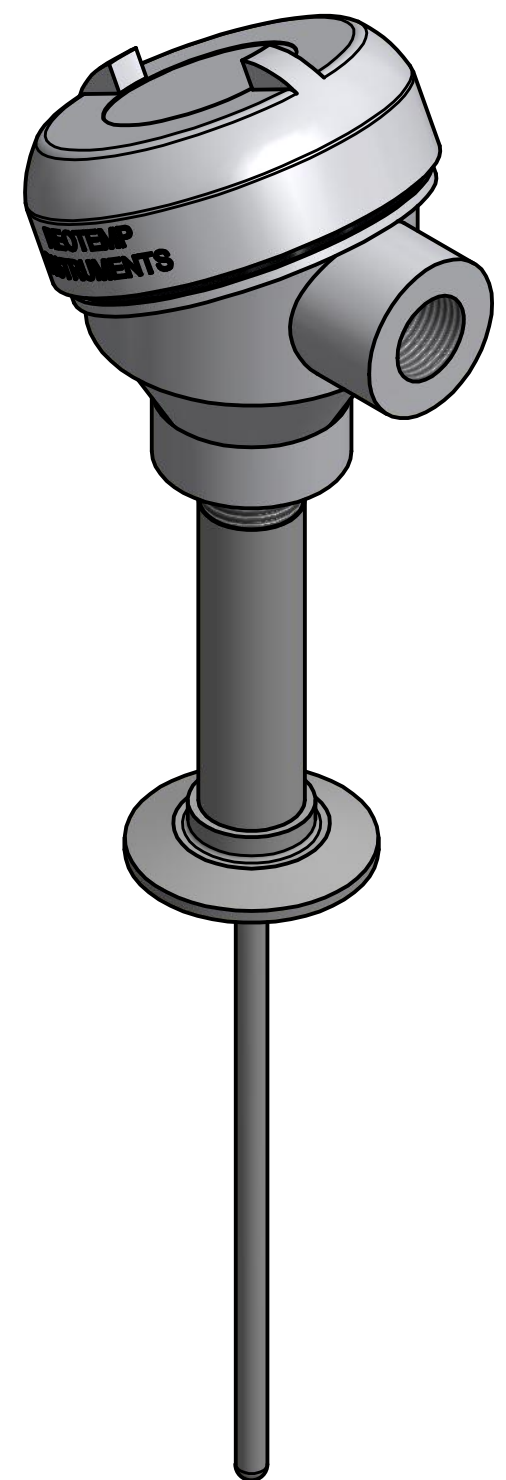
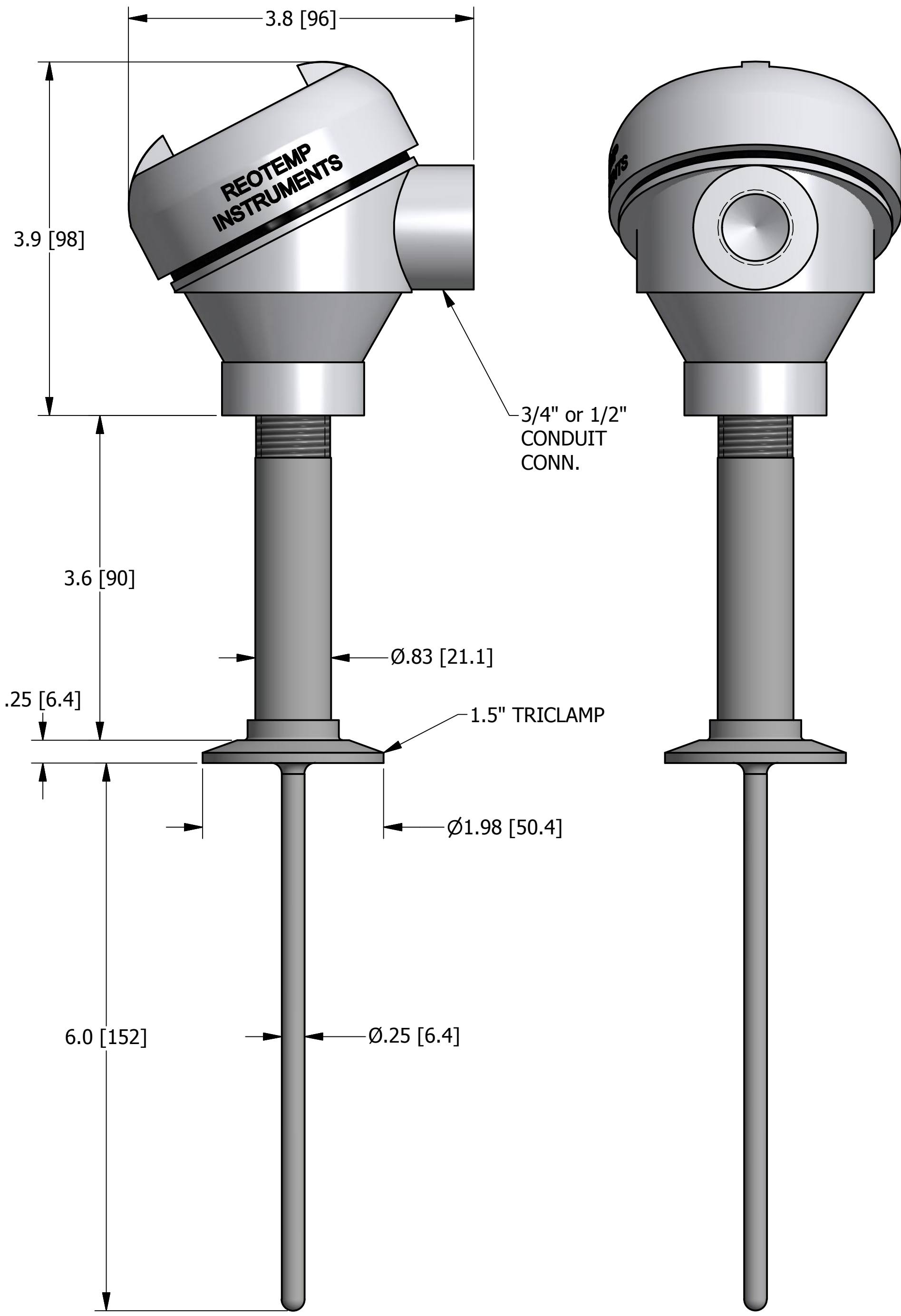


CUSTOMER'S NAME:	
CUSTOMER'S P.O. NO.:	
REOTEMP ORDER NO.:	
CERTIFIED BY:	DATE:



REVISIONS			
REV	DESCRIPTION	DATE	APPROVED
X1	INITIAL RELEASE	8/11/15	

NOTE 1	UNLESS OTHERWISE SPECIFIED DIMENSIONS ARE IN INCHES & [mm] TOLERANCES ARE: FRACTIONS ±1/32    DECIMALS .X ± .2    ANGLES ±5' .XX ± .01 .XXX ± .005 SURFACE FINISH 63√	PART NAME: <b>HEAD ASSEMBLY, 1.5" TRICLAMP</b>		DATE: 8/11/15	
NOTE 2				DRAWN BY: MNeill	
NOTE 3				APPROVED:	
NOTE 4	PART NO:	SIZE: C	CAGE CODE: 24793	DWG NO:	REV: X1
NOTE 5	FIRST USED ON:	SCALE: NTS	FILE NAME:	SHEET 1 OF 1	