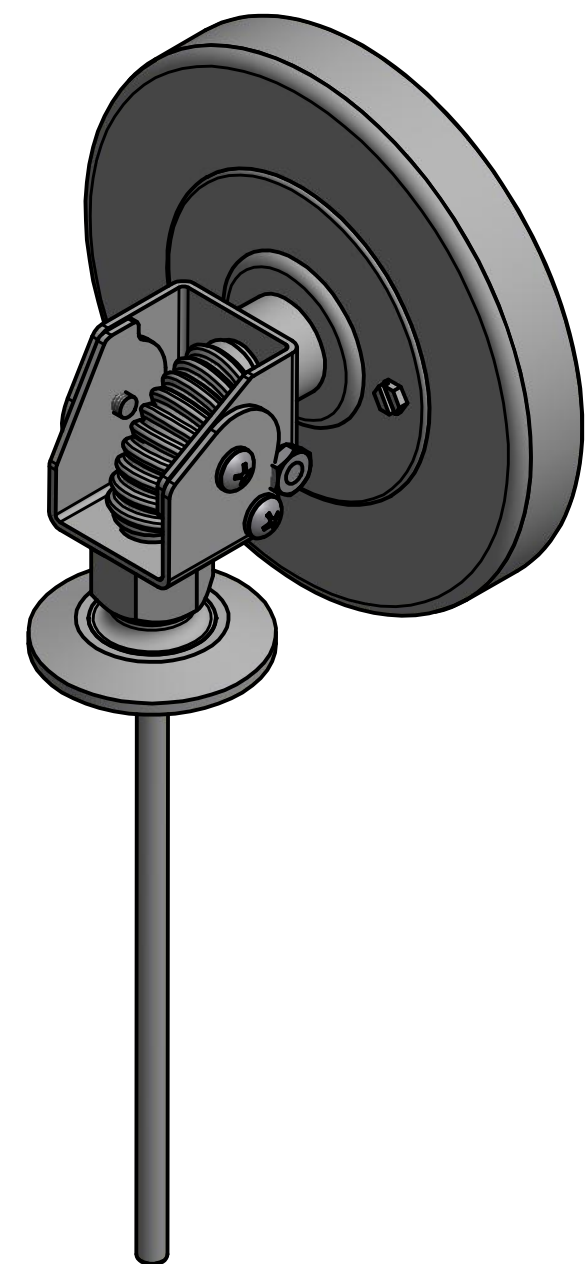
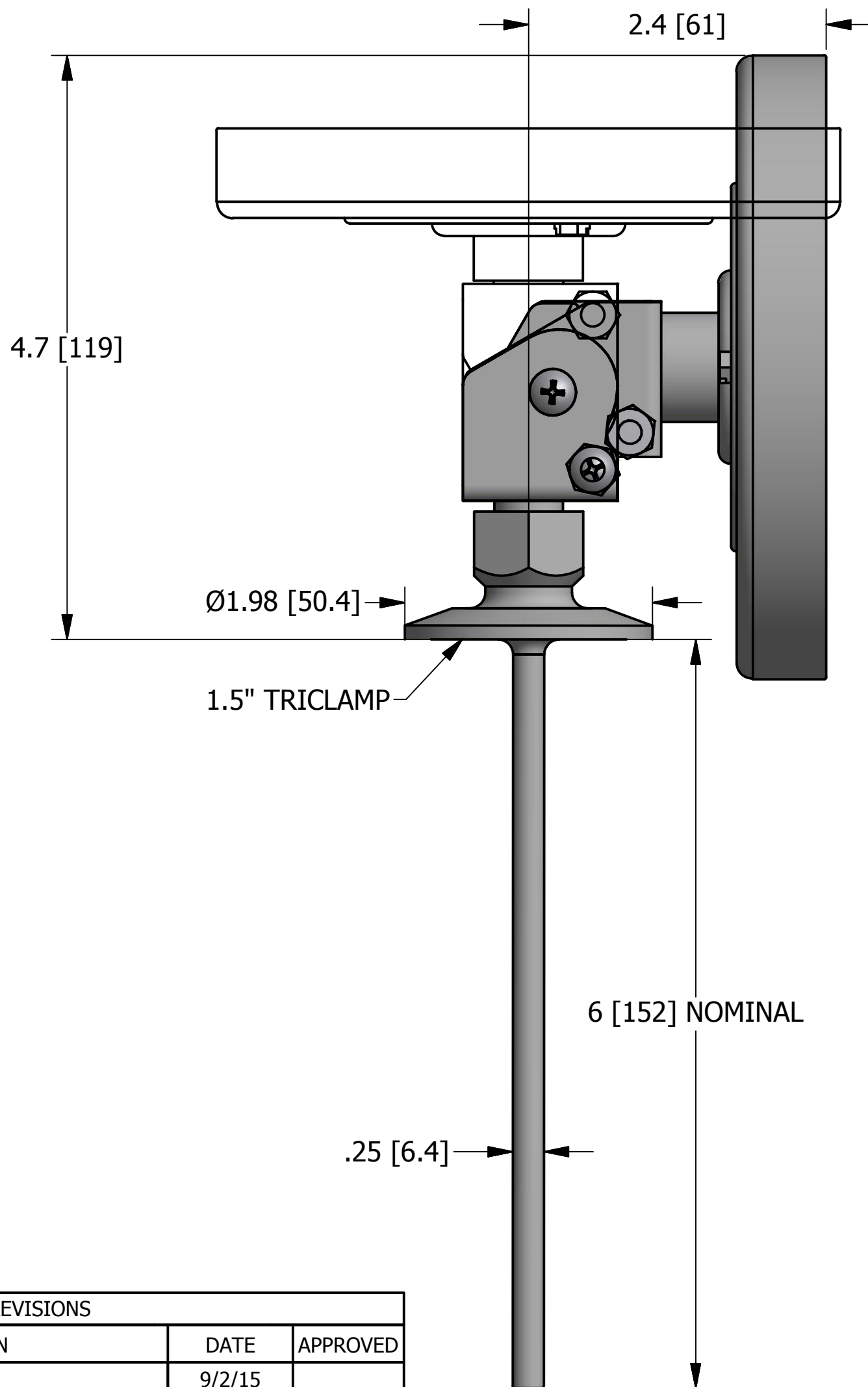
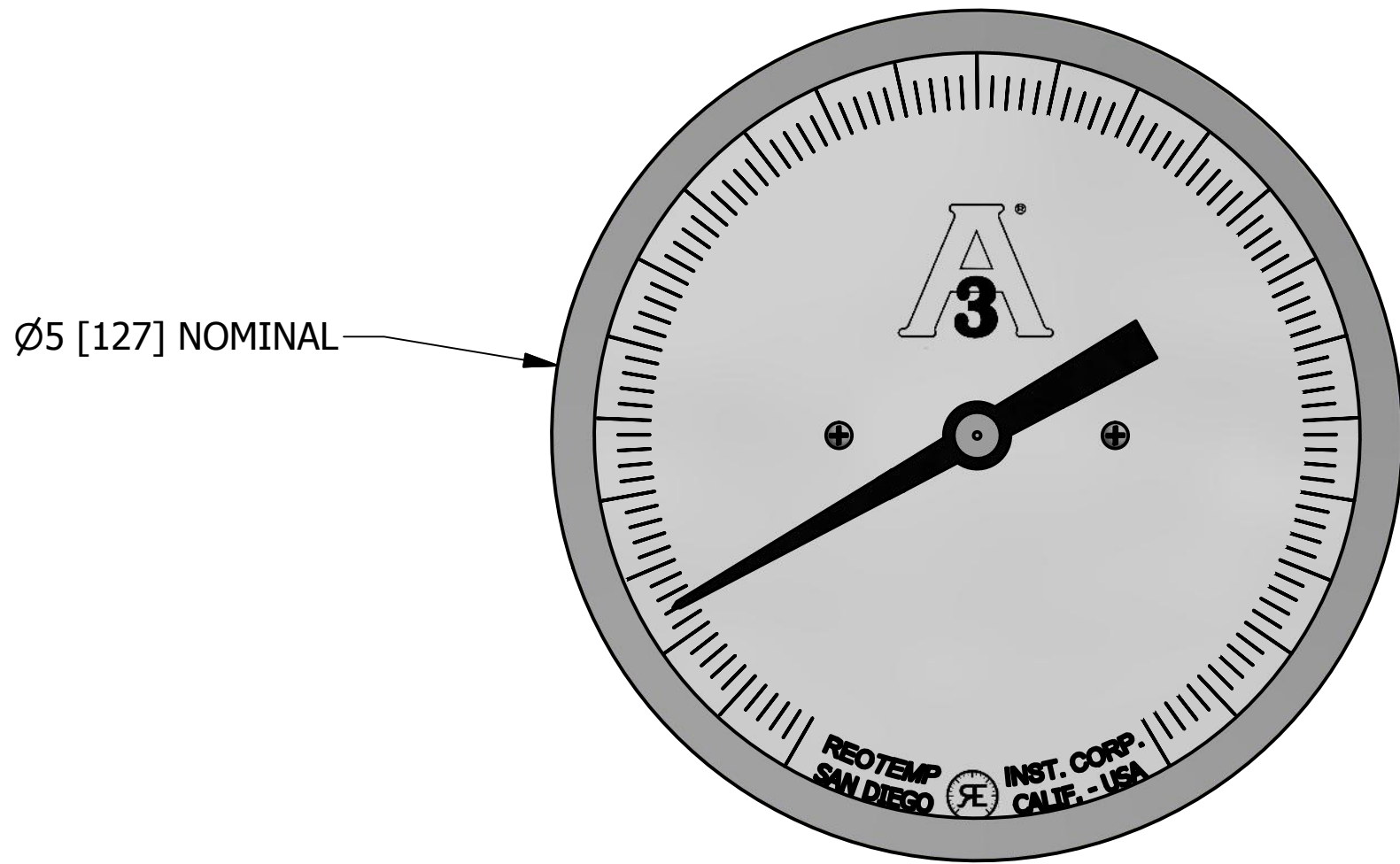


CUSTOMER'S NAME:	
CUSTOMER'S P.O. NO.:	
REOTEMP ORDER NO.:	
CERTIFIED BY:	DATE:



REVISIONS			
REV	DESCRIPTION	DATE	APPROVED
A	INITIAL RELEASE	9/2/15	

WETTED MATERIAL: 316/316L STAINLESS STEEL		UNLESS OTHERWISE SPECIFIED DIMENSIONS ARE IN INCHES & [mm] TOLERANCES ARE:		PART NAME:		DATE:	
NOTE 2		FRACTIONS .X ± .2 ±5°		5" ADJUSTABLE ANGLE W/ RESET, 1.5" TRICLAMP, Ø1/4" x 6" STEM		9/2/15	
NOTE 3		DECIMALS .XX ± .01		SIZE: C		DRAWN BY: MNeill	
NOTE 4		ANGLES .XXX ± .005		CAGE CODE: 24793		APPROVED:	
NOTE 5		SURFACE FINISH 63√		DWG NO:		REV: A	
		PART NO: JJ050C		SCALE: NTS		SHEET 1 OF 1	
		FIRST USED ON:		FILE NAME:			