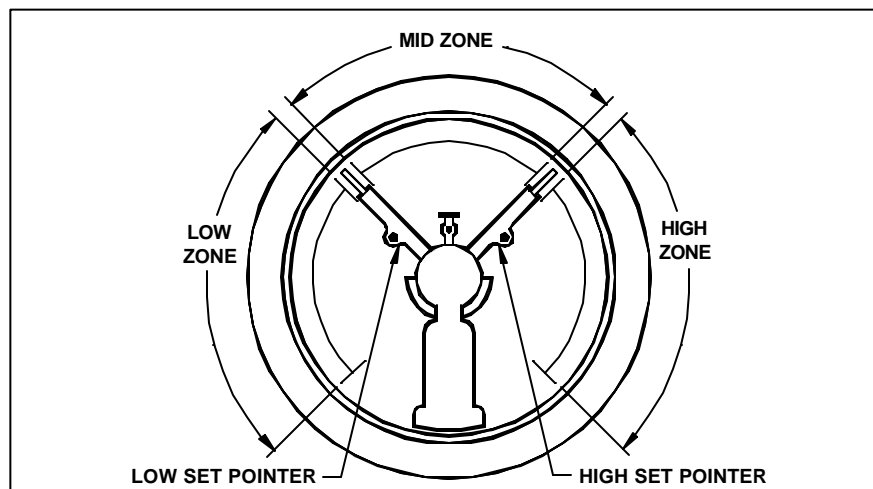


Instructions for Limit Switches for 4 inch and 4 ½ inch Dial Gauges



Instructions for PXEM21 –40 (4 inch Dial)

Plug cable into receptacle on top of switch dome. Hook up cable wires per Table 1.
To Set Points: Use key to depress set arm. Move high and low set pointer to desired location.

Table 1 Switch Action (4 inch Dial) – PXEM21 – 40

Common = Brown Ground = Yel/Grn	Low Zone	Mid Zone	High Zone	Action
Blue and Brown wire	ON	OFF	OFF	Opens on rise at Low set point
Black and Brown wire	OFF	OFF	ON	Closes on rise at High set Point

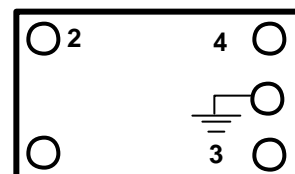
Instructions for PXEM21 –45 (4 ½ inch Dial)

Remove cable gland/terminal cover. Run cable through gland and wire per Table 2. Replace cable gland/terminal cover.

To Set Points: Use key to depress set arm. Move high and low set pointer to desired location.

Table 2 Switch Action (4 ½ inch Dial) – PXEM21 – 45

Common = Term. 4	Low Zone	Mid Zone	High Zone	Action
Term. 2 and Term. 4	ON	OFF	OFF	Opens on rise at Low set point
Term. 3 and Term. 4	OFF	OFF	ON	Closes on rise at High set Point



Layout of terminals for
4 ½ inch Dial

Contact Loads			
Voltage	Recommended Load		
	Resistive		Inductive
	DC mA	AC mA	AC mA
220	40	45	25
110	80	90	45
48	120	170	70
24	200	350	100

Maximum Load @ 250V = 0.6A

For larger loads or to reverse action of switches, use of a relay is recommended.



10656 Roselle Street, San Diego, CA 92121 Phone: (800) 648-7737 FAX: (858) 784-0720