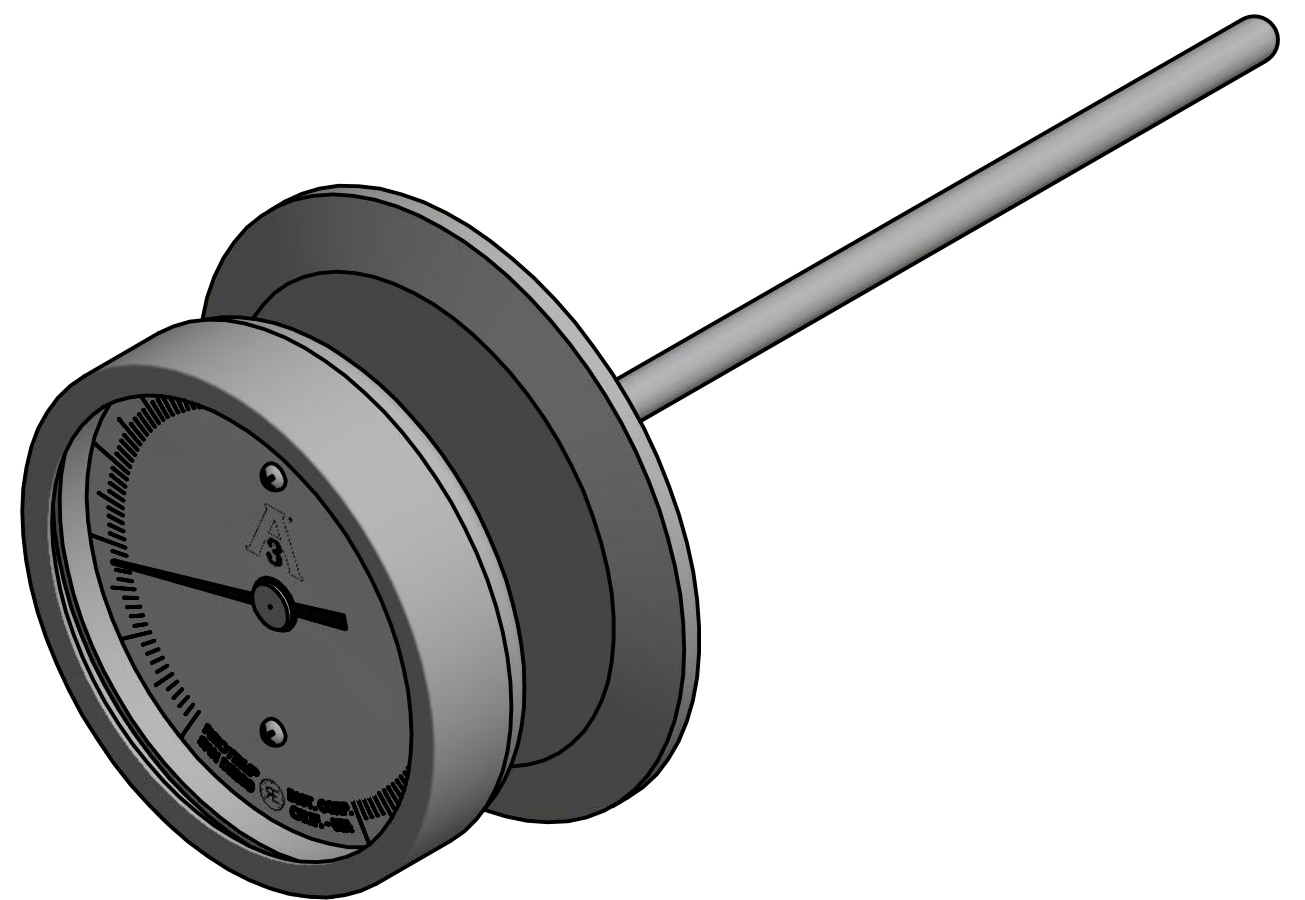
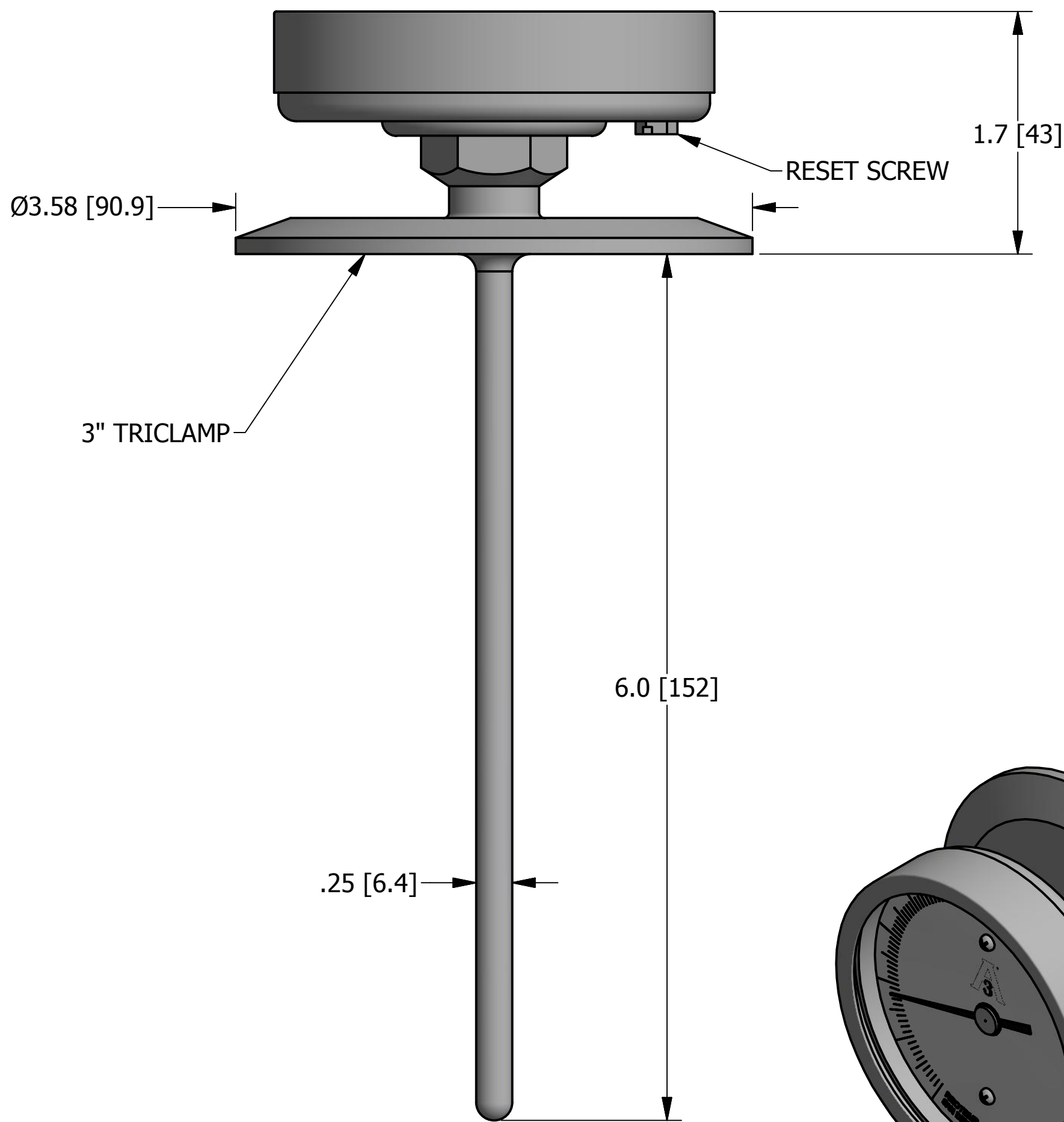
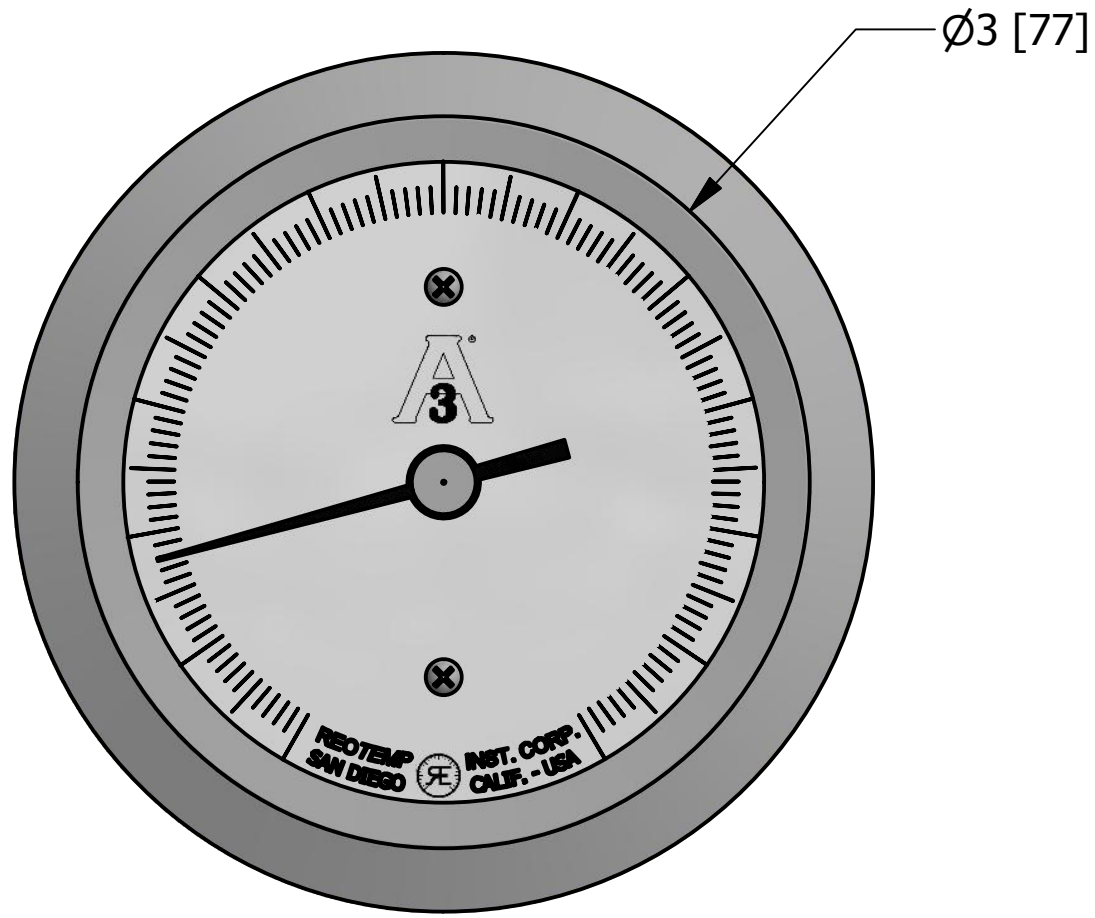


CUSTOMER'S NAME:	
CUSTOMER'S P.O. NO.:	
REOTEMP ORDER NO.:	
CERTIFIED BY:	DATE:



REVISIONS			
REV	DESCRIPTION	DATE	APPROVED
A	INITIAL RELEASE	9/2/15	

WETTED MATERIAL: 316/316L STAINLESS STEEL		UNLESS OTHERWISE SPECIFIED DIMENSIONS ARE IN INCHES & [mm] TOLERANCES ARE:		PART NAME:		DATE:	
NOTE 2		FRACTIONS ±1/32		3" BACK CONNECT W/ RESET, 3" TRICLAMP, Ø1/4" x 6" STEM		9/2/15	
NOTE 3		DECIMALS .X ± .2		SIZE:		DRAWN BY:	
NOTE 4		ANGLES ±5°		C		MNeill	
NOTE 5		SURFACE FINISH 63√		CAGE CODE:		APPROVED:	
		PART NO: AA060P		24793			
		FIRST USED ON:		DWG NO:		REV: A	
				SCALE: NTS		SHEET 1 OF 1	
				FILE NAME:			