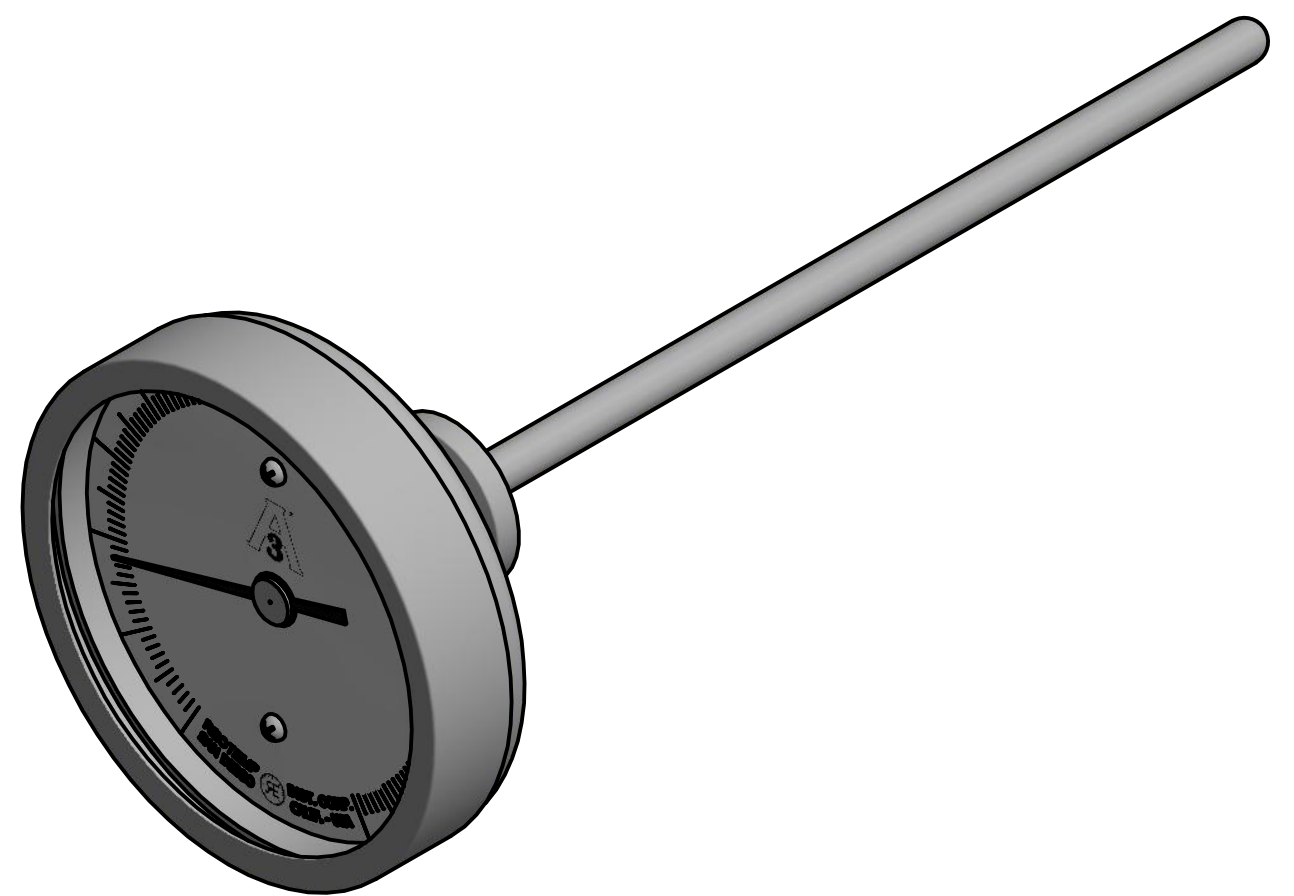
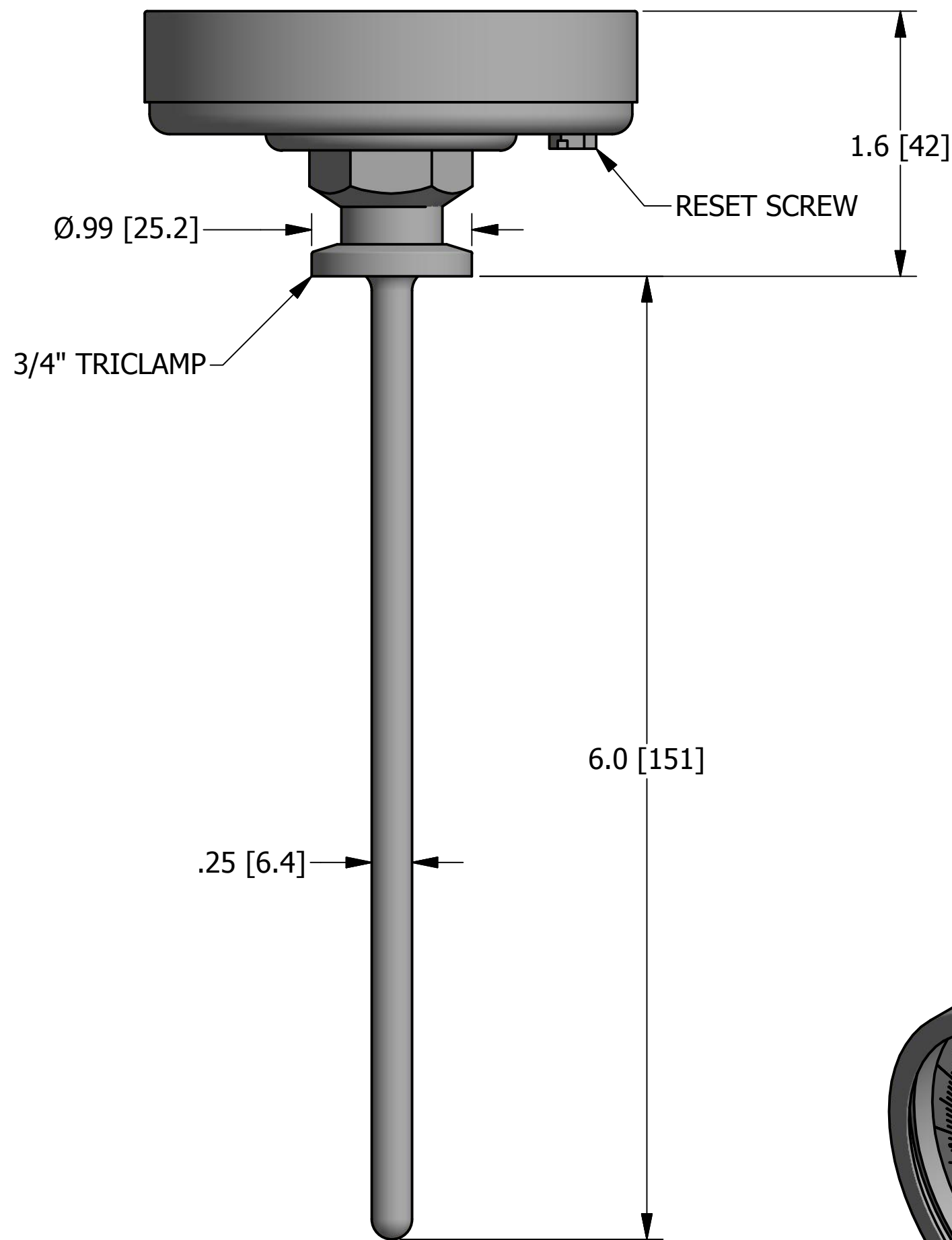
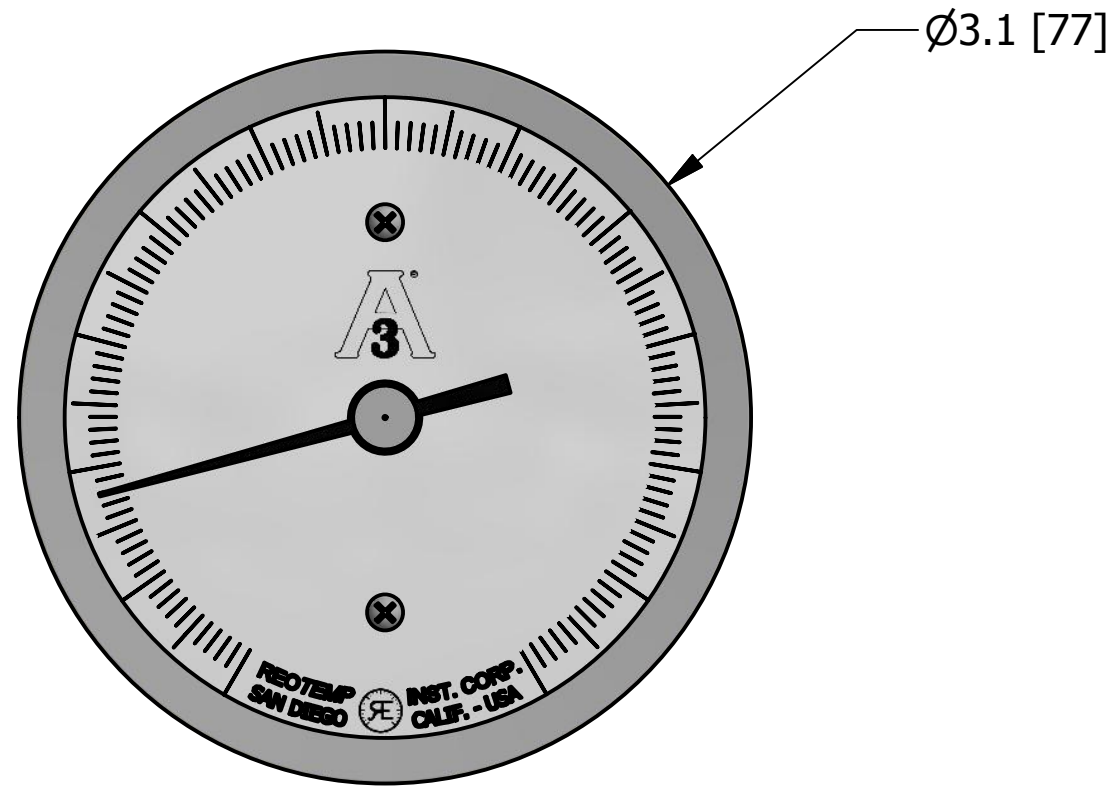


| | |
|----------------------|-------|
| CUSTOMER'S NAME: | |
| CUSTOMER'S P.O. NO.: | |
| REOTEMP ORDER NO.: | |
| CERTIFIED BY: | DATE: |



| REVISIONS | | | |
|-----------|-----------------|--------|----------|
| REV | DESCRIPTION | DATE | APPROVED |
| A | INITIAL RELEASE | 9/2/15 | |

| | | | | | | | |
|---|--|--|--|--|---------------------|---------------------|--|
| WETTED MATERIAL: 316/316L STAINLESS STEEL | | UNLESS OTHERWISE SPECIFIED DIMENSIONS ARE IN INCHES & [mm] TOLERANCES ARE: | | PART NAME: | | DATE: | |
| NOTE 2 | | FRACTIONS DECIMALS ANGLES ±1/32 .X ± .2 ±5' | | 3" BACK CONNECT W/ RESET, 3/4" TRICLAMP, Ø1/4" x 6" STEM | | 9/2/15 | |
| NOTE 3 | | SURFACE FINISH 63√ | | | | DRAWN BY: MNeill | |
| NOTE 4 | | PART NO: AA060M | | SIZE: C | CAGE CODE: 24793 | APPROVED: | |
| NOTE 5 | | FIRST USED ON: | | SCALE: NTS | | REV: A | |
| | | | | FILE NAME: | | SHEET 1 OF 1 | |