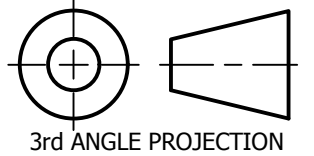


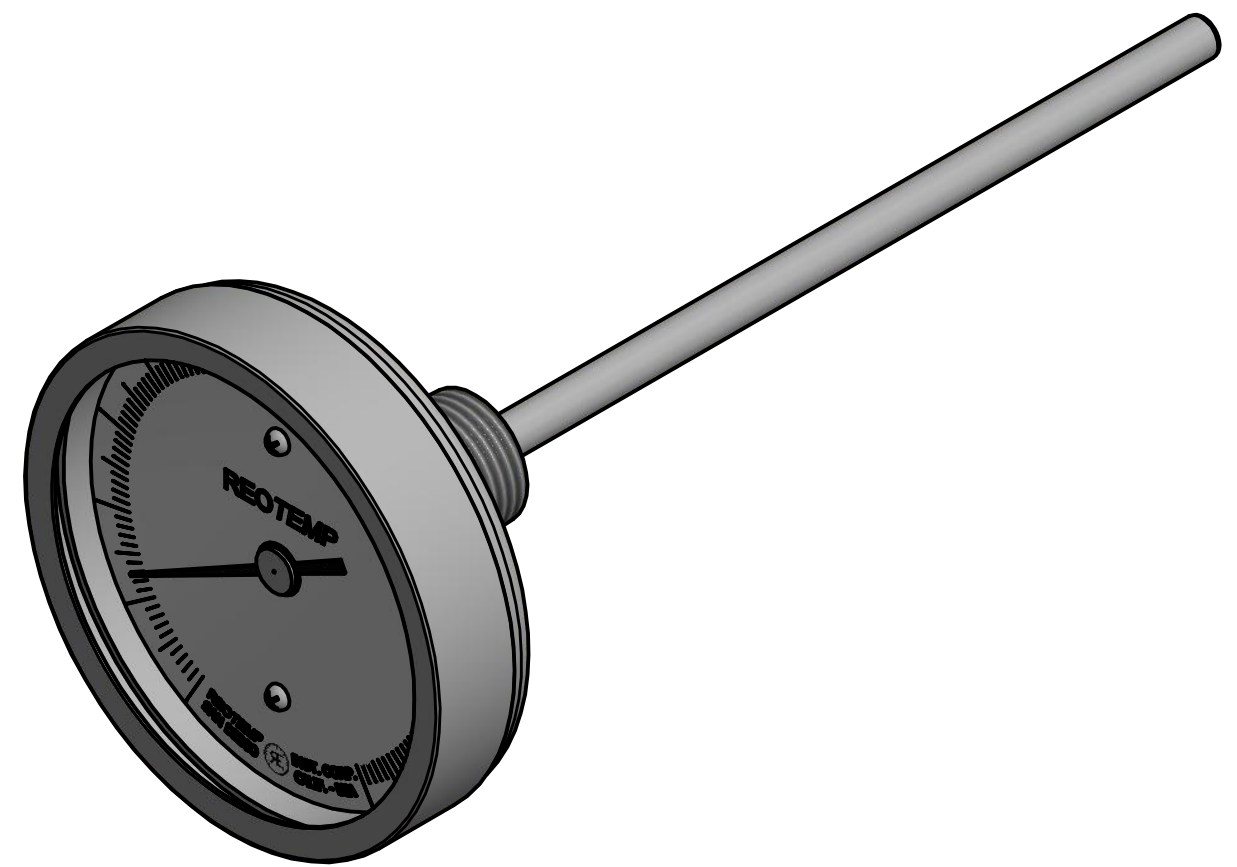
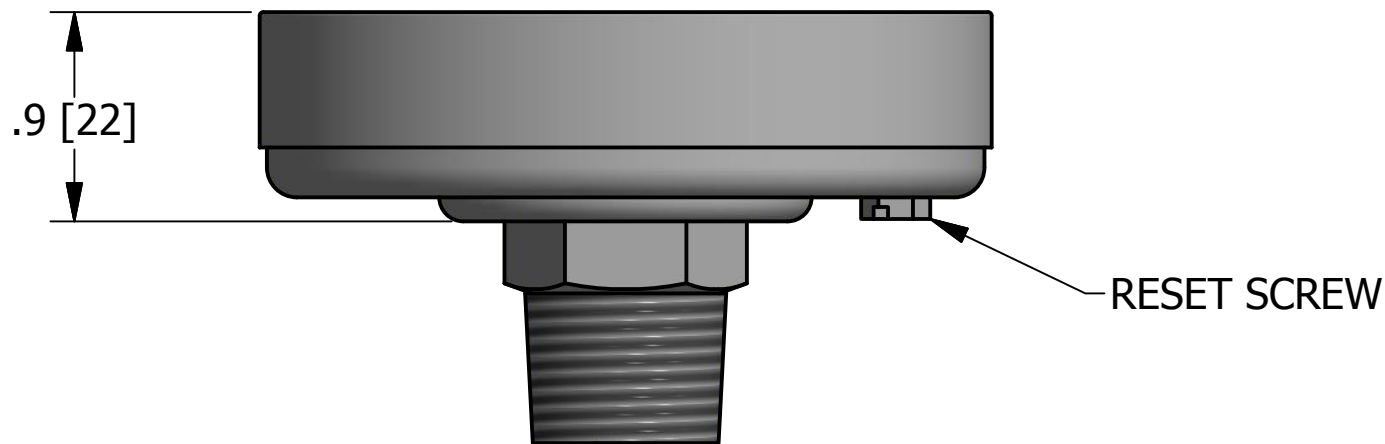
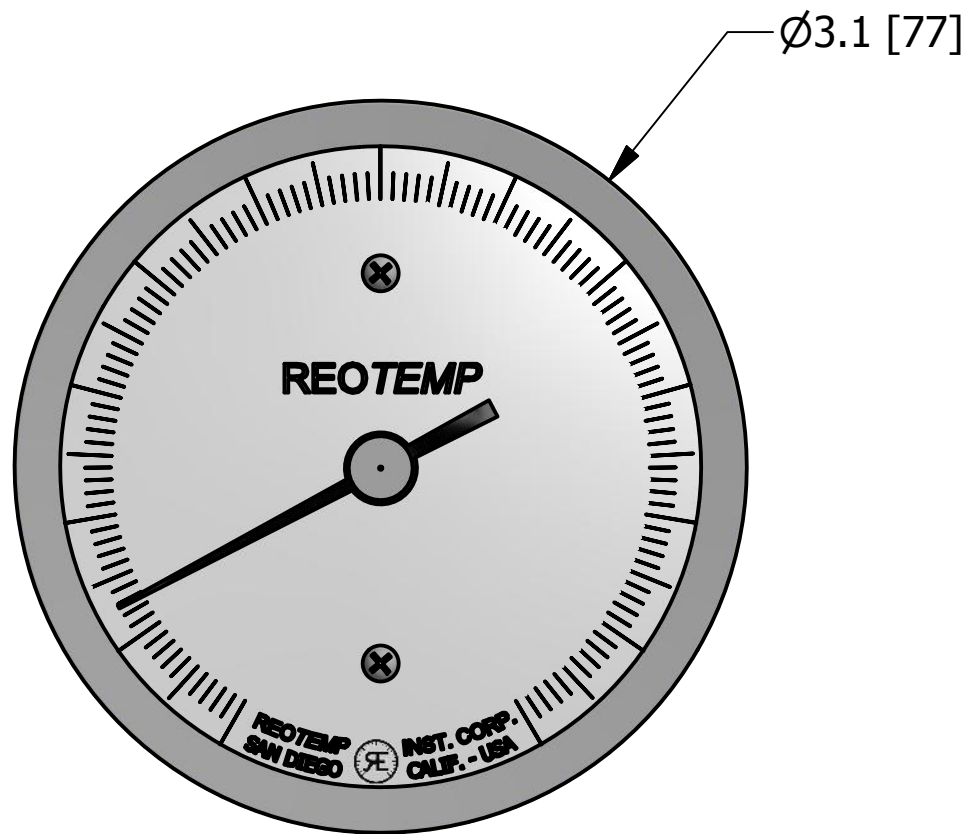


REOTEMP Instrument Corporation  
10656 Roselle Street  
San Diego, CA 92121 USA  
Phone: (858) 784-0710  
Fax: (858) 784-0720

THIS DRAWING AND SPECIFICATIONS ARE THE PROPERTY OF REOTEMP INSTRUMENT CORP., AND ARE ISSUED IN STRICT CONFIDENCE AND SHALL NOT BE REPRODUCED, COPIED OR USED AS THE BASIS FOR MANUFACTURE OR SALE OF ITEMS DEPICTED HEREIN WITHOUT WRITTEN PERMISSION FROM REOTEMP INSTRUMENT CORP.



CUSTOMER'S NAME:	
CUSTOMER'S P.O. NO.:	
REOTEMP ORDER NO.:	
CERTIFIED BY:	DATE:



REVISIONS			
REV	DESCRIPTION	DATE	APPROVED
A	INITIAL RELEASE	8/25/15	

NOTE 1	UNLESS OTHERWISE SPECIFIED DIMENSIONS ARE IN INCHES & [mm] TOLERANCES ARE: FRACTIONS    DECIMALS    ANGLES ±1/32        .X ± .2        ±5' .XX ± .01 .XXX ± .005 SURFACE FINISH    63√	PART NAME: <b>3" BACK CONNECT W/ RESET, 1/2" NPT, Ø1/4" x 6" STEM</b>		DATE: 8/25/15
NOTE 2				DRAWN BY: MNeill
NOTE 3				APPROVED:
NOTE 4	PART NO: AA0601	SIZE: C	CAGE CODE: 24793	DWG NO:
NOTE 5	FIRST USED ON:	SCALE: NTS	FILE NAME:	REV: A
			SHEET 1 OF 1	