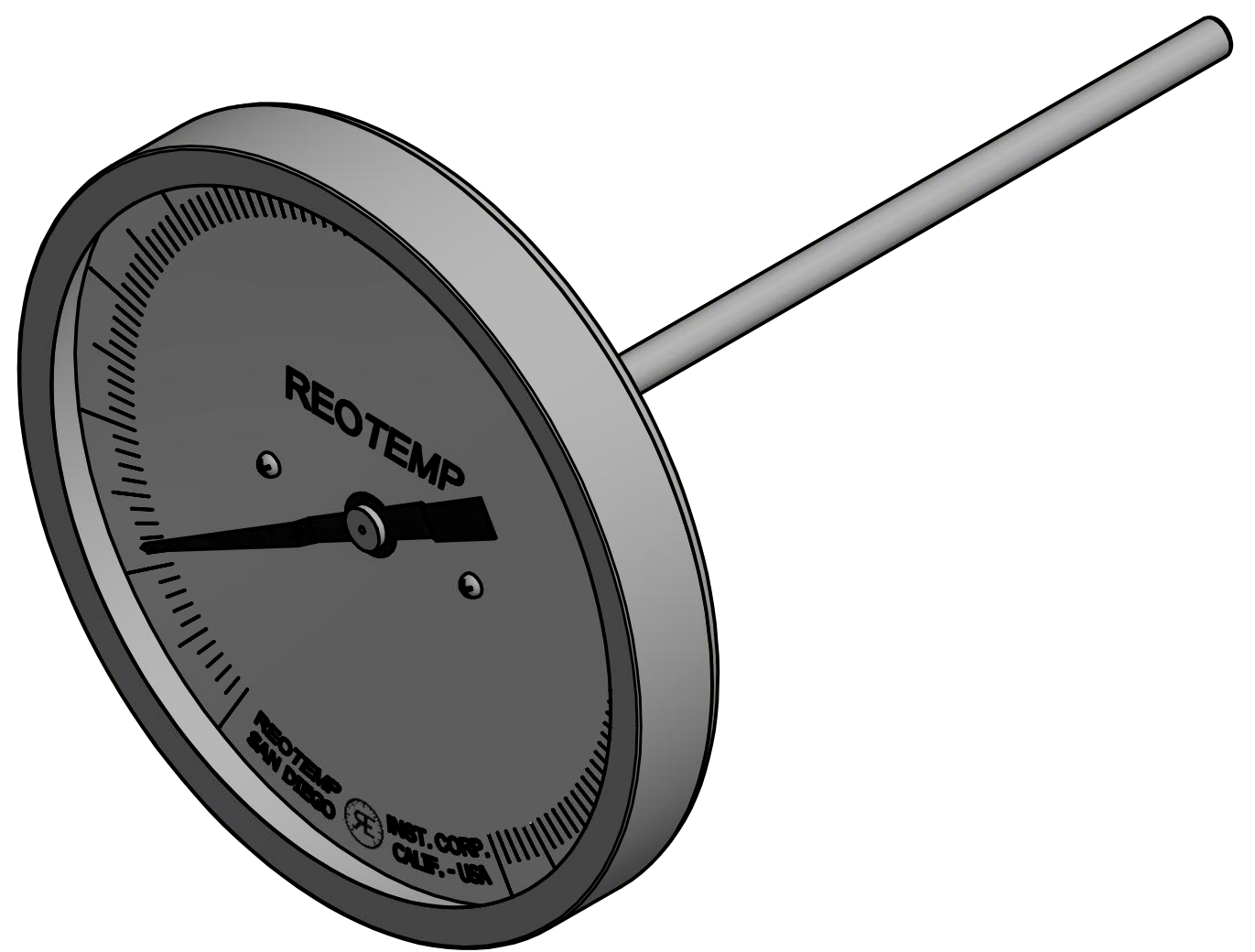
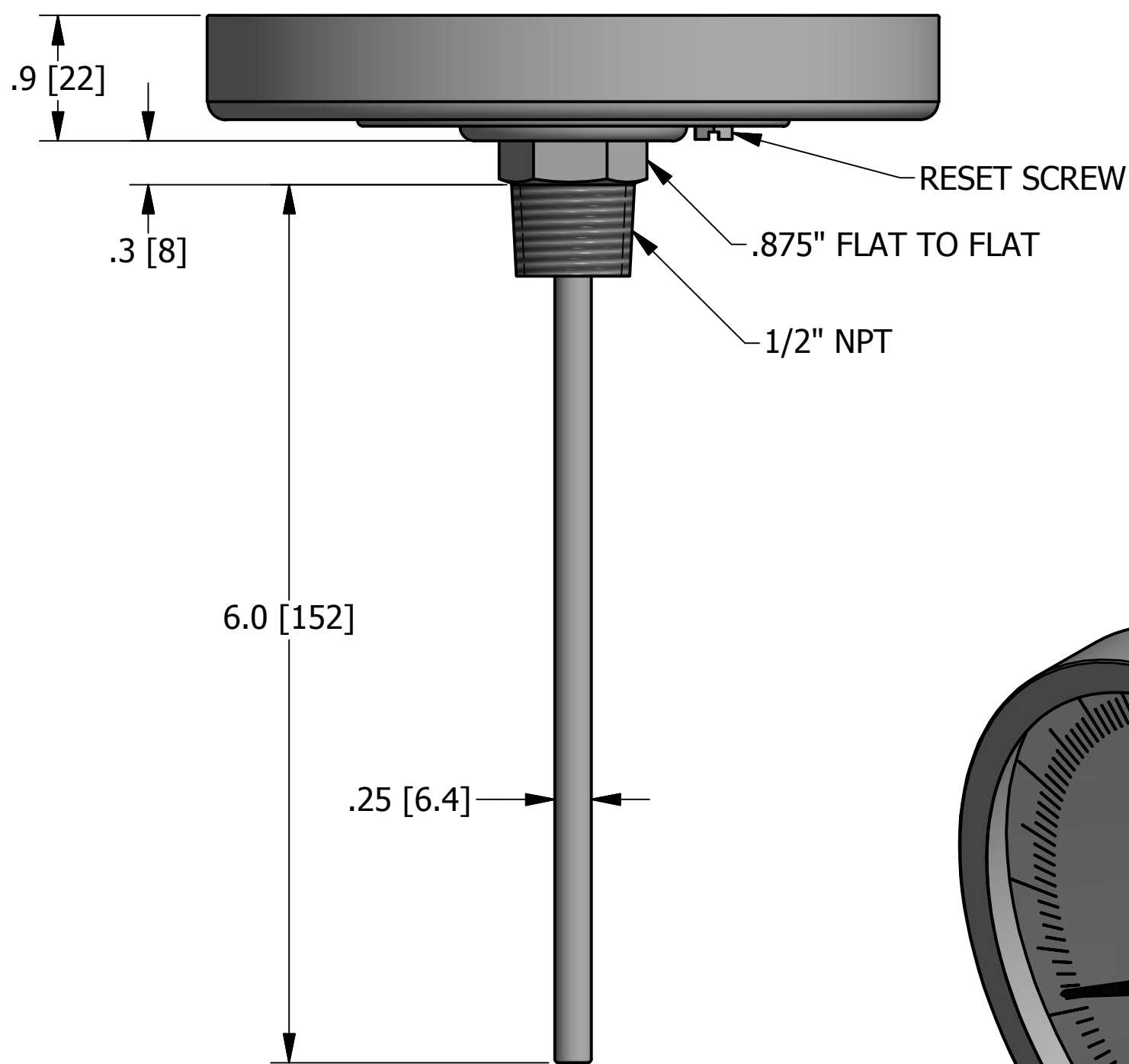
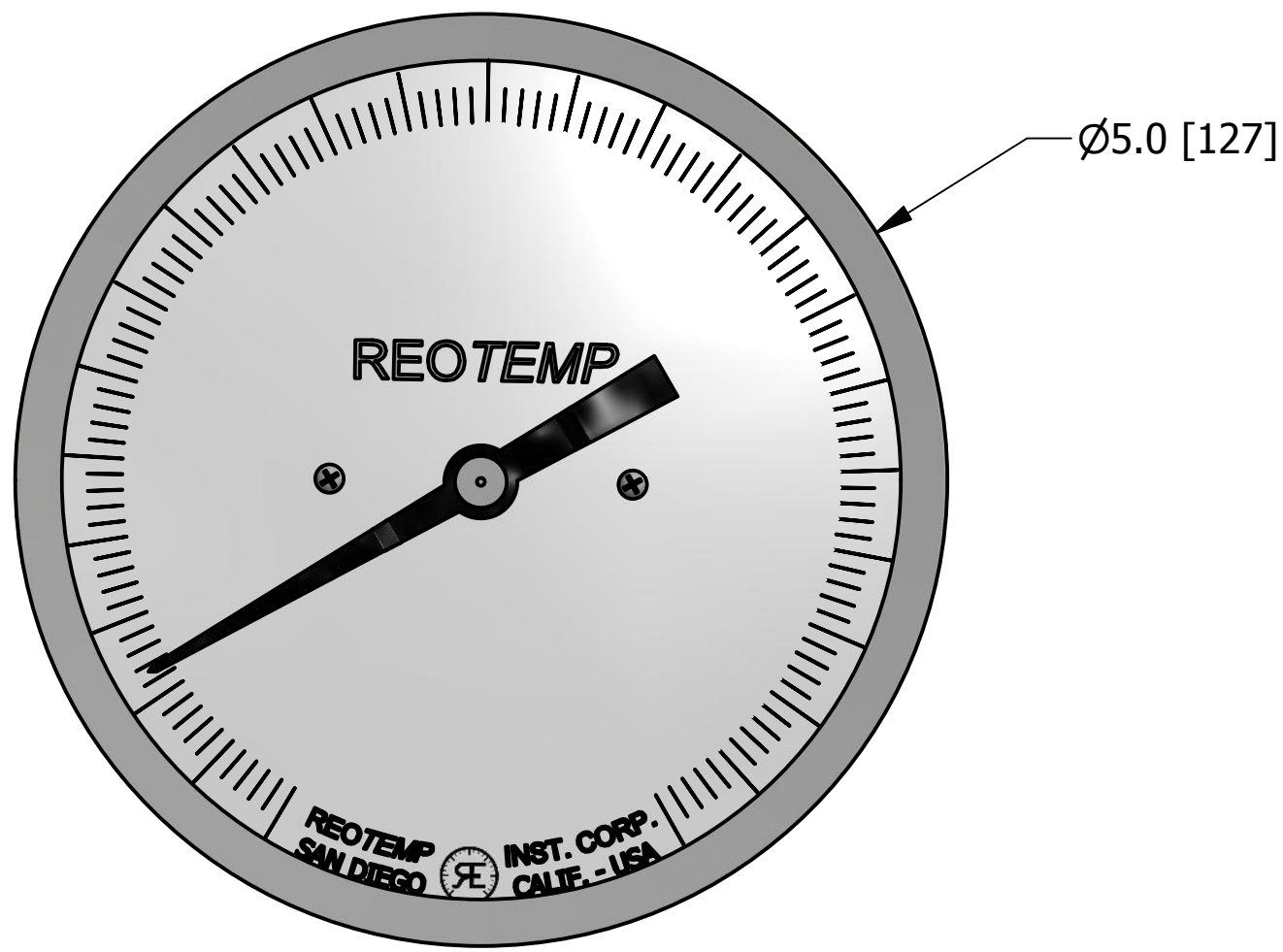


CUSTOMER'S NAME:	
CUSTOMER'S P.O. NO.:	
REOTEMP ORDER NO.:	
CERTIFIED BY:	DATE:



REVISIONS			
REV	DESCRIPTION	DATE	APPROVED
A	INITIAL RELEASE	8/25/15	

NOTE 1	UNLESS OTHERWISE SPECIFIED DIMENSIONS ARE IN INCHES & [mm] TOLERANCES ARE: FRACTIONS DECIMALS ANGLES $\pm 1/32$.X $\pm .2$ $\pm 5'$.XX $\pm .01$.XXX $\pm .005$ SURFACE FINISH 63 \sqrt	PART NAME: 5" BACK CONNECT W/ RESET, 1/2" NPT, Ø1/4" x 6" STEM		DATE: 8/25/15	
NOTE 2				DRAWN BY: MNeill	
NOTE 3				APPROVED:	
NOTE 4		PART NO: BB0601	SIZE: C	CAGE CODE: 24793	REV: A
NOTE 5		FIRST USED ON:	SCALE: NTS	FILE NAME:	SHEET 1 OF 1