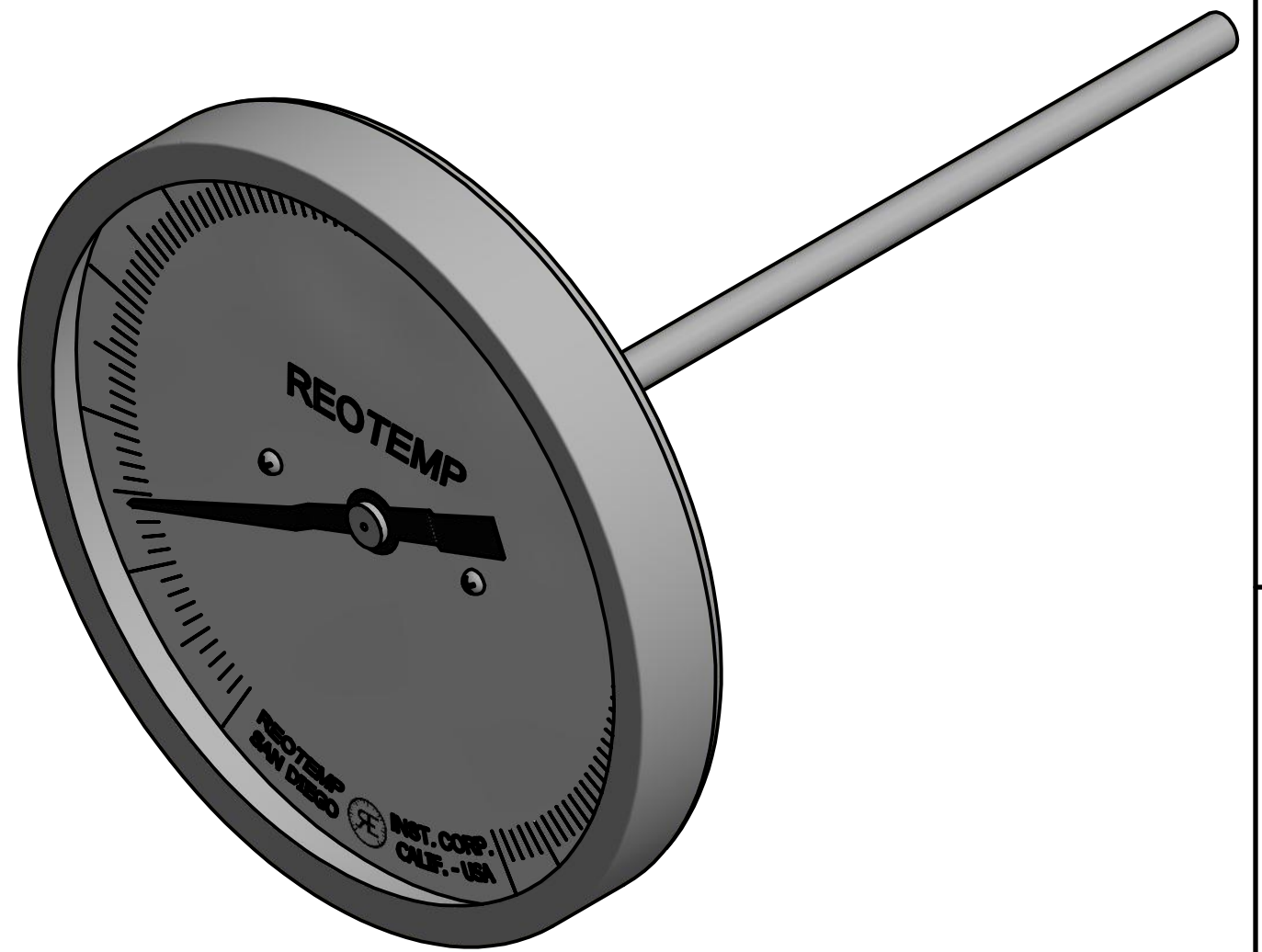
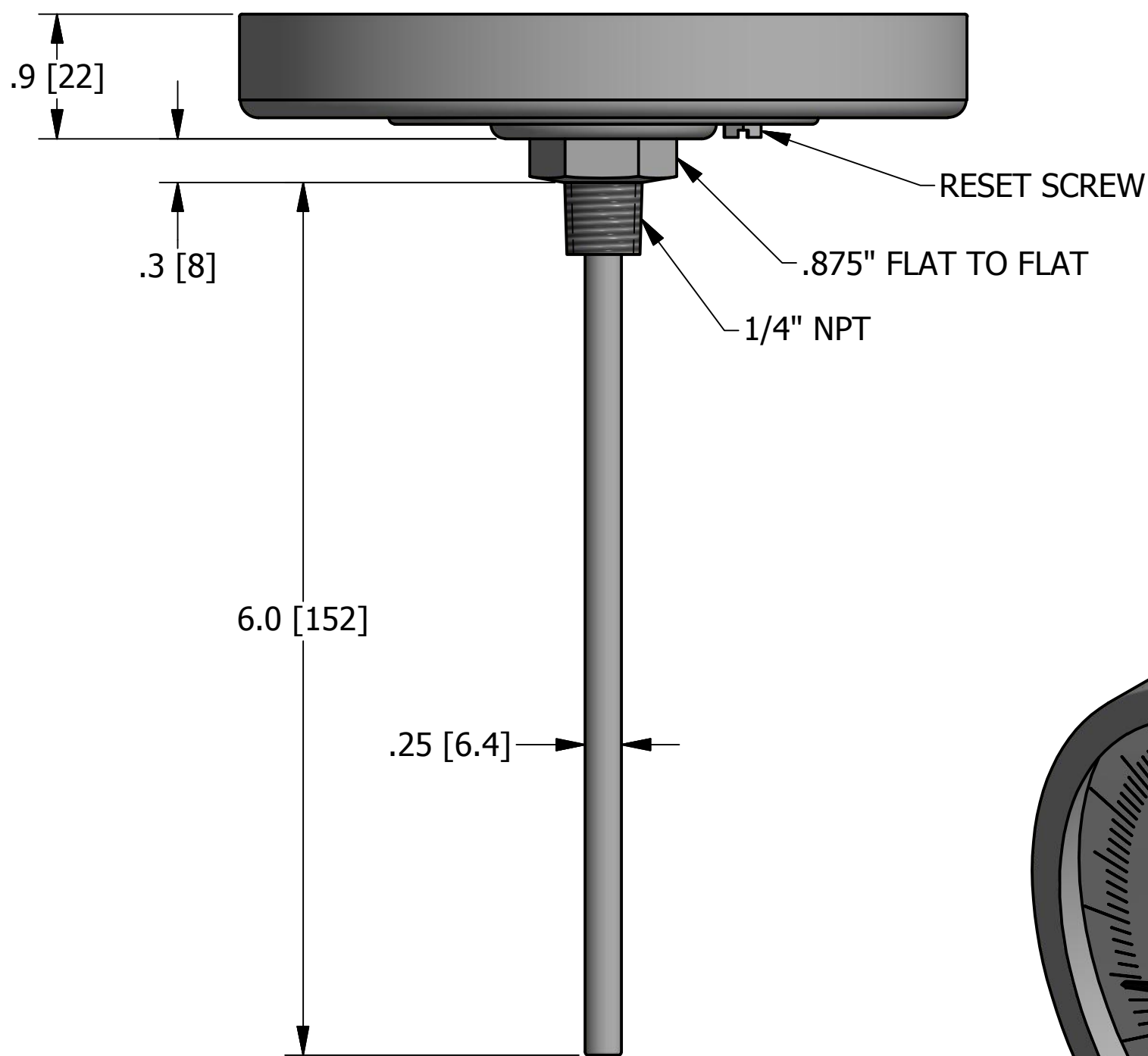
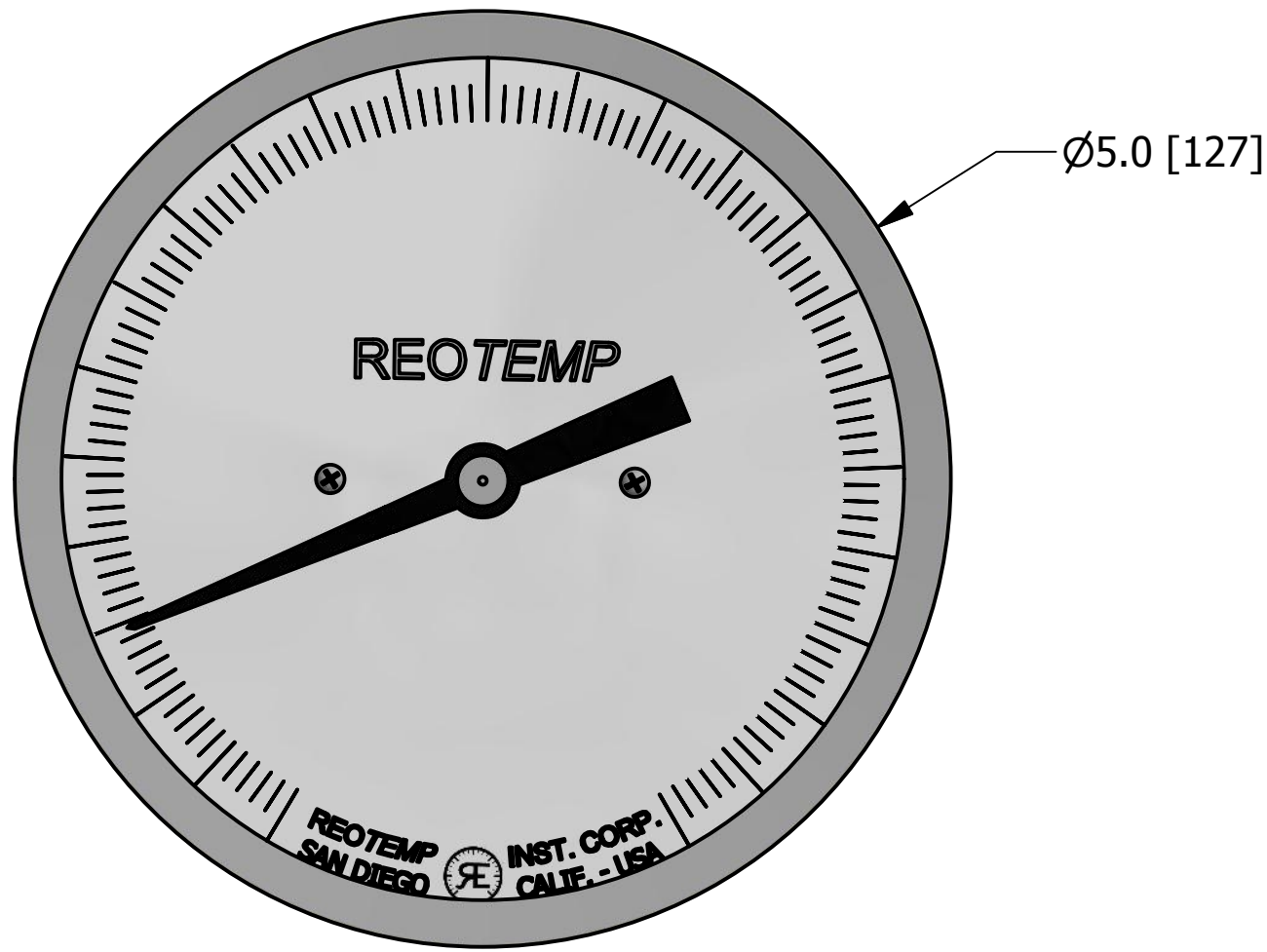


CUSTOMER'S NAME:	
CUSTOMER'S P.O. NO.:	
REOTEMP ORDER NO.:	
CERTIFIED BY:	DATE:



REVISIONS			
REV	DESCRIPTION	DATE	APPROVED
A	INITIAL RELEASE	8/25/15	

NOTE 1	<small>UNLESS OTHERWISE SPECIFIED DIMENSIONS ARE IN INCHES & [mm] TOLERANCES ARE:</small> <small>FRACTIONS DECIMALS ANGLES</small> <small>±1/32 .X ± .2 ±5'</small> <small> .XX ± .01</small> <small> .XXX ± .005</small> <small>SURFACE FINISH 63√</small>	PART NAME: 5" BACK CONNECT W/ RESET, 1/4" NPT, Ø1/4" x 6" STEM		DATE: 8/25/15	
NOTE 2				DRAWN BY: MNeill	
NOTE 3				APPROVED:	
NOTE 4		PART NO: BB0604	SIZE: C	CAGE CODE: 24793	DWG NO:
NOTE 5		FIRST USED ON:	SCALE: NTS	FILE NAME:	REV: A
			SHEET 1 OF 1		