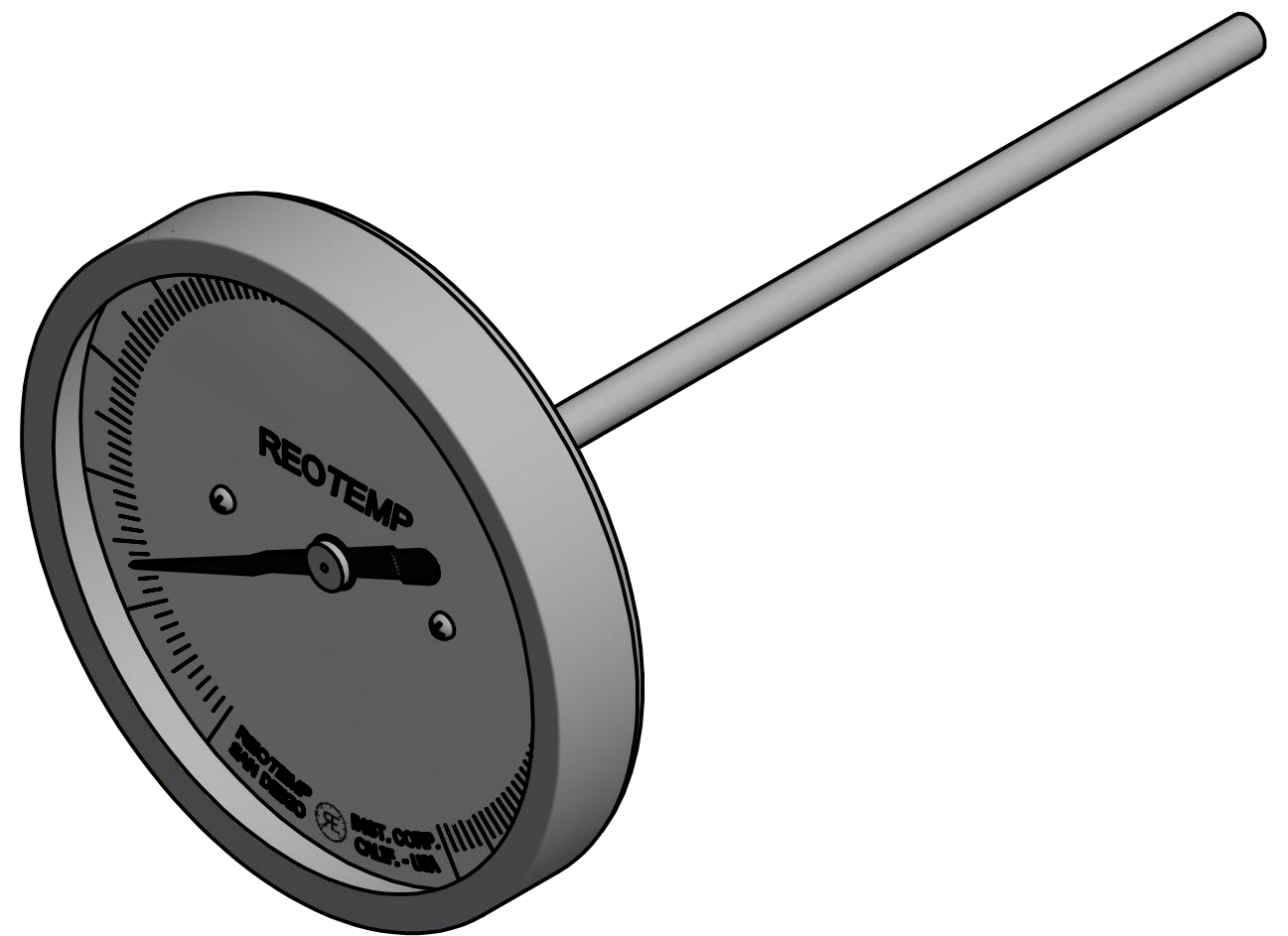
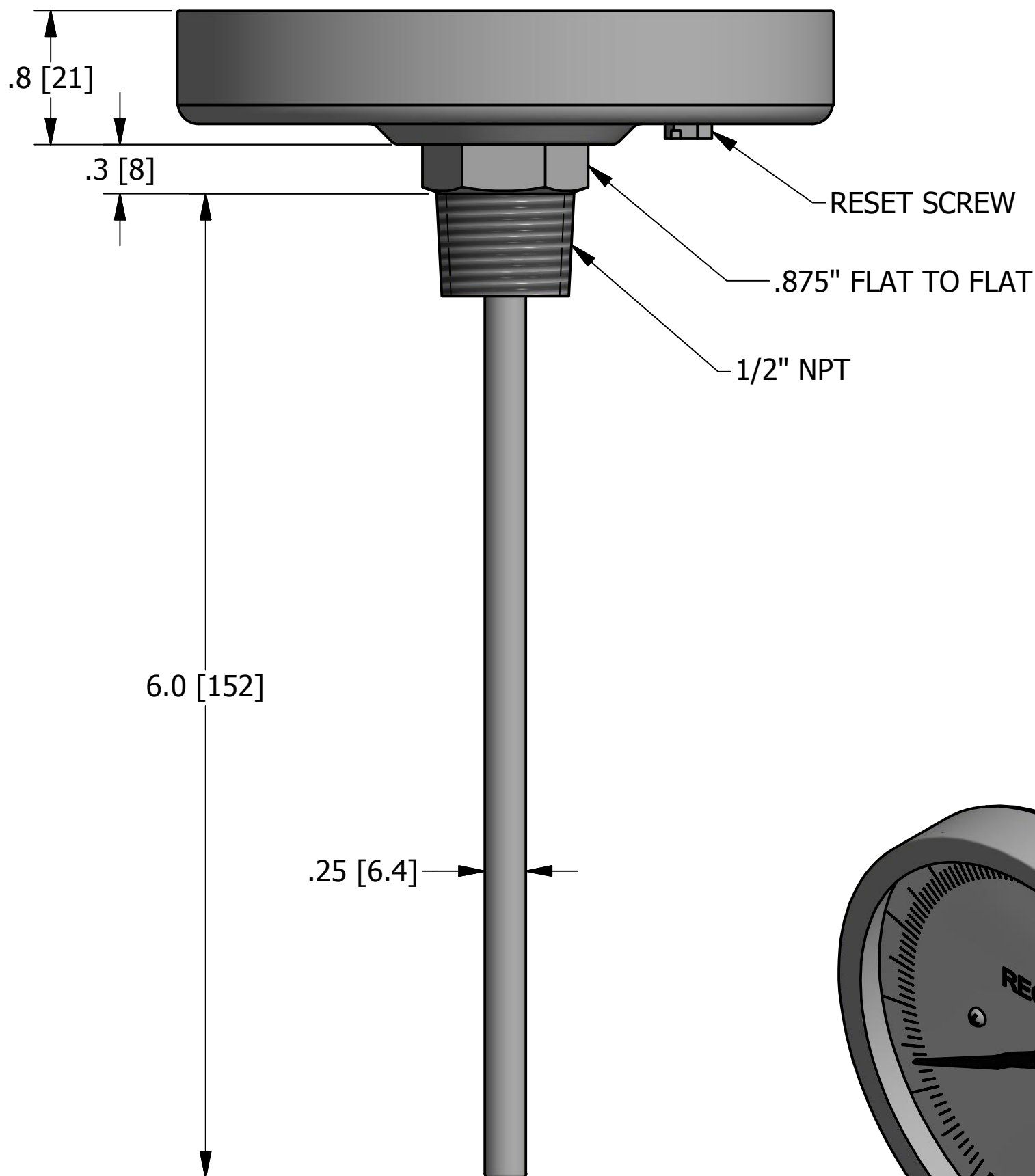
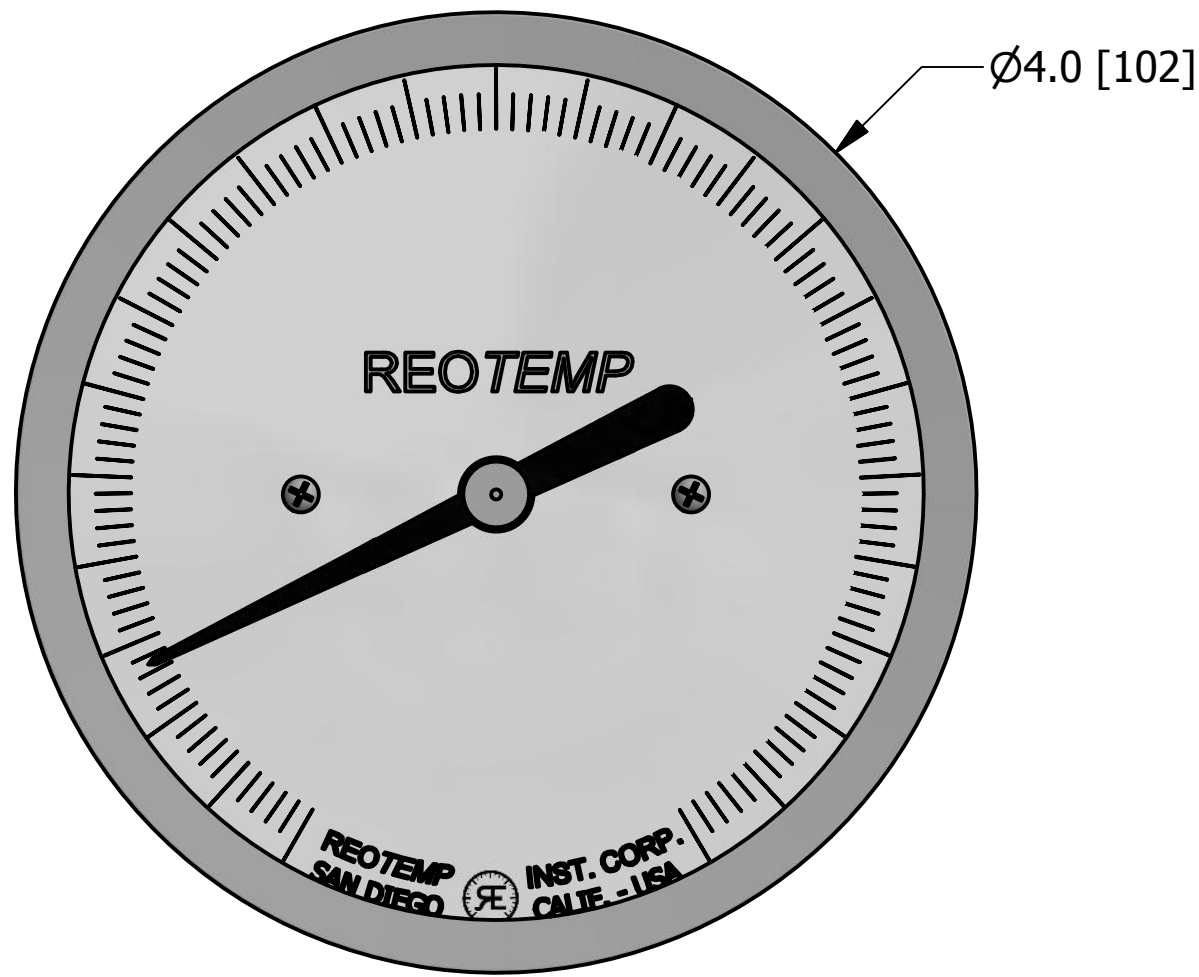


CUSTOMER'S NAME:	
CUSTOMER'S P.O. NO.:	
REOTEMP ORDER NO.:	
CERTIFIED BY:	DATE:



REVISIONS			
REV	DESCRIPTION	DATE	APPROVED
A	INITIAL RELEASE	8/25/15	

NOTE 1	<small>UNLESS OTHERWISE SPECIFIED DIMENSIONS ARE IN INCHES &amp; [mm] TOLERANCES ARE:</small> <small>FRACTIONS    DECIMALS    ANGLES</small> <small>±1/32        .X ± .2        ±5°</small> <small>              .XX ± .01</small> <small>              .XXX ± .005</small> <small>SURFACE FINISH    63√</small>	PART NAME:			DATE:	
NOTE 2		4" BACK CONNECT W/ RESET, 1/2" NPT, Ø1/4" x 6" STEM			DRAWN BY:	
NOTE 3					APPROVED:	
NOTE 4		PART NO:	SIZE:	CAGE CODE:	DWG NO:	REV:
NOTE 5		CC0601	C	24793		A
	FIRST USED ON:	SCALE: NTS	FILE NAME:	SHEET 1 OF 1		