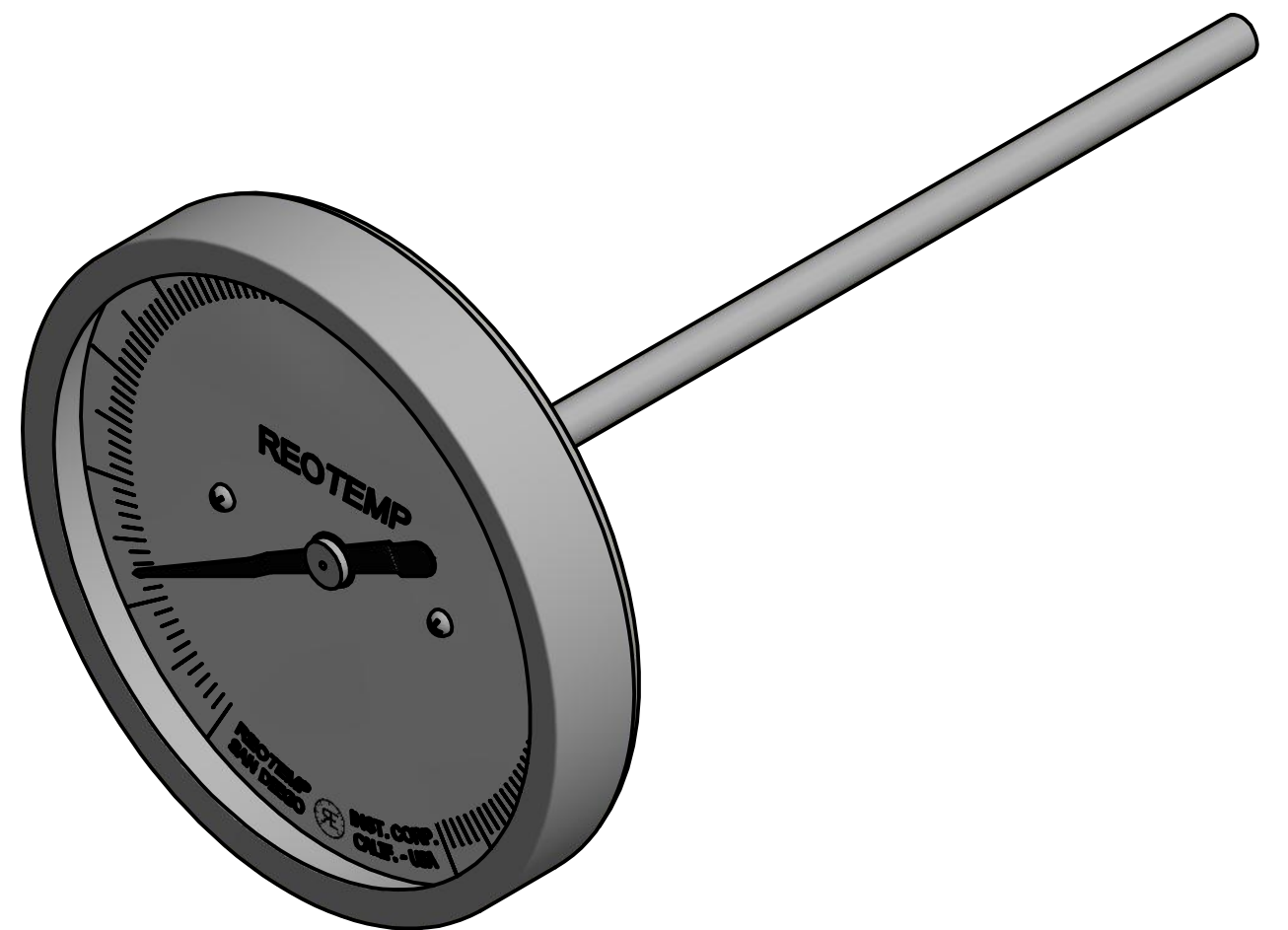
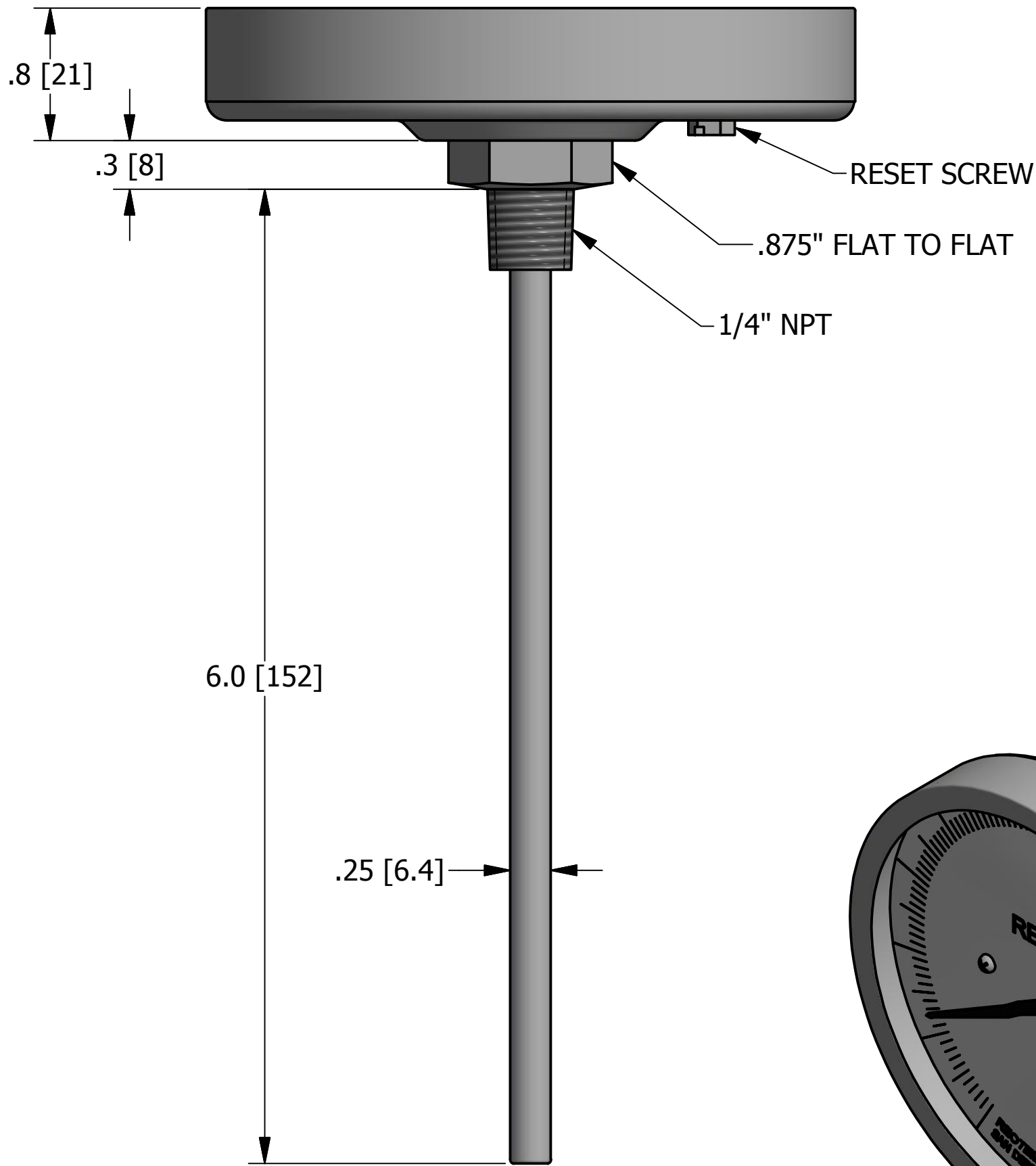
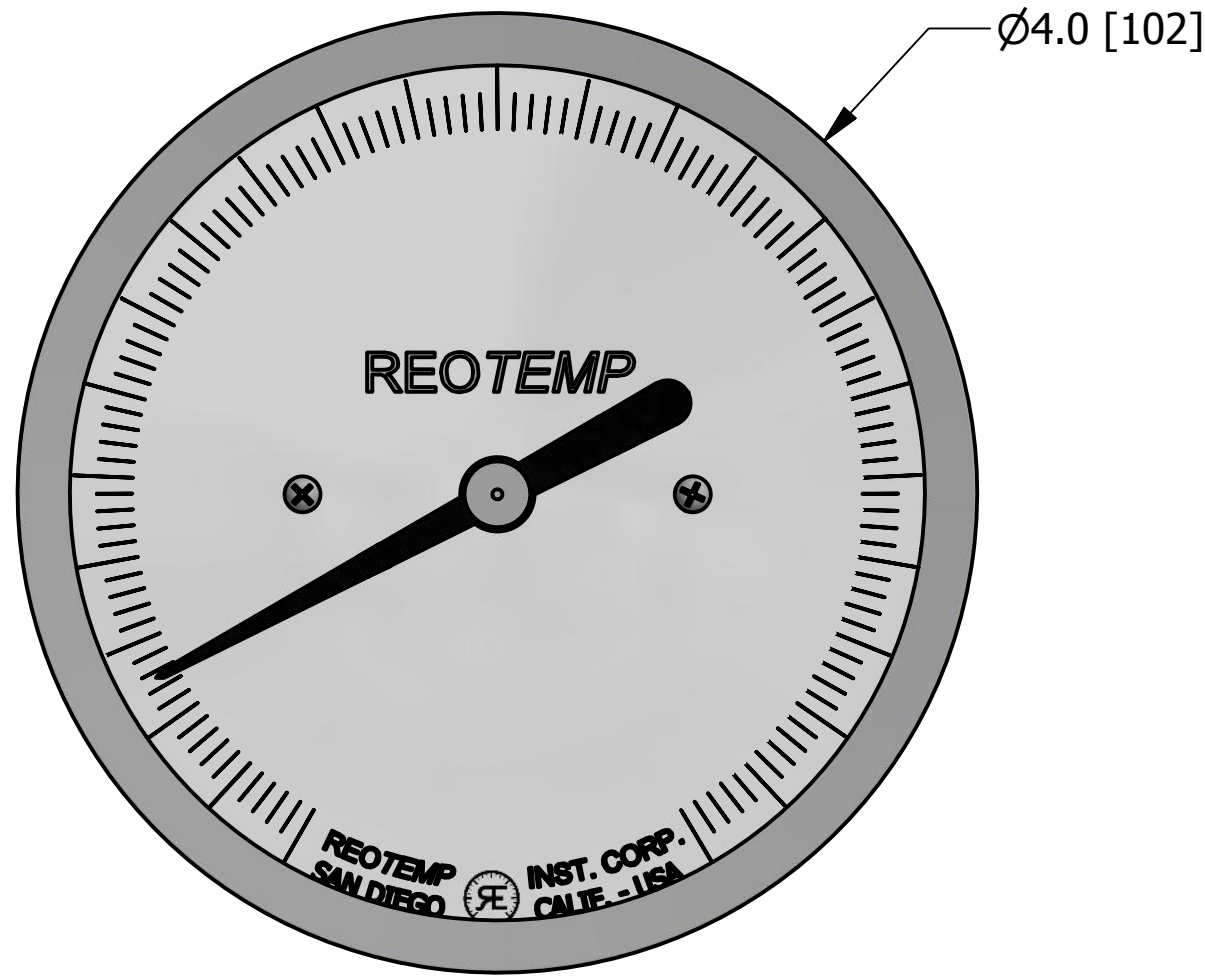


CUSTOMER'S NAME:	
CUSTOMER'S P.O. NO.:	
REOTEMP ORDER NO.:	
CERTIFIED BY:	DATE:



REVISIONS

REV	DESCRIPTION	DATE	APPROVED
A	INITIAL RELEASE	8/25/15	

NOTE 1

NOTE 2

NOTE 3

NOTE 4

NOTE 5

UNLESS OTHERWISE SPECIFIED
DIMENSIONS ARE IN INCHES & [mm]
TOLERANCES ARE:

FRACTIONS	DECIMALS	ANGLES
±1/32	.X ± .2	±5°
	.XX ± .01	
	.XXX ± .005	

SURFACE FINISH $\sqrt{63}$

PART NO:
CC0604

FIRST USED ON:

PART NAME:

4" BACK CONNECT W/ RESET, 1/4"
NPT, Ø1/4" x 6" STEM

SIZE:
C

CAGE CODE:
24793

DWG NO:

REV:
A

SCALE: NTS

FILE NAME:

DATE:
8/25/15

DRAWN BY:
MNeill

APPROVED:

SHEET 1 OF 1