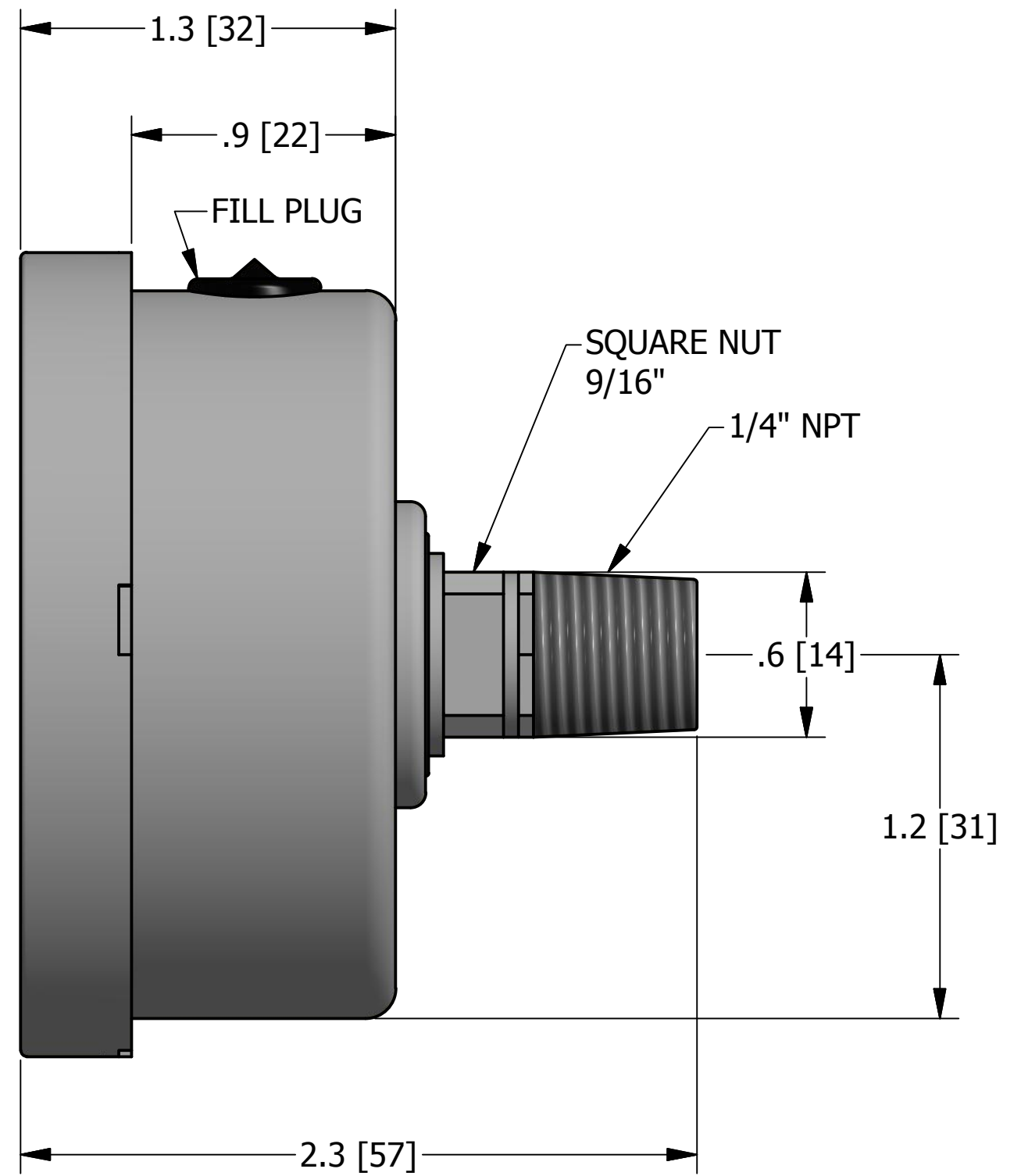
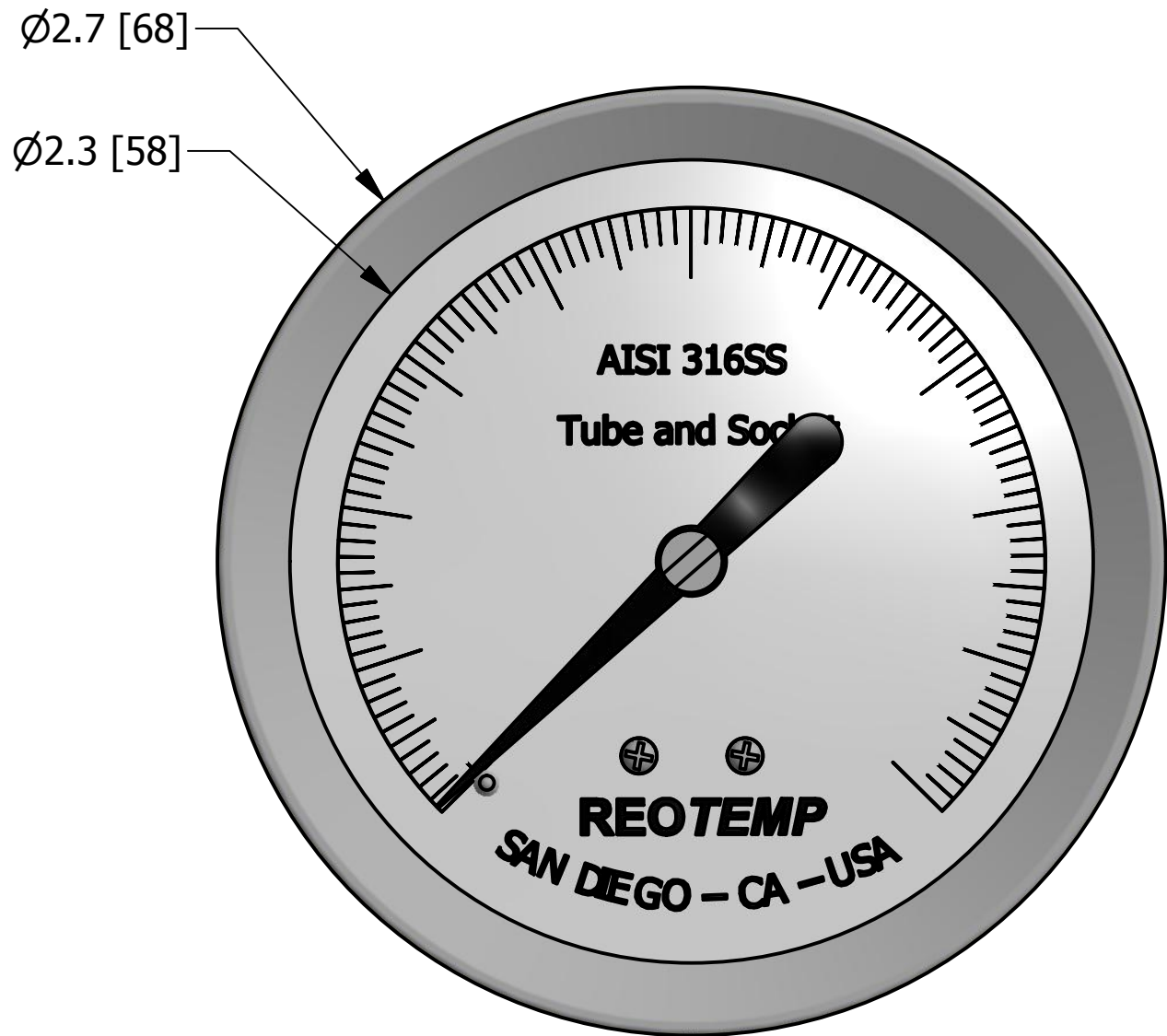


CUSTOMER'S NAME:	
CUSTOMER'S P.O. NO.:	
REOTEMP ORDER NO.:	
CERTIFIED BY:	DATE:



REVISIONS			
REV	DESCRIPTION	DATE	APPROVED
X1	INITIAL RELEASE	8/4/15	

UNLESS OTHERWISE SPECIFIED
DIMENSIONS ARE IN INCHES & [mm]
TOLERANCES ARE:

FRACTIONS DECIMALS ANGLES
±1/32 .X ± .2 ±5°
.XX ± .01
.XXX ± .005

SURFACE FINISH 63√

PART NAME:

PR 25 1/4" NPT BACK CONNECT

DATE:
8/4/15

DRAWN BY:
MNeill

APPROVED:

PART NO:

SIZE:
C

CAGE CODE:
24793

DWG NO:

REV:
X1

FIRST USED ON:

SCALE: NTS

FILE NAME:

SHEET 1 OF 1