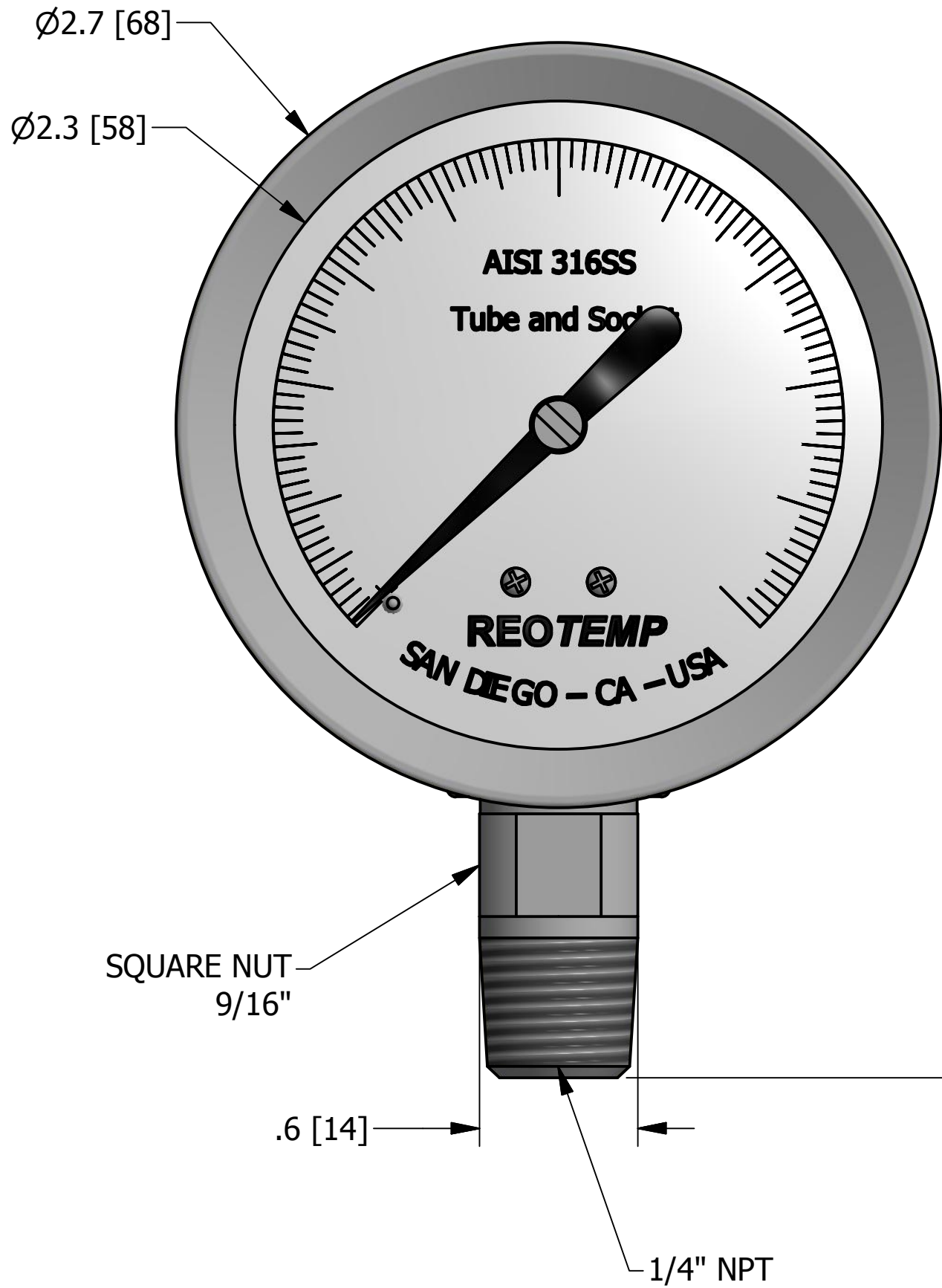
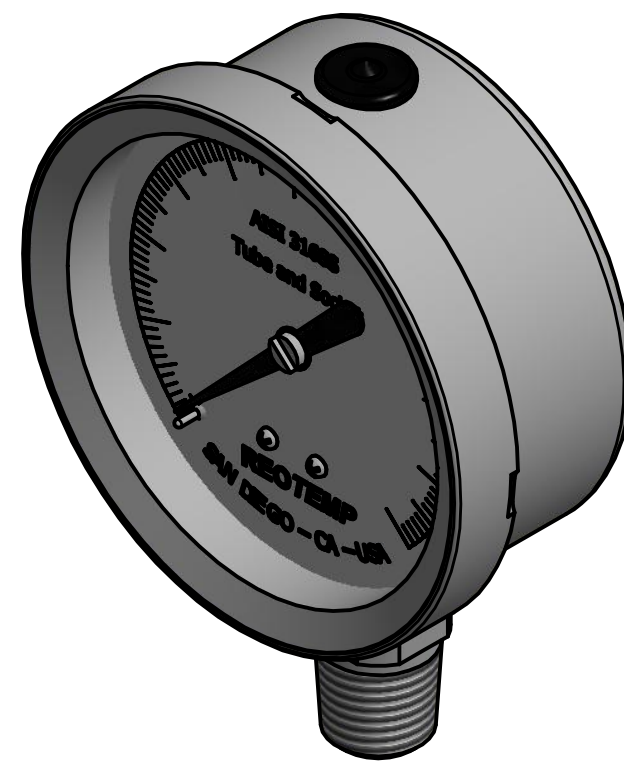
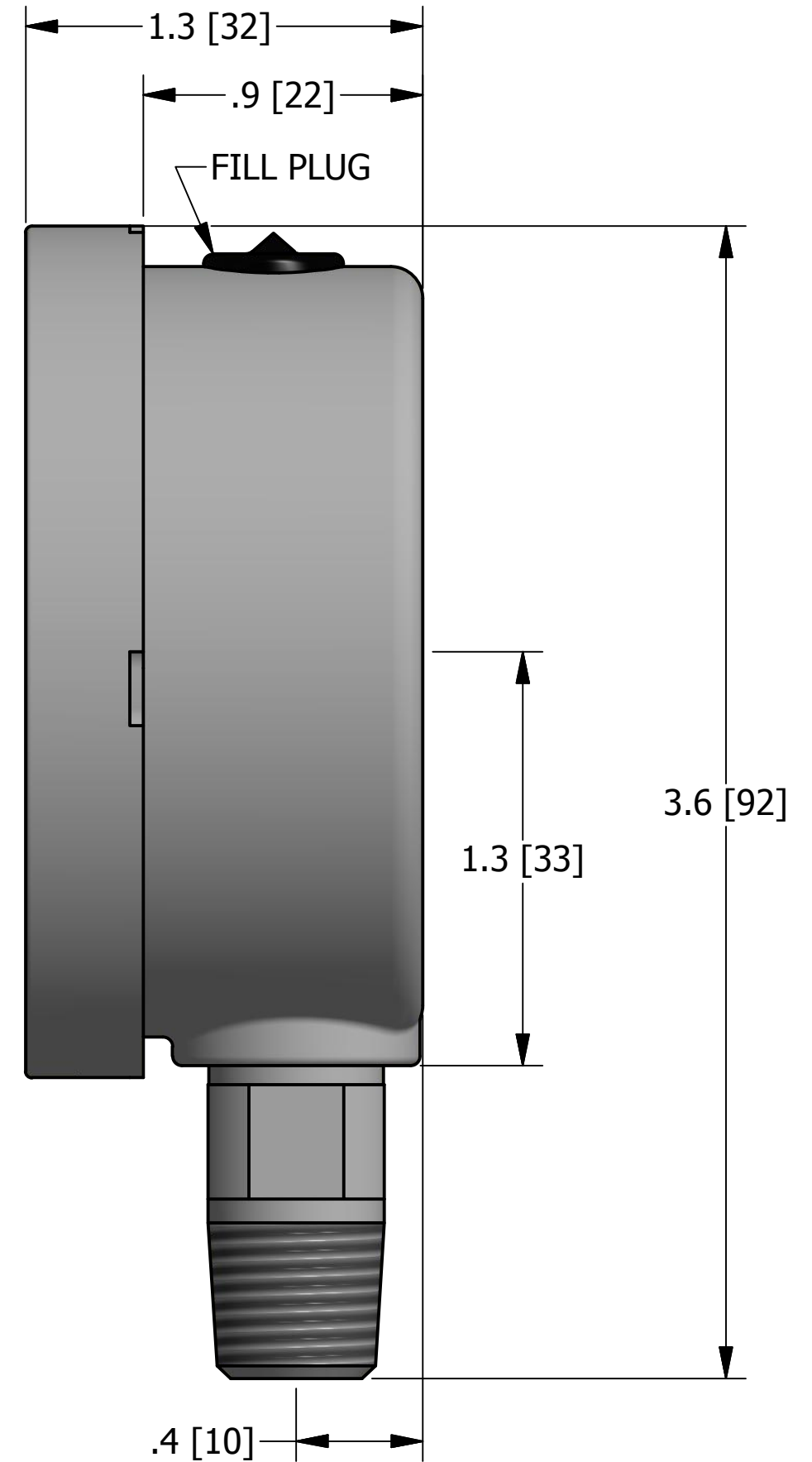


CUSTOMER'S NAME:	
CUSTOMER'S P.O. NO.:	
REOTEMP ORDER NO.:	
CERTIFIED BY:	DATE:



2.3 [58]



REVISIONS			
REV	DESCRIPTION	DATE	APPROVED
X1	INITIAL RELEASE	8/4/15	

CASE MATERIAL: 304SS	UNLESS OTHERWISE SPECIFIED DIMENSIONS ARE IN INCHES & [mm] TOLERANCES ARE: FRACTIONS DECIMALS ANGLES ±1/32 .X ± .2 ±5° .XX ± .01 .XXX ± .005 SURFACE FINISH 63√	PART NAME: PR25 1/4" NPT BOTTOM CONNECT			DATE: 8/4/15
WETTED MATERIAL: 316LSS		DRAWN BY: MNeill			APPROVED:
POINTER: MICRO-ADJUSTABLE		PART NO:	SIZE: C	CAGE CODE: 24793	DWG NO:
ENCLOSURE RATING: IP65/NEMA 4X	FIRST USED ON:	SCALE: NTS	FILE NAME:	SHEET 1 OF 1	