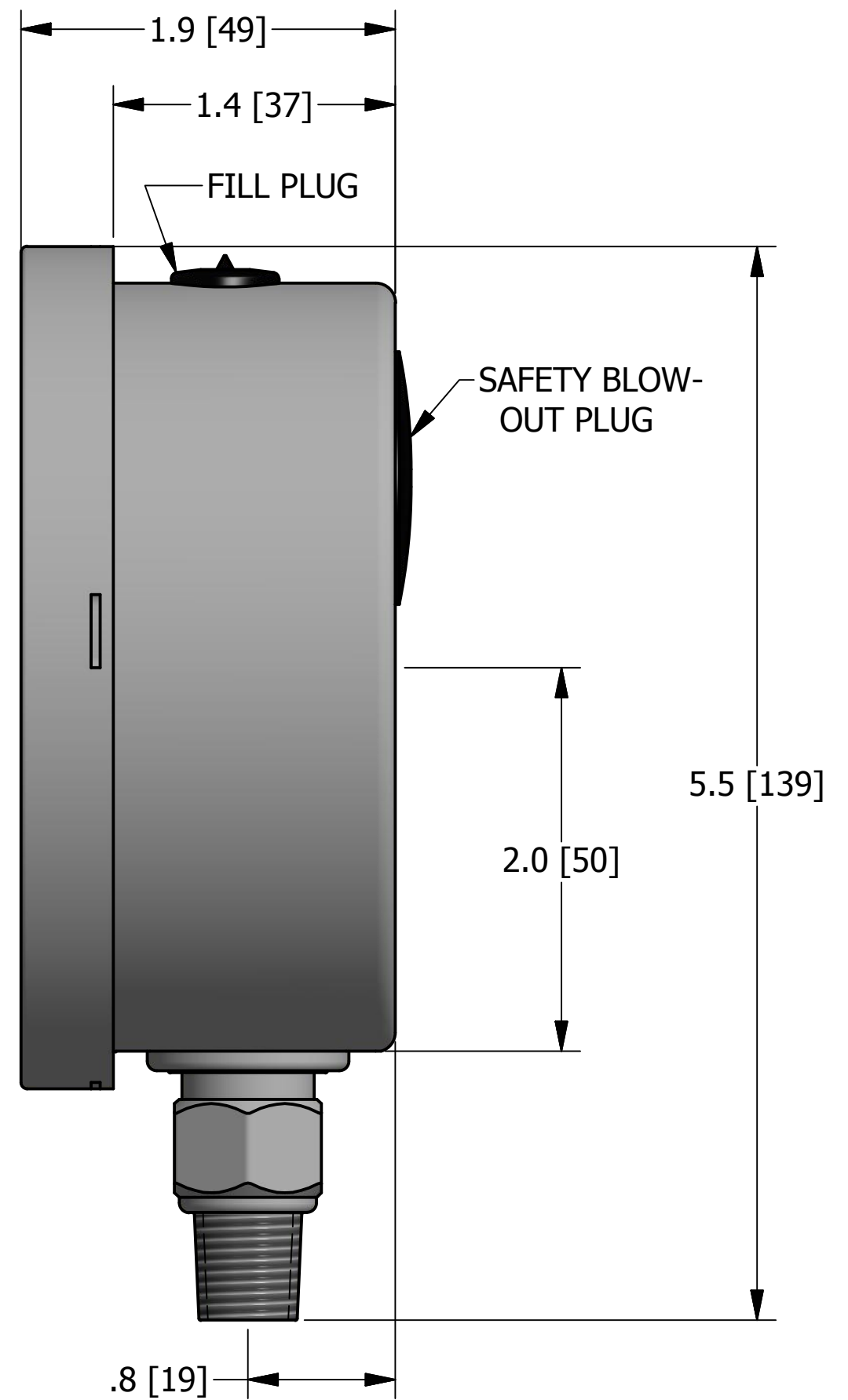
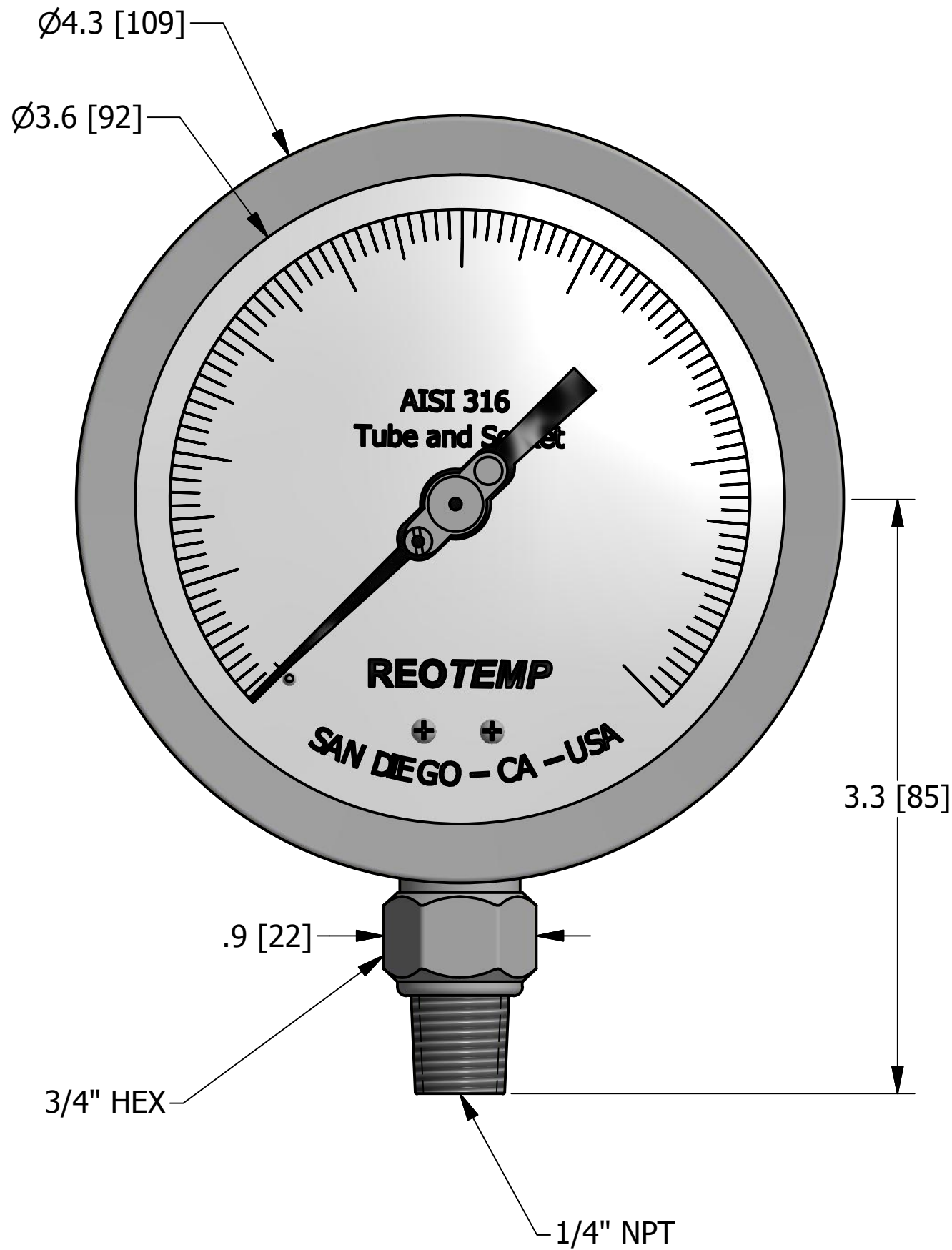


CUSTOMER'S NAME:	
CUSTOMER'S P.O. NO.:	
REOTEMP ORDER NO.:	
CERTIFIED BY:	DATE:



REVISIONS			
REV	DESCRIPTION	DATE	APPROVED
X1	INITIAL RELEASE	8/7/15	

NOTE 1	<small>UNLESS OTHERWISE SPECIFIED DIMENSIONS ARE IN INCHES & [mm] TOLERANCES ARE: FRACTIONS DECIMALS ANGLES ±1/32 .X ± .2 ±5° .XX ± .01 .XXX ± .005 SURFACE FINISH 63√</small>	PART NAME:		DATE:	
NOTE 2		PR40 1/4" NPT BOTTOM CONNECT		8/7/15	
NOTE 3				DRAWN BY:	
NOTE 4				MNeill	
NOTE 5				APPROVED:	
	PART NO:	SIZE:	CAGE CODE:	DWG NO:	REV:
		C	24793		X1
	FIRST USED ON:	SCALE: NTS	FILE NAME:	SHEET 1 OF 1	