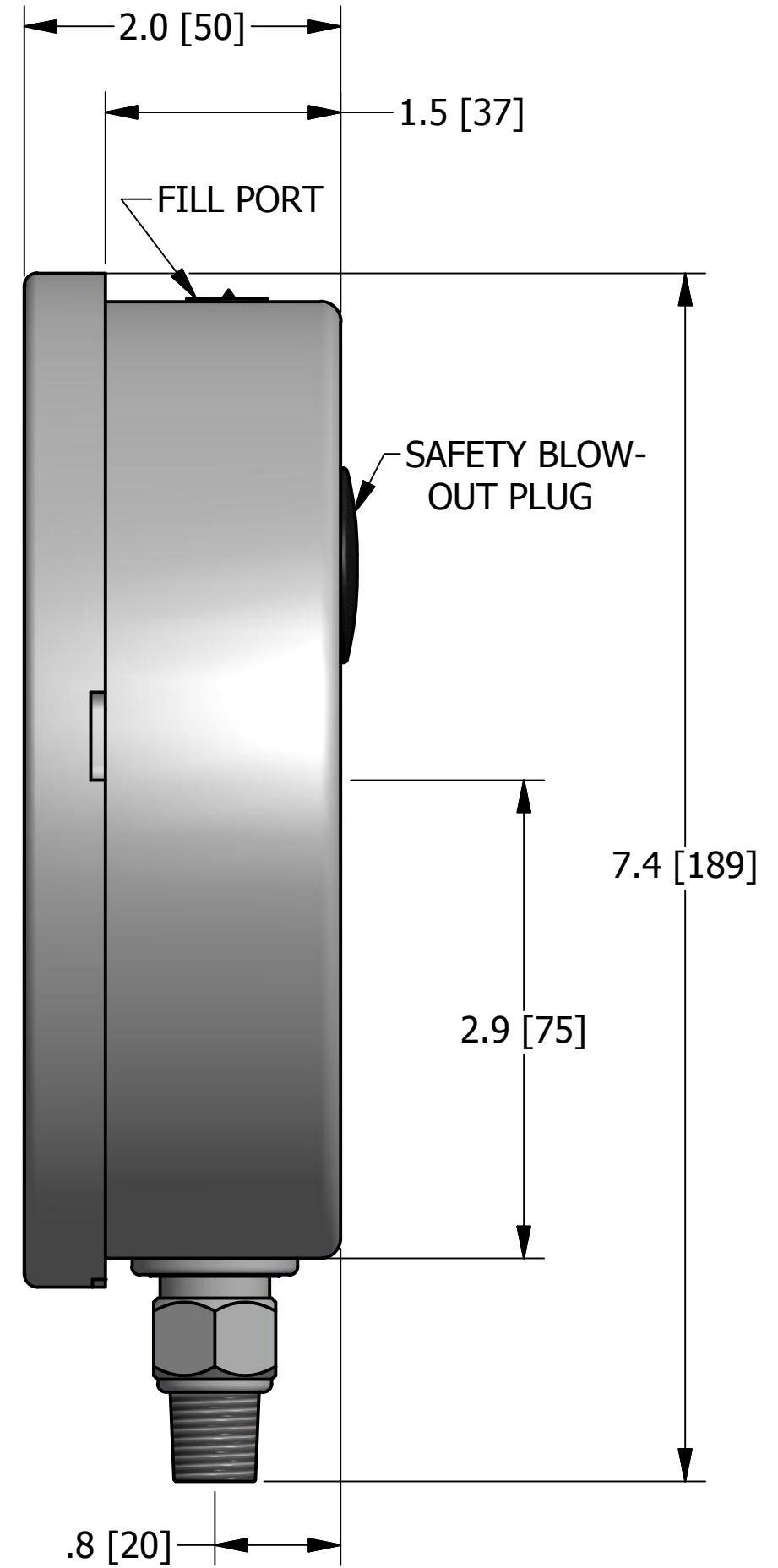
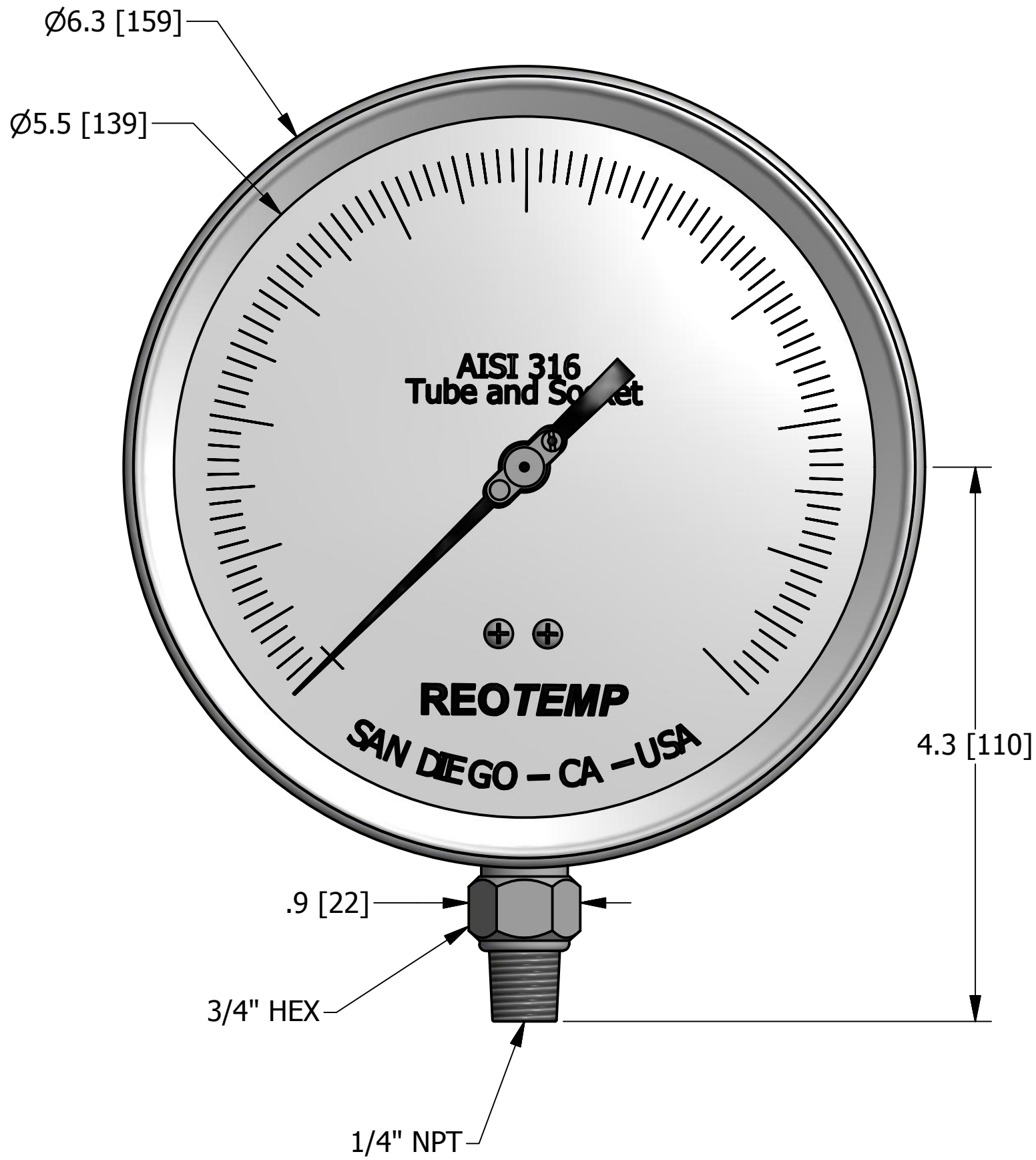


CUSTOMER'S NAME:	
CUSTOMER'S P.O. NO.:	
REOTEMP ORDER NO.:	
CERTIFIED BY:	DATE:



REVISIONS			
REV	DESCRIPTION	DATE	APPROVED
X1	INITIAL RELEASE	8/7/15	

NOTE 1 NOTE 2 NOTE 3 NOTE 4 NOTE 5	UNLESS OTHERWISE SPECIFIED DIMENSIONS ARE IN INCHES & [mm] TOLERANCES ARE: FRACTIONS DECIMALS ANGLES ±1/32 .X ± .2 ±5° .XX ± .01 .XXX ± .005 SURFACE FINISH 63√	PART NAME: PR60 1/4" NPT BOTTOM CONNECT		DATE: 8/7/15
	PART NO:	SIZE: C	CAGE CODE: 24793	DWG NO:
	FIRST USED ON:	SCALE: NTS	FILE NAME:	REV: X1
				APPROVED:
				SHEET 1 OF 1