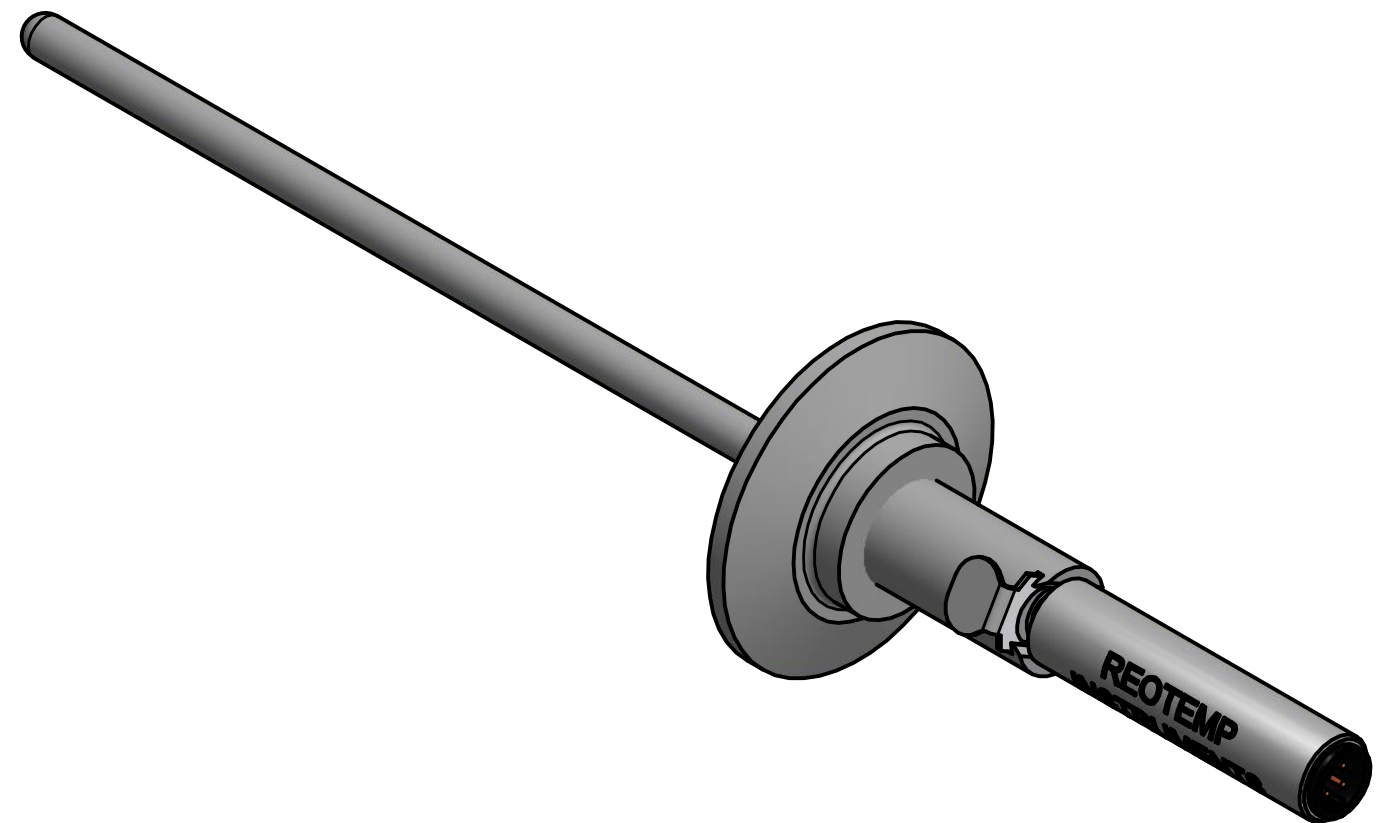
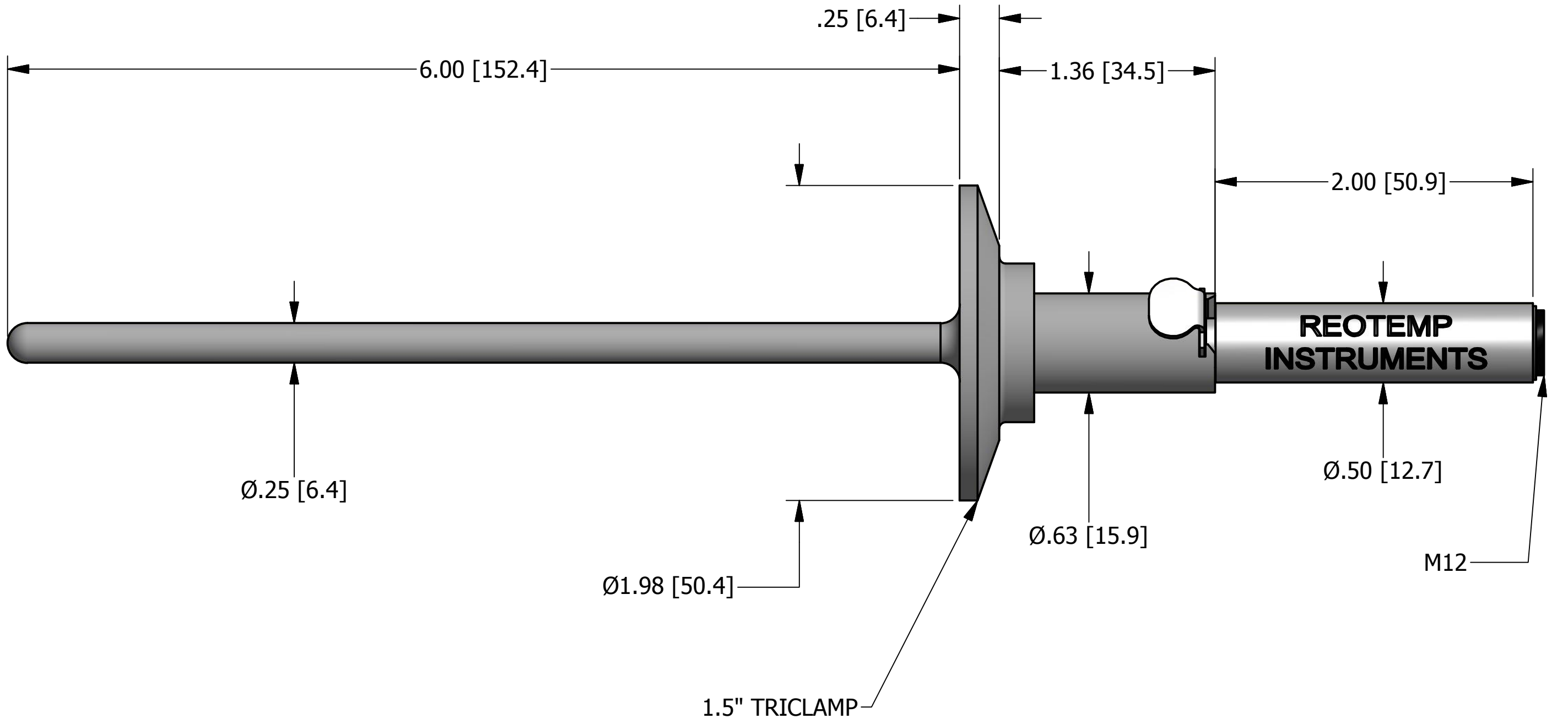


CUSTOMER'S NAME:	
CUSTOMER'S P.O. NO.:	
REOTEMP ORDER NO.:	
CERTIFIED BY:	DATE:



REVISIONS			
REV	DESCRIPTION	DATE	APPROVED
X1	INITIAL RELEASE	8/11/15	

NOTE 1	UNLESS OTHERWISE SPECIFIED DIMENSIONS ARE IN INCHES & [mm] TOLERANCES ARE: FRACTIONS    DECIMALS    ANGLES ±1/32    .X ± .2    ±5' .XX ± .01 .XXX ± .005 SURFACE FINISH    63√	PART NAME: <b>SANITARY REOCLICK WITH M12</b>		DATE: 8/11/15
NOTE 2				DRAWN BY: MNeill
NOTE 3				APPROVED:
NOTE 4	PART NO:	SIZE: C	CAGE CODE: 24793	DWG NO:
NOTE 5	FIRST USED ON:	SCALE: NTS	FILE NAME:	REV: X1
				SHEET 1 OF 1