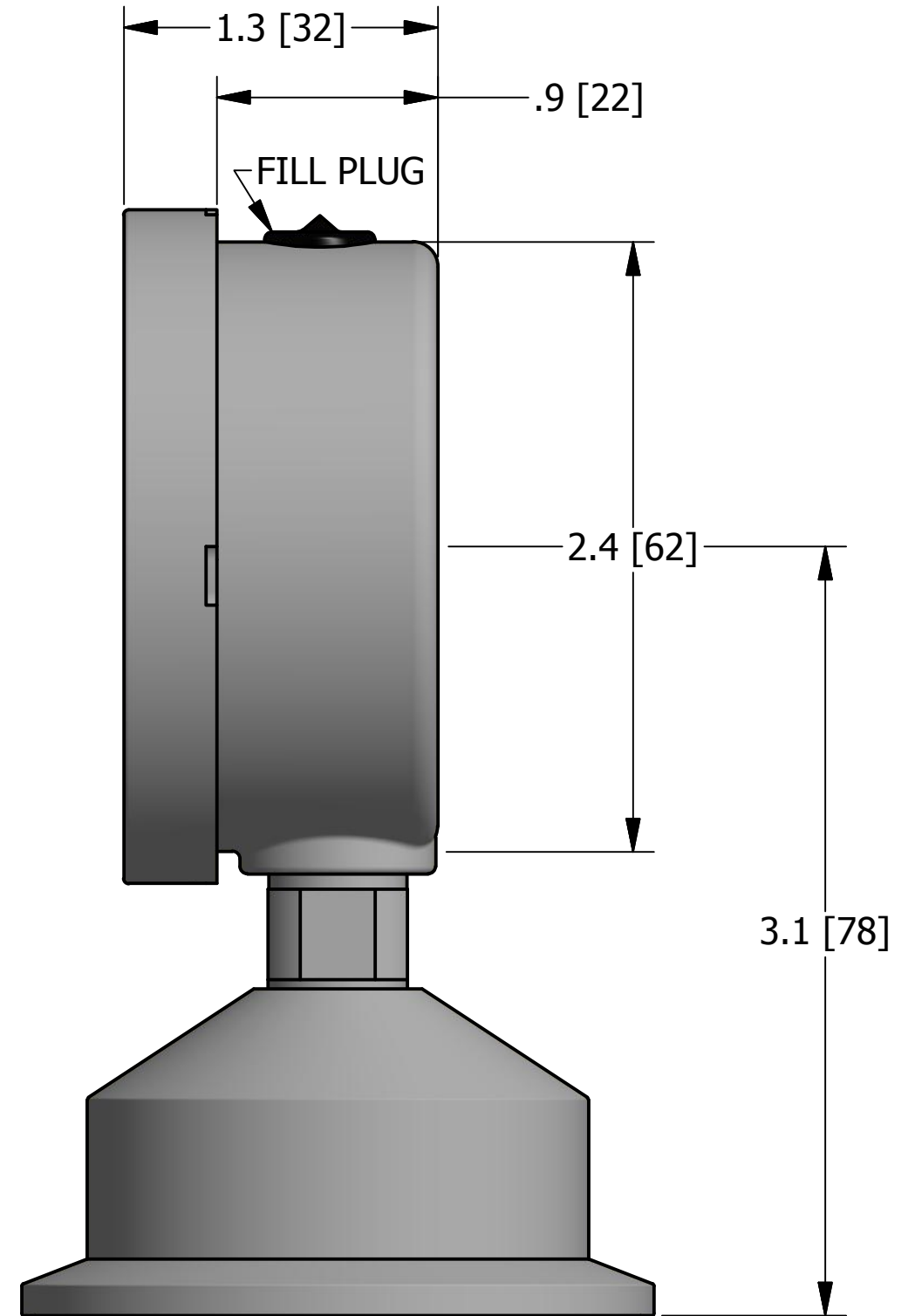
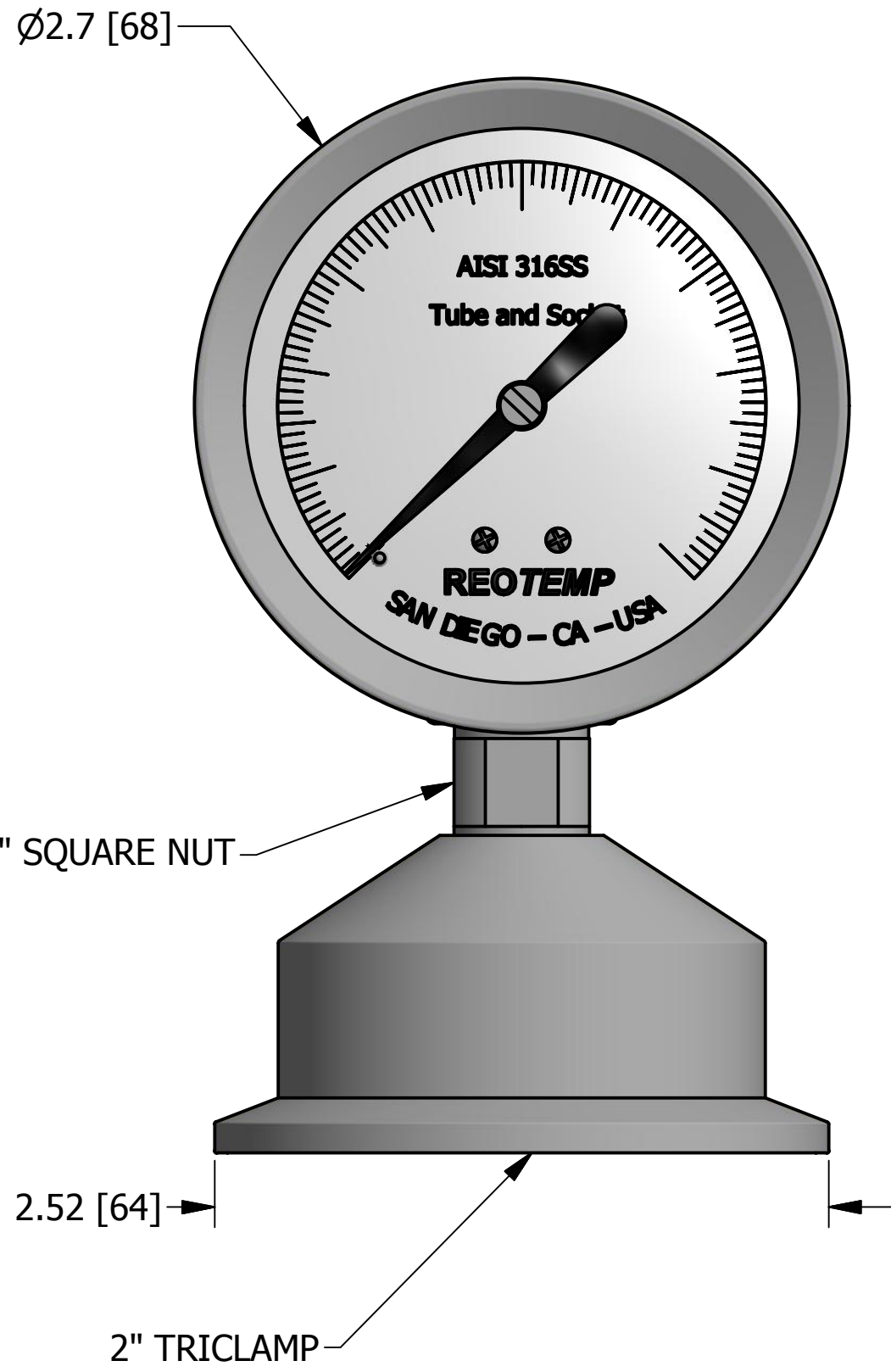


CUSTOMER'S NAME:	
CUSTOMER'S P.O. NO.:	
REOTEMP ORDER NO.:	
CERTIFIED BY:	DATE:



REVISIONS			
REV	DESCRIPTION	DATE	APPROVED
A	INITIAL RELEASE	9/9/15	

NOTE 1	UNLESS OTHERWISE SPECIFIED DIMENSIONS ARE IN INCHES & [mm] TOLERANCES ARE: FRACTIONS    DECIMALS    ANGLES ±1/32        .X ± .2        ±5' .XX ± .01 .XXX ± .005 SURFACE FINISH    63√	PART NAME:  <b>SG25 2" TRICLAMP</b>			DATE: 9/9/15
NOTE 2		DRAWN BY: MNeill			
NOTE 3		APPROVED:			
NOTE 4	PART NO:	SIZE: C	CAGE CODE: 24793	DWG NO:	REV: A
NOTE 5	FIRST USED ON:	SCALE: NTS	FILE NAME:	SHEET 1 OF 1	