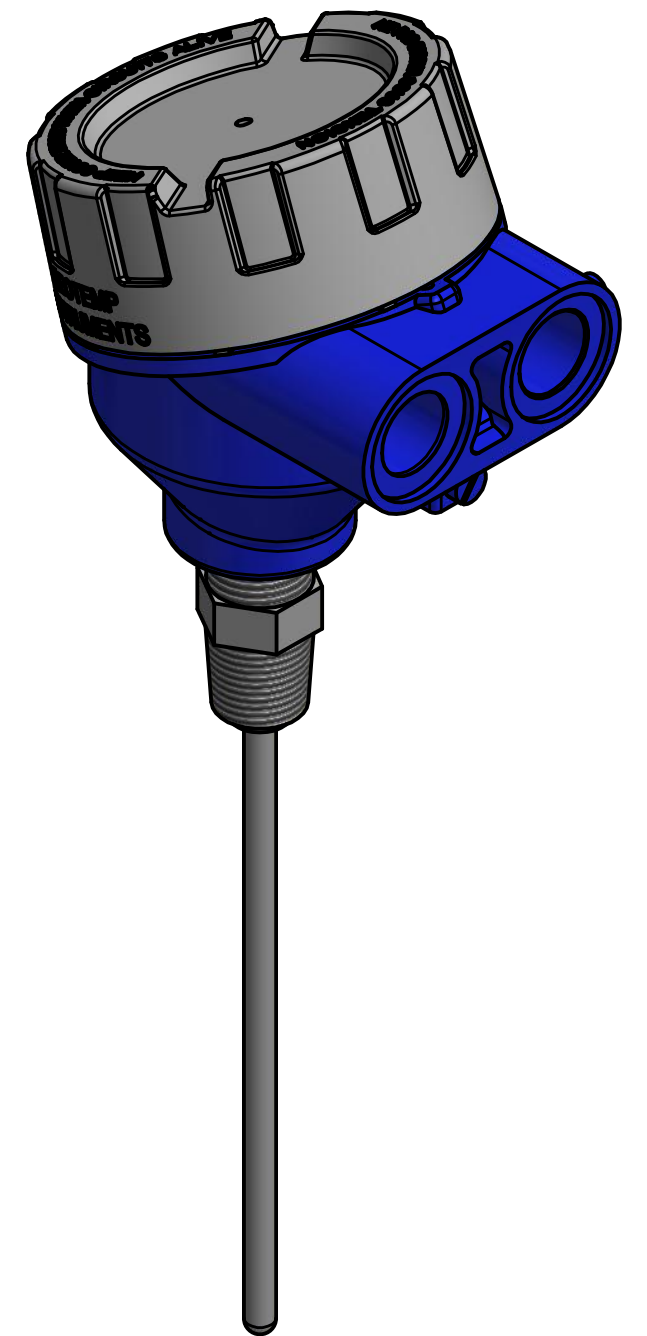
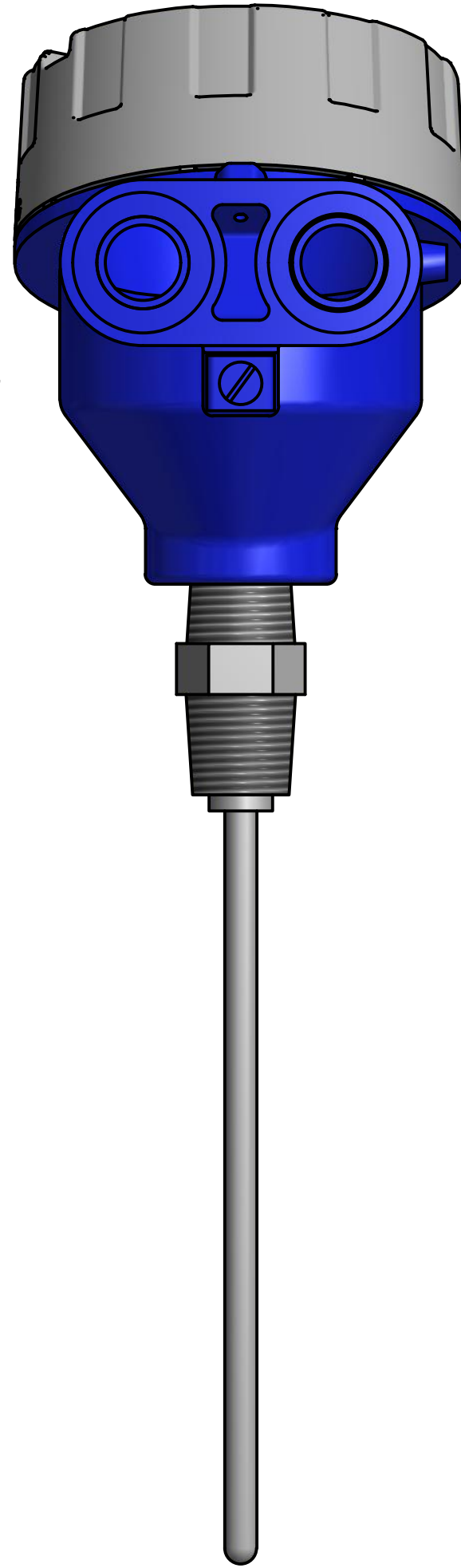
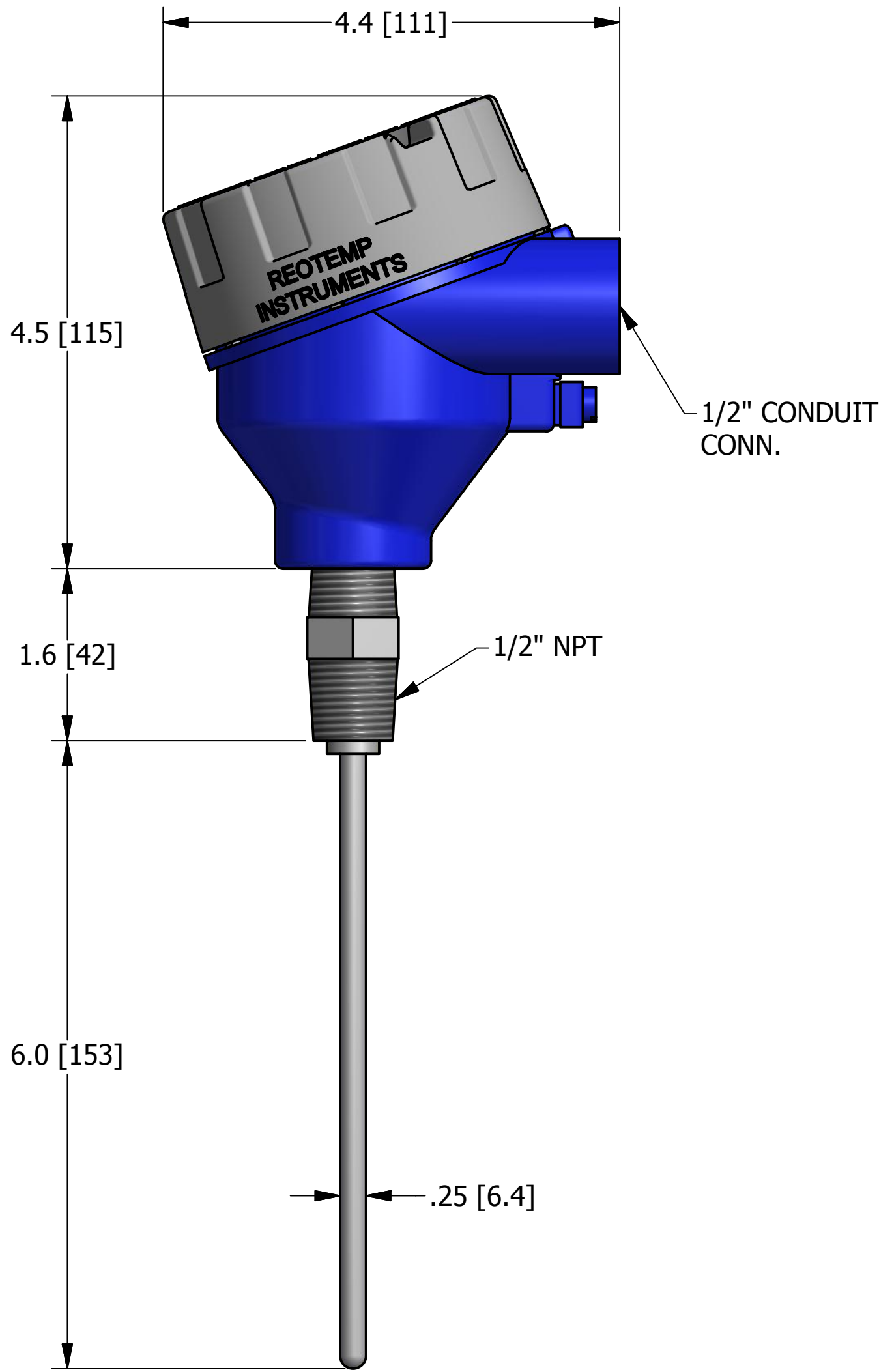


CUSTOMER'S NAME:	
CUSTOMER'S P.O. NO.:	
REOTEMP ORDER NO.:	
CERTIFIED BY:	DATE:



REVISIONS			
REV	DESCRIPTION	DATE	APPROVED
X1	INITIAL RELEASE	8/18/15	

NOTE 1	<small>UNLESS OTHERWISE SPECIFIED DIMENSIONS ARE IN INCHES & [mm] TOLERANCES ARE:</small> <small>FRACTIONS DECIMALS ANGLES</small> <small>±1/32 .X ± .2 ±5'</small> <small> .XX ± .01</small> <small> .XXX ± .005</small> <small>SURFACE FINISH 63√</small>	PART NAME: Z TEMP WITH SPRING LOADED FITTING			DATE: 8/18/15	
NOTE 2					DRAWN BY: MNeill	
NOTE 3					APPROVED:	
NOTE 4		PART NO:	SIZE: C	CAGE CODE: 24793	DWG NO:	REV: X1
NOTE 5		FIRST USED ON:	SCALE: NTS	FILE NAME:	SHEET 1 OF 1	