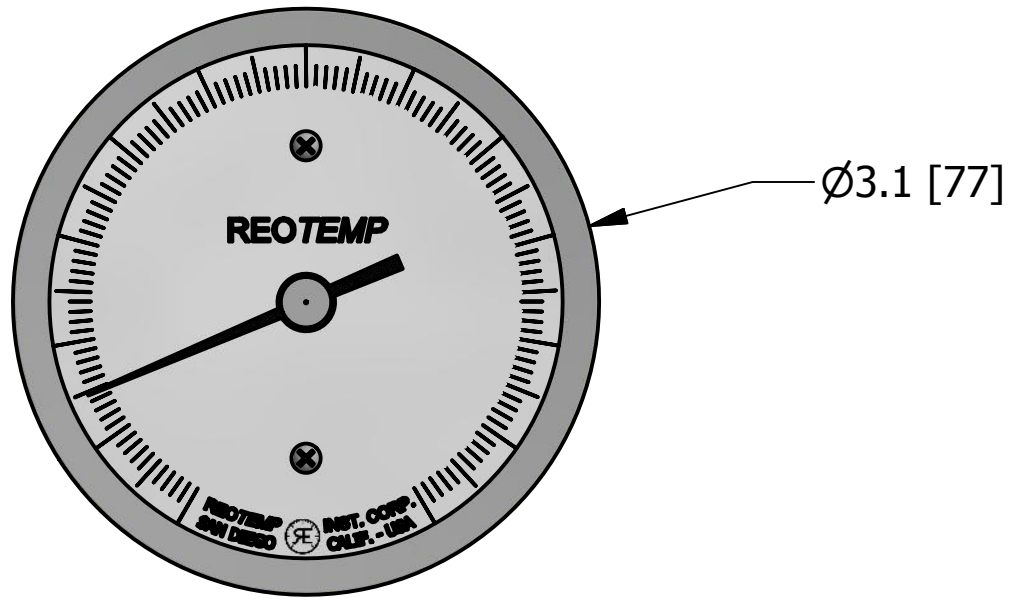
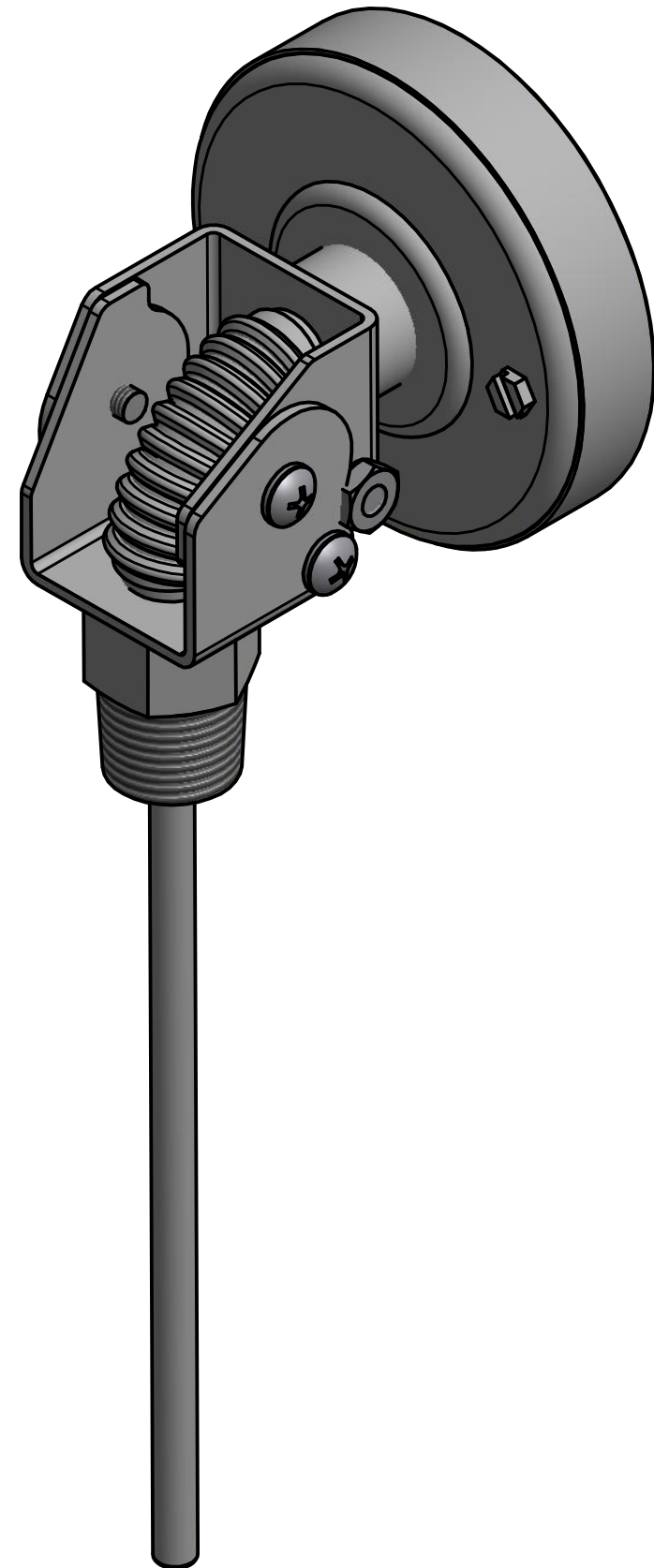
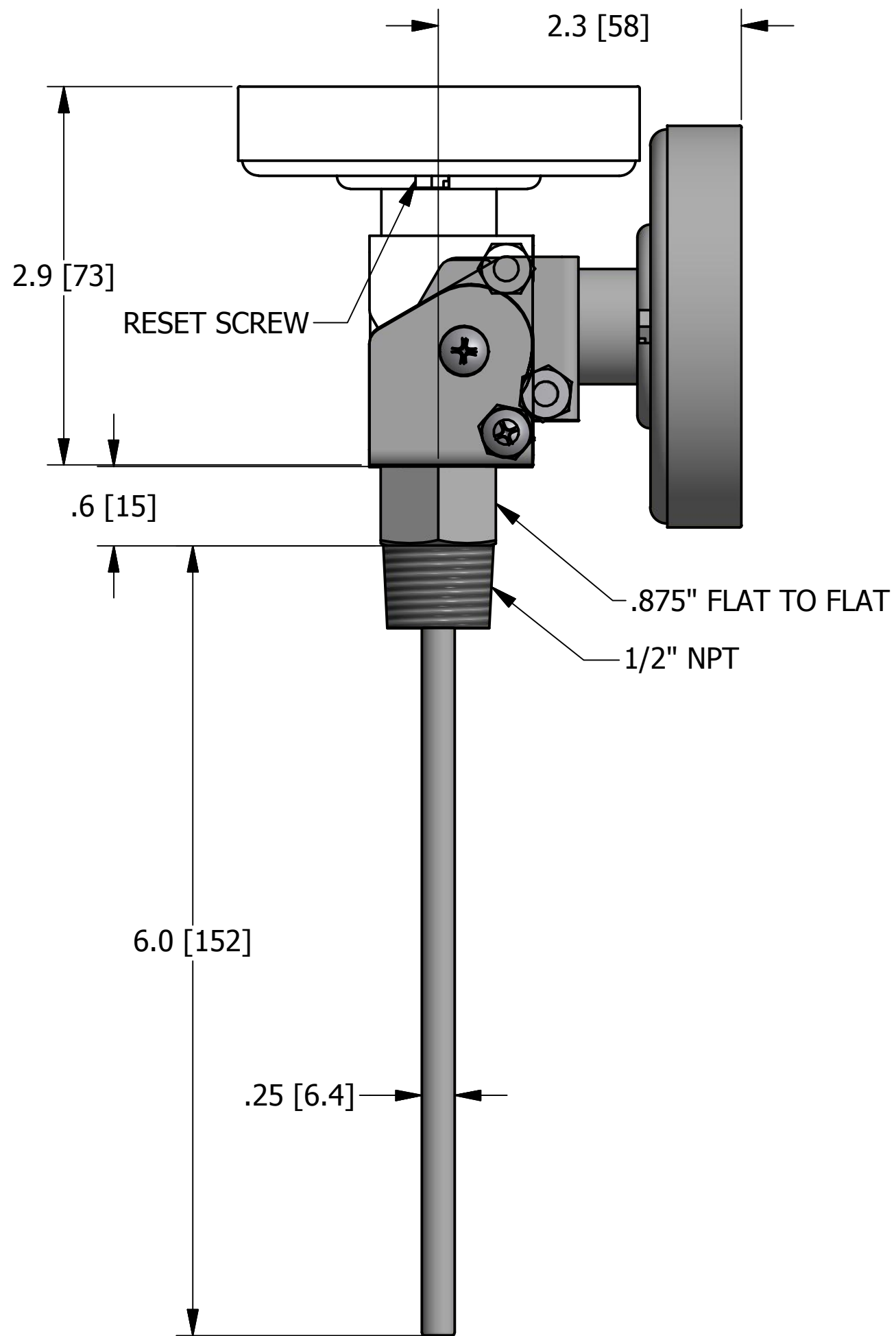


CUSTOMER'S NAME:	
CUSTOMER'S P.O. NO.:	
REOTEMP ORDER NO.:	
CERTIFIED BY:	DATE:



Ø3.1 [77]



REVISIONS

REV	DESCRIPTION	DATE	APPROVED
A	INITIAL RELEASE	8/26/15	

NOTE 1

NOTE 2

NOTE 3

NOTE 4

NOTE 5

UNLESS OTHERWISE SPECIFIED
DIMENSIONS ARE IN INCHES & [mm]
TOLERANCES ARE:

FRACTIONS	DECIMALS	ANGLES
±1/32	.X ± .2	±5°
	.XX ± .01	
	.XXX ± .005	

SURFACE FINISH 63√

PART NO:
LL0601

FIRST USED ON:

PART NAME:

**3" ADJUSTABLE ANGLE W/ RESET,
1/2" NPT, Ø1/4" x 6" STEM**

DATE:
8/26/15

DRAWN BY:
MNeill

APPROVED:

SIZE:
C

CAGE CODE:
24793

DWG NO:

REV:
A

SCALE: NTS

FILE NAME:

SHEET 1 OF 1