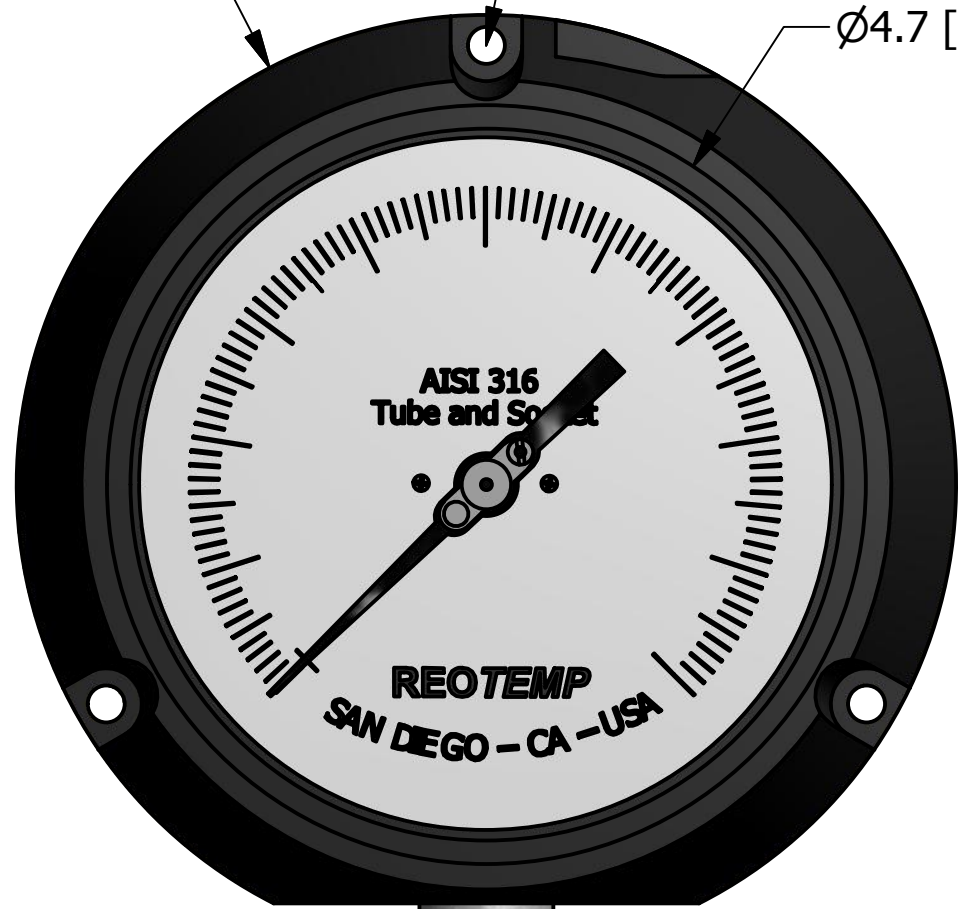


CUSTOMER'S NAME:	
CUSTOMER'S P.O. NO.:	
REOTEMP ORDER NO.:	
CERTIFIED BY:	DATE:

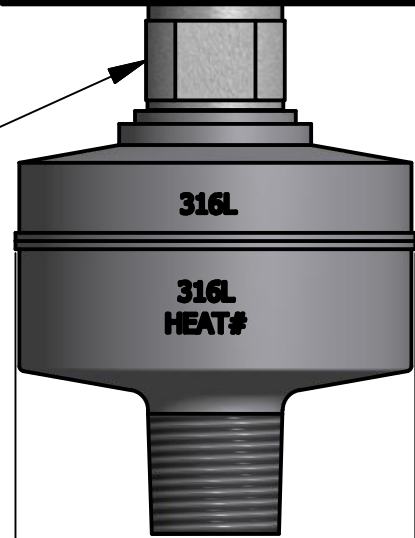
3 HOLES Ø.24 [6]
EQUALLY SPACED 120° ON
A Ø5.4 BOLT CIRCLE

R2.9 [75]

Ø4.7 [120]



7/8" SQUARE NUT

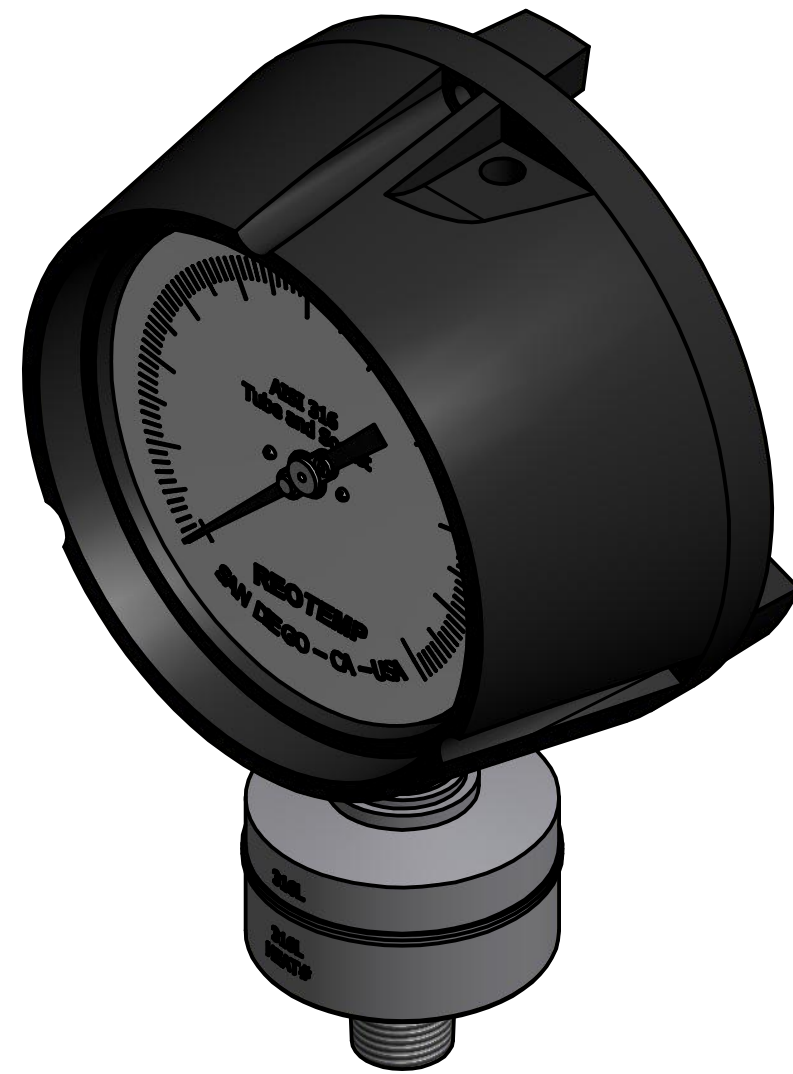
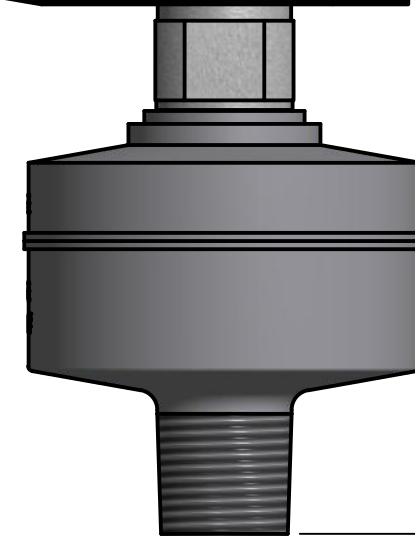


2.5 [64]

3.4 [85]



6.1 [155]



REVISIONS

REV	DESCRIPTION	DATE	APPROVED
X1	INITIAL RELEASE	8/7/15	

NOTE 1

NOTE 2

NOTE 3

NOTE 4

NOTE 5

UNLESS OTHERWISE SPECIFIED
DIMENSIONS ARE IN INCHES & [mm]
TOLERANCES ARE:

FRACTIONS	DECIMALS	ANGLES
±1/32	.X ± .2	±5°
	.XX ± .01	
	.XXX ± .005	

SURFACE FINISH 63√

PART NO:

FIRST USED ON:

PART NAME:

MS8PT

SIZE:

C

CAGE CODE:

24793

DWG NO:

SCALE: NTS

FILE NAME:

DATE:
8/7/15

DRAWN BY:
MNeill

APPROVED:

REV:
X1

SHEET 1 OF 1