

SANITARY INDICATING PRESSURE TRANSMITTER & SWITCH



TST



FEATURES / BENEFITS

- 316 Stainless Steel Wetted Parts
- All Welded Assembly
- 3 Switching Output Options
- Short Circuit, Reverse Polarity, and Over-voltage Protection
- Designed for Clean-in-Place and Sterilize-in-Place Procedures

SPECIFICATIONS

Output Signal: 4mA to 20mA or 0Vdc to 10Vdc, programmable and freely adjustable

Pressure Ranges: 0 to 75 psi through 0 psi to 750 psi

	Proof Pressure	Burst Pressure
0 -1,450 psi	2 x range	2.5 x range
0/1,500 - 0/10,000 psi	1.75 x range	1.75 x range

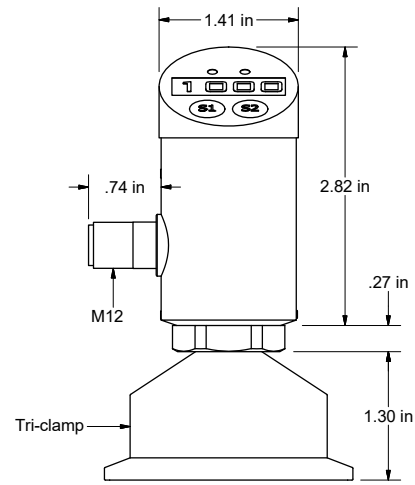
Accuracy (BFSL): ±0.5% with 1.5" and 2" Tri-Camp Size, ±1% with 3/4" Tri-Camp Size

Input: 12 Vdc to 30 Vdc

Environmental Rating: IP65, IP67 with Option "CV"

Electrical Protection: Reverse polarity, short circuit, and over-voltage

Wetted Parts: 316 Stainless Steel



TST

Note: Dimensions are nominal and may vary. Check with REOTEMP sales if dimensions are critical. Other case styles available.

HOW TO ORDER: Choose options to build a part number. For example: **TSTP17JLTC15-AG-RB**

TST	P17J	L	TC15	-AG	-RB
MODEL	RANGE	SWITCH FUNCTIONS	TRI-CLAMP® SIZE	FILL	OPTIONS
TST = Sanitary Indicating Pressure Transmitter & Switch	P17J = 0/75 psi P194 = 0/145 psi P21 = 0/300 psi P065 = -30inHg/0/145 psi See Transmitter Technical Reference on Page 2 for Additional Ranges	L = Single Switch & 4-20 mA Output M = Single Switch & 0-10 Vdc Output N = Dual Switch & No Transmitter Output P = Dual Switch & 4-20 mA Output	*TC75 = 3/4" Tri-Clamp TC15 = 1 1/2" Tri-Clamp TC20 = 2" Tri-Clamp *1% Accuracy Minimum 0-145 psi Range	-AG = Glycerin USP -BN = Neobee M20 Other fills available.	-RB = Rotatable Base -CV = Protective Cover (Increases Environmental Rating to IP67)

Tri-Clamp® is a registered trademark of Alpha Laval Inc.

TRANSMITTER TECHNICAL REFERENCE TT1/TST

TT1/TST SPECIFICATIONS

Wetted Parts: 316 Stainless Steel

Non-repeatability: <1% Full Scale

Hysteresis: 0.1% full-scale

Switch Point: 1.0 to 100% of Full Scale

Switch Hysteresis: 0 to 99% of Full Scale

Response Time: <10 ms

Operating Life: >10 million Full Scale Cycles

Temperature Ranges: Compensated: 32 °F to 176 °F (0 °C to 80 °C), Zero: ± 0.07% full scale/ °F, Span: ± 0.07% full scale/ °F, Media: -4 °F to 176 °F (-20 °C to 80 °C) (Thin film sensor), -4 °F to 176 °F (-20 °C to 80 °C) (Ceramic Sensor), Ambient: -4 °F to 158 °F (-20 °C to 70 °C), Storage: -22 °F to 176 °F (-30 °C to 80 °C)

Power Requirement: 12 Vdc to 30 Vdc

Current Consumption: <50 mA (without load)

Electromagnetic Rating: CE compliant to EMC norm, EN61326:1997/A1:1998, RFI, EMI and ESD protection

Electrical Protection: Reverse Polarity, Over Voltage, and Short Circuit Protection

Shock: >50 g's according to IEC 60068-2-27

Vibration: >10 g's according to IEC 60068-2-6

Environmental Protection: IP65

Proof Pressure: 2 times full scale for ranges vacuum through 0 psig to 1,450 psig, 1.75 times full scale for ranges 0 psig to 1,500 psig through 0 psig to 10,000 psig

Burst Pressure: 2.5 times full scale for ranges vacuum through 0 psig to 1,450 psig, 1.75 times full scale for ranges 0 psig to 1,500 psig through 0 psig 10,000 psig

SERIES		TT1	TST
Code	Range	COMPOUND RANGES	
P065	-30inHg/0/145 psi	✓	✓
Code	Range	PRESSURE RANGES	
P17J	0/75 psi	✓	✓
P194	0/145 psi	✓	✓
P21	0/300 psi	✓	✓
P27	0/750 psi	✓	✓
P305	0/1450 psi	✓	
P324	0/2400 psi	✓	
P337	0/3750 psi	✓	
P35	0/6000 psi	✓	
P37	0/10000 psi	✓	

✓ Indicates that the option is available

Note: Specifications are subject to change.

Don't See the Range You Need?
Other ranges may be available, contact REOTEMP customer service for more information.

WIRING DIAGRAMS

