

### INSTRUMENTS

#### Installation:

Reotemp pressure transmitters/transducers may be mounted in any plane with negligible effect on performance. Although these units are designed and manufactured to withstand substantial shock and vibration, it is recommended that they be mounted in an area of minimal vibration. Always use a wrench on the wrench flats when installing. NEVER use a pipe wrench on the housing or in the area of the electrical connection.

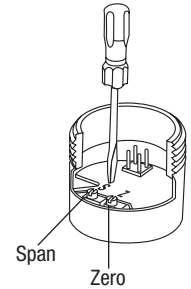
#### Maintenance/Calibration:

Reotemp pressure transmitters/transducers require no maintenance. Recalibration is dependent on the users Quality Assurance Program. If no program is in place, Reotemp recommends a 1 year cycle.

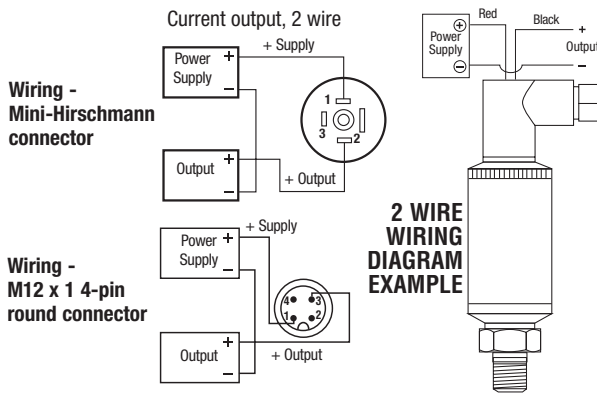
#### Alignment Procedure (applies only to TG and TH series):

Using a pressure source and meter with adequate accuracy, perform the following steps:

- Open sensor
- With no pressure applied, adjust the "Z" potentiometer for the correct Zero output
- Apply the correct full scale pressure to the unit
- Adjust the "S" potentiometer for the correct Span output



### SERIES TG



#### Load Limitations 4 mA to 20 mA Output Only

$$V_{min} = 10V + (.020 \times R_L)$$

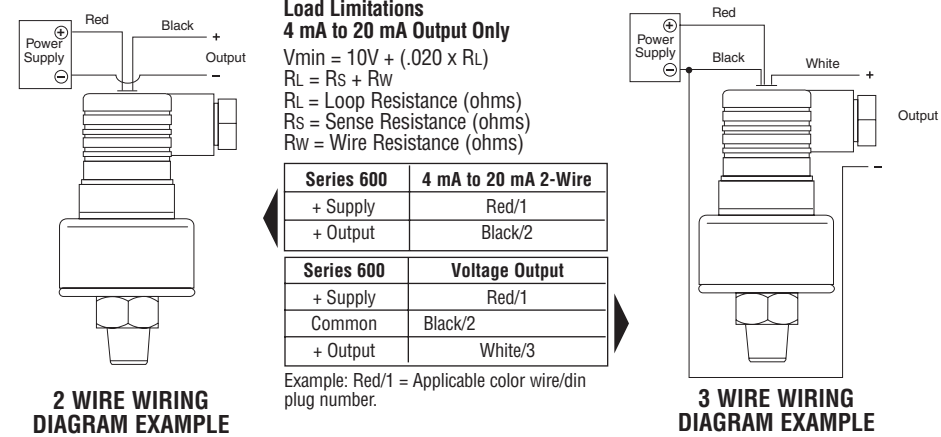
$$R_L = R_s + R_w$$

$R_L$  = Loop Resistance (ohms)  
 $R_s$  = Sense Resistance (ohms)  
 $R_w$  = Wire Resistance (ohms)

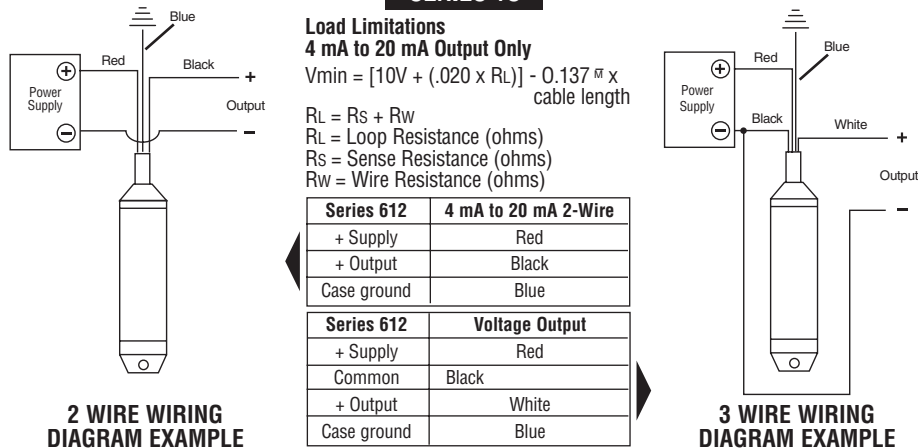
Series 100	4 mA to 20 mA 2-Wire
+ Supply	Red/1/A/1/Brown
+ Output	Black/2/B/3/Blue

Example: Red/1/A/1 = Applicable color wire/din plug number/bendix pin/M12 x 1 pin number/M12 color wire

### SERIES TM



### SERIES TS



### SERIES TH

