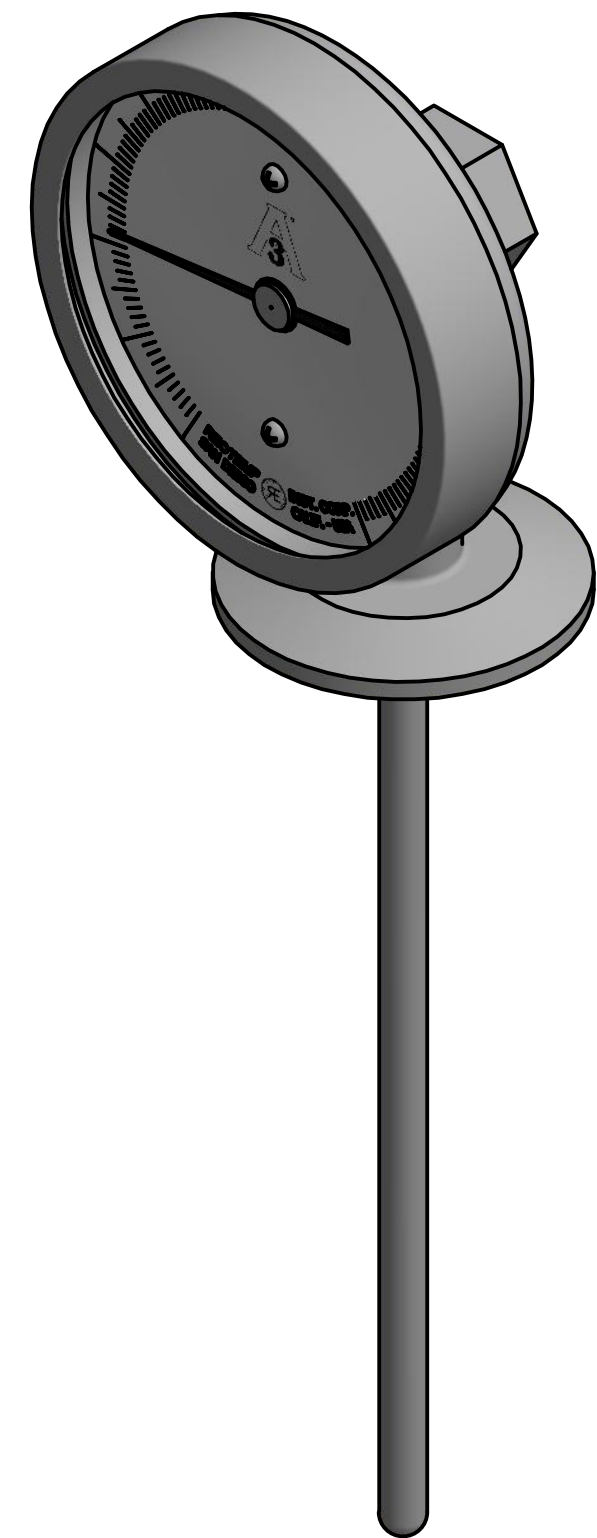
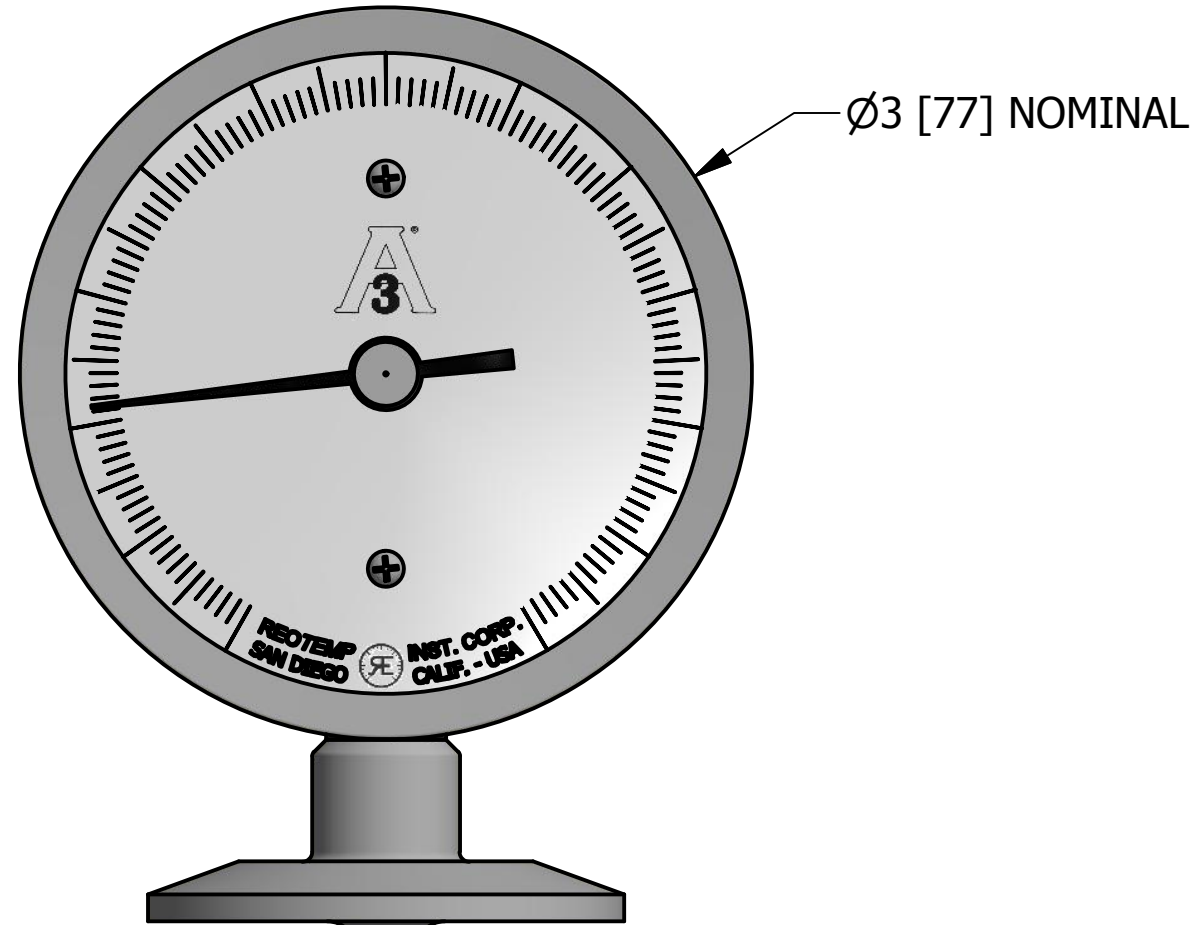
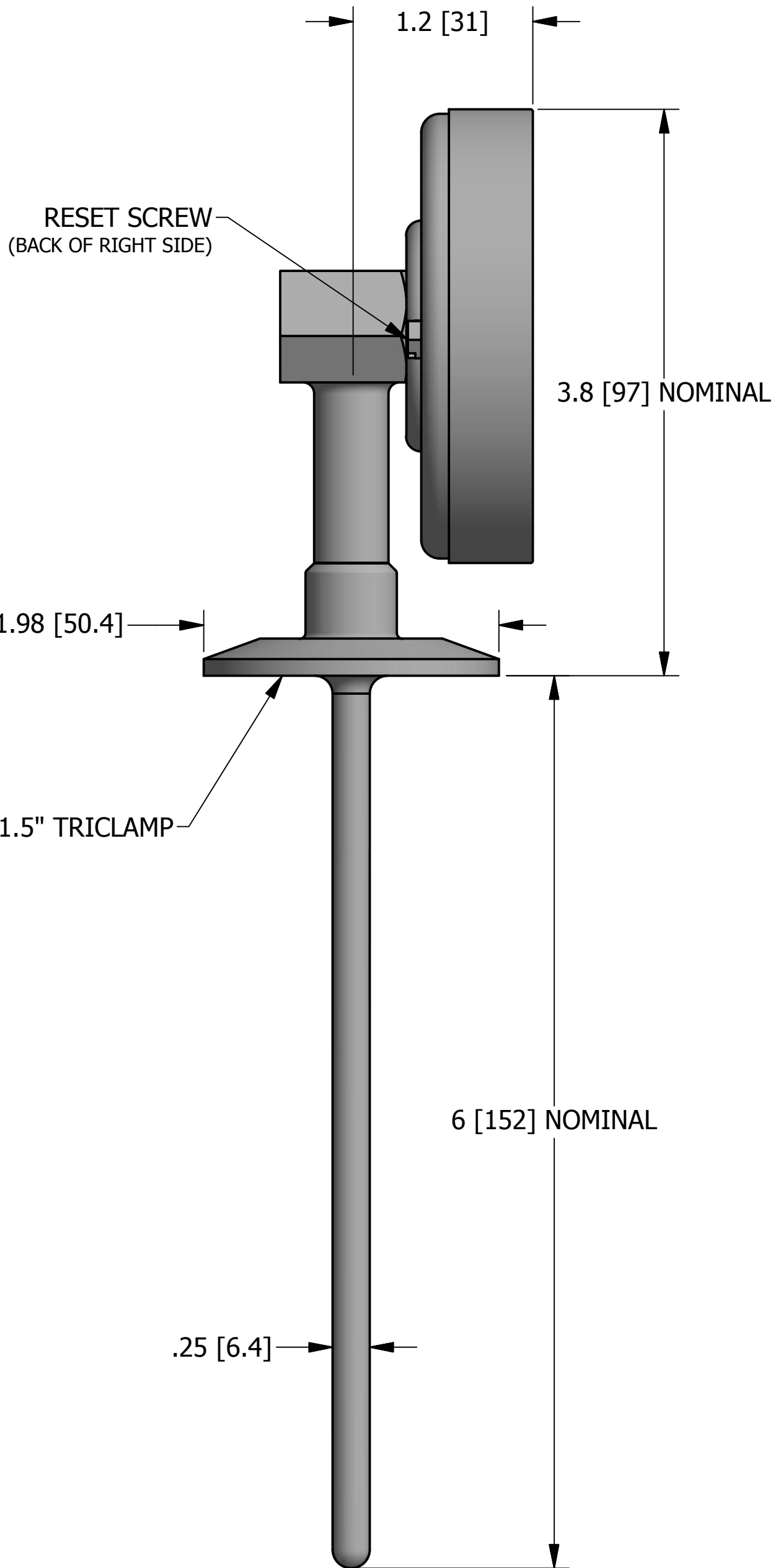


CUSTOMER'S NAME:	
CUSTOMER'S P.O. NO.:	
REOTEMP ORDER NO.:	
CERTIFIED BY:	DATE:



REVISIONS

REV	DESCRIPTION	DATE	APPROVED
A	INITIAL RELEASE	9/2/15	

WETTED MATERIAL: 316/316L STAINLESS STEEL

NOTE 2

NOTE 3

NOTE 4

NOTE 5

UNLESS OTHERWISE SPECIFIED
DIMENSIONS ARE IN INCHES & [mm]
TOLERANCES ARE:

FRACTIONS DECIMALS ANGLES
±1/32 .X ± .2 ±5'
.XX ± .01
.XXX ± .005

SURFACE FINISH 63√

PART NO:
XR060C

FIRST USED ON:

PART NAME:

**3" BOTTOM CONNECT W/ RESET,
1.5" TRICLAMP, Ø1/4" x 6" STEM**

SIZE:
C

CAGE CODE:
24793

DWG NO:

DATE:
9/2/15

DRAWN BY:
MNeill

APPROVED:

REV:
A

SCALE: NTS

FILE NAME:

SHEET 1 OF 1