

## COMPACT OEM TRANSMITTER



TM



TM with Mini-Hirschmann

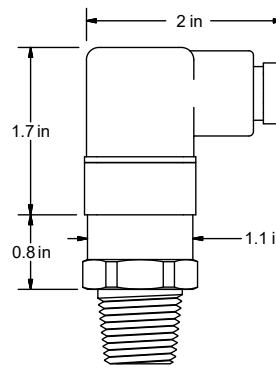


### FEATURES / BENEFITS

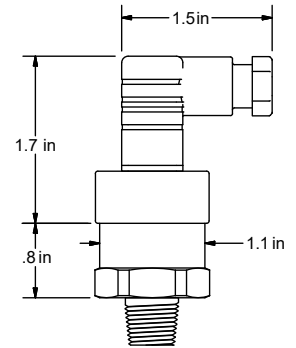
- Reliable, Economical
- 0.5% Accuracy
- 4-20 mA or Voltage Output
- Shock Resistant, High Over-range Protection
- All-stainless Body and Wetted Parts

### SPECIFICATIONS

<b>Output Signal</b>	4-20mA, 2-wire (standard), 0-10Vdc (3-wire)		
<b>Pressure Ranges</b>	Vacuum, compound, pressure to 15,000 psi		
		<b>Proof Pressure</b>	<b>Burst Pressure</b>
	0/5 - 0/200 psi	3 x range	3.8 x range
	0/300 - 0/10,000 psi	1.75 x range	2.6 x range
	0/15,000 psi	1.5 x range	3 x range
<b>Accuracy (BFSL)</b>	±0.5% of span (standard), includes repeatability, hysteresis and linearity		
<b>Input</b>	10-30Vdc (for current output) 14-30Vdc (for voltage output)		
<b>Temperature</b>	Compensated: 32 to 175°F Effect: ±0.02% of span/°F (on zero and span) Media: -22 to 212°F (-30/100°C) Ambient: -22 to 175°F (-30/80°C)		
<b>Weight</b>	Approximately 2.8 oz		
<b>Environmental Rating</b>	IP65		



TM with Hirschmann



TM with Mini-Hirschmann

Note: Dimensions are nominal and may vary. Check with REOTEMP sales if dimensions are critical. Other case styles available. 1/4" NPT Male connection is standard, other connections available.

TRANSMITTERS

**HOW TO ORDER:** Choose options to build a part number. For example: **TM1P181A4B00P-TS**

MODEL	RANGE	ACCURACY	OUTPUT SIGNAL	PROCESS CONNECTION	ELECTRICAL CONNECTION	DISPLAY	OPTIONS
<b>TM1</b>	<b>P18</b>	<b>1</b>	<b>A</b>	<b>4</b>	<b>B00</b>	<b>P</b>	<b>-TS</b>
TM = Compact OEM Transmitter	See Transmitter Technical Reference on 108	1 = ±0.5% Full Scale	A = 4-20mA (2-wire) (standard) B = 1-5Vdc (3-wire) C = 1-6Vdc (3-wire) E = 0-10Vdc (3-wire)	4 = 1/4" NPT Male (Standard) 2 = 1/2" NPT Male	B00 = Hirschmann, No Cable (DIN EN 175301-803 Form A) B?? = Hirschmann (?? = ft. of cable) A00 = Mini-Hirschmann, No Cable (DIN EN 175301-803 Form C) A?? = Mini-Hirschmann, No Cable (?? = ft. of cable) *M00 = M12 x 1 (4-pin) *Mating connector sold separately.	P = Digital Display (Hirschmann connection and 4-20 output required) X = No Display	-RS = Threaded Restrictor Screw -TS = Stainless Steel Tag (1-10 Characters)

## TRANSMITTER TECHNICAL REFERENCE

### SPECIFICATIONS

**Wetted Parts:** Body: 316 SS for ranges under 400 psi, high pressure ranges 17-4PH SS diaphragm and 300 series SS pressure chamber.

**Repeatability:** 0.05% of scale (model TM, 0.2%)

**Hysteresis:** 0.1% full-scale

**Stability:** 0.2% full-scale (model TM, 0.5%)

**Burst Pressure:** 4 x range

**Response Time:** <1 ms (between 10-90% of scale), Model TM: <5ms

**Operating Life:** 100 million cycles

**Electromagnetic Rating:** CE compliant to EMC norm, EN61326:1997/A1:1998, RFI, EMI and ESD protection

**Electrical Protection:** Reverse Polarity, over voltage, and short circuit protection

**SHOCK:** Less than ± 0.05% full-scale effect for 1,000 g's @ 2ms on any axis (model TM: 600 g's)

**Vibration:** Less than ± 0.01% full scale effect for 15 g's @ 0-2,000 Hz on any axis (model TG: less than 0.05% full scale effect for 20 g's @ 5-2,000 Hz on any axis.)

**Temperature Range for Storage:** -40-212°F

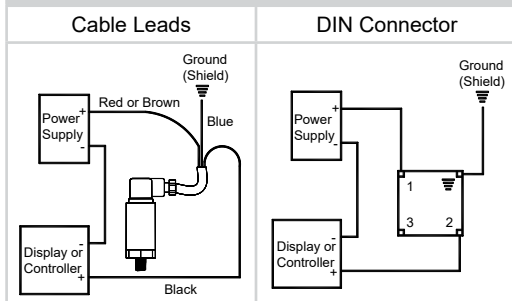
**Environmental Protection:** NEMA 4x (IP65), Series TL: NEMA 6, IP68

**Proof Pressure:** At Proof Pressure, zero and span may shift but no permanent damage has occurred.

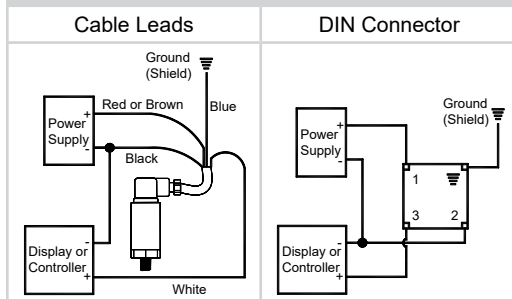
**Burst Pressure:** At Burst Pressure, permanent non-recoverable damage may occur.

### WIRING DIAGRAMS

#### 4-20 mA, 2 Wire System



#### Voltage Output, 3 Wire System



SERIES	TSA	TSB	TSC	TG1	TM	TE	TH1	THX	TL1
<b>Code</b>	<b>Range</b>	<b>VACUUM</b>							
P01	-30"Hg VAC	✓	✓	✓	✓	✓	✓	✓	✓
<b>Code</b>	<b>Range</b>	<b>COMPOUND RANGES</b>							
P02	-30"/0/15psi	✓	✓	✓	✓		✓	✓	
P03	-30/0/30 psi	✓	✓	✓	✓		✓		
P04	-30/0/60 psi	✓	✓	✓	✓				
P05	-30/0/100 psi	✓	✓	✓	✓		✓		
P06	-30/0/150 psi	✓	✓	✓	✓				✓
P07	-30/0/200 psi						✓		
P08	-30/0/300 psi	✓	✓	✓	✓				
<b>Code</b>	<b>Range</b>	<b>PRESSURE RANGES</b>							
IN50	0/50 inH <sub>2</sub> O							✓	✓
IN100	0/100 inH <sub>2</sub> O				✓			✓	✓
IN200	0/200 inH <sub>2</sub> O								✓
L11	0/55 INWC			✓				✓	
L12	0/80 INWC			✓				✓	
L13	0/140 INWC	✓	✓	✓	✓			✓	
L14	0/280 INWC	✓	✓	✓	✓			✓	
P11	0/2 psi			✓				✓	✓
P12	0/3 psi			✓				✓	✓
P13	0/5 psi	✓	✓	✓	✓			✓	✓
P14	0/10 psi	✓	✓	✓	✓			✓	✓
P15	0/15 psi	✓	✓	✓	✓	✓	✓	✓	✓
P16	0/30 psi	✓	✓	✓	✓	✓	✓	✓	✓
P17	0/60 psi	✓	✓	✓	✓	✓	✓	✓	✓
P18	0/100 psi	✓	✓	✓	✓	✓	✓	✓	✓
P195	0/150 psi	✓	✓	✓	✓			✓	✓
P20	0/200 psi	✓	✓	✓	✓	✓	✓	✓	✓
P21	0/300 psi	✓	✓	✓	✓	✓	✓	✓	✓
P26	0/500 psi	✓	✓	✓	✓	✓	✓	✓	✓
P23	0/600 psi	✓	✓	✓	✓	✓		✓	
P27	0/750 psi	✓	✓	✓	✓	✓	✓	✓	✓
P25	0/1000 psi	✓	✓	✓	✓	✓	✓	✓	✓
P30	0/1500 psi				✓	✓		✓	
P31	0/2000 psi				✓	✓		✓	
P32	0/3000 psi				✓	✓		✓	
P34	0/5000 psi				✓	✓		✓	✓
P35	0/6000 psi				✓	✓		✓	
P28	0/7500 psi				✓	✓		✓	✓
P37	0/10000 psi				✓	✓		✓	✓
P38	0/15000 psi				✓	✓		✓	✓
P39	0/20000 psi							✓	
P40	0/30000 psi							✓	
P41	0/40000 psi							✓	
P42	0/50000 psi							✓	
P43	0/60000 psi							✓	
<b>Code</b>	<b>Range</b>	<b>ABSOLUTE RANGES</b>							
A15	0/15 psia	✓	✓		✓				
A16	0/30 psia	✓	✓		✓				
A17	0/60 psia	✓	✓		✓				
A18	0/100 psia	✓	✓		✓				
A19	0/150 psia	✓	✓		✓				
A20	0/200 psia	✓	✓		✓				
A21	0/300 psia	✓	✓		✓				

✓ Indicates that the option is available  
 Note: Specifications are subject to change.

**Don't See the Range You Need?**  
 Other ranges may be available, contact REOTEMP customer service for more information.