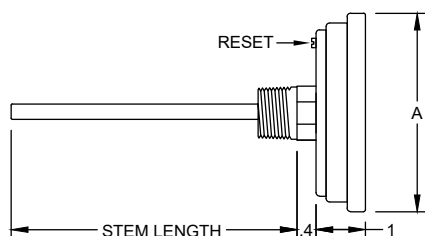


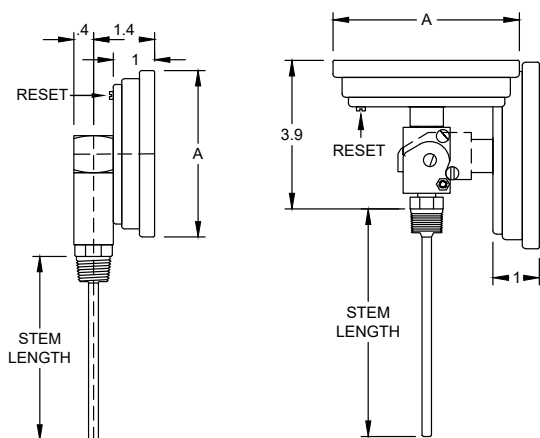
## O-TEMP™ BIMETAL THERMOMETERS

REOTEMP's O-TEMP Bimetal Thermometers are reliable and accurate temperature sensors requiring no electricity or wiring. The O-TEMP line is designed for OEM applications in a variety of industrial applications where a more economical option is needed. They can be recalibrated with a turn of the calibration screw on the back of the dial. A variety of options are available for your specific process needs.



All dimensions are in inches.

Model	Dial Size	Connection	A
AO	3"	1/2" NPT	3.3"
CO	4"	1/2" NPT	4.3"
BO	5"	1/2" NPT	5.3"



All dimensions are in inches.

Model	Dial Size	Connection	A	Model	Dial Size	Connection	A
XO	3"	1/2" NPT	3.3"	LO	3"	1/2" NPT	3.3"
YO	4"	1/2" NPT	4.3"	MO	4"	1/2" NPT	4.3"
VO	5"	1/2" NPT	5.3"	JO	5"	1/2" NPT	5.3"

### FEATURES / BENEFITS

- All-Stainless Construction
- Hermetically Sealed
- Standard External Reset for Easy Calibration
- One Year Warranty

### SPECIFICATIONS

<b>Accuracy</b>	Back and Adjustable: $\pm 1.5\%$ Full Scale Bottom: $\pm 2\%$ Full Scale
<b>Dial Size</b>	3", 4" or 5"
<b>Dial Material</b>	White background with black marks.
<b>Stem Length</b>	2" to 36"
<b>Stem Diameter</b>	1/4"
<b>Head, Bezel, Mounting Bushing, Stems</b>	304SS
<b>Operating Conditions</b>	Head temperature should not exceed 200°F. Stem should not be exposed to continuous temperatures exceeding 50% over-range or 800°F.
<b>Environmental Protection</b>	IP65, Hermetically Sealed
<b>Lens</b>	Glass (Standard), Acrylic, Polycarbonate, Tempered Glass, or Laminated Safety Glass
<b>Immersion</b>	Minimum 2" in liquid, and 4" in gas for most ranges. Certain ranges require up to 4" in liquids & 5" in gas.
<b>Mounting Connection</b>	1/2" NPT (Standard), 1/4" NPT, or 1/2" BSPT
<b>Temperature Sensing Area</b>	Last 2" to 4" of the stem

## O-TEMP™ BIMETAL THERMOMETERS

MODELS TYPICALLY IN STOCK		
3" Dial, Back Connect, 1/2" NPT		
	0/250°F	50/550°F
2.5" Stem	AO0251F47	AO0251F69
4" Stem	AO0401F47	AO0401F69
6" Stem	AO0601F47	AO0601F69
9" Stem	AO0901F47	AO0901F69
12" Stem	AO1201F47	
5" Dial, Adjustable Angle, 1/2" NPT		
	0/250°F	50/550°F
2.5" Stem	JO0251F47	JO0251F69
4" Stem	JO0401F47	JO0401F69
6" Stem	JO0601F47	JO0601F69
9" Stem	JO0901F47	JO0901F69

### CUSTOM ORDER (MINIMUM QUANTITIES MAY APPLY)

**HOW TO ORDER:** Choose options to build a part number. For example: **AO0251F23**

**AO**

**025**

**1**

**F23**

DIAL SIZE & STYLE	STEM LENGTH	CONNECTION	TEMPERATURE RANGE
<p><i>Back Connect</i></p> <p><b>AO</b> = 3" Dial w/ Reset</p> <p><b>CO</b> = 4" Dial w/ Reset</p> <p><b>BO</b> = 5" Dial w/ Reset</p> <p><i>Adjustable Angle</i></p> <p><b>LO</b> = 3" Dial w/ Reset</p> <p><b>MO</b> = 4" Dial w/ Reset</p> <p><b>JO</b> = 5" Dial w/ Reset</p> <p><i>Bottom Connect</i></p> <p><b>XO</b> = 3" Dial w/ Reset</p> <p><b>YO</b> = 4" Dial w/ Reset</p> <p><b>VO</b> = 5" Dial w/ Reset</p>	<p><b>025</b> = 2.5"</p> <p><b>040</b> = 4"</p> <p><b>060</b> = 6"</p> <p><b>090</b> = 9"</p> <p><b>120</b> = 12"</p> <p><b>150</b> = 15"</p> <p><b>180</b> = 18"</p> <p><b>240</b> = 24"</p> <p><b>300</b> = 30"</p> <p><b>360</b> = 36"</p> <p>Note: Intermediate stem lengths available up to 80".</p>	<p><b>1</b> = 1/2" NPT</p> <p><b>4</b> = 1/4" NPT</p> <p><b>B</b> = 1/2" BSPT</p>	<p><i>Fahrenheit Ranges</i></p> <p><b>F23</b> = -40°F to 160°F</p> <p><b>F47</b> = 0°F to 250°F</p> <p><b>F69</b> = 50°F to 550°F</p> <p><i>Celsius Ranges</i></p> <p><b>C43</b> = 0°C to 100°C</p> <p><b>C69</b> = 0°C to 300°C</p> <p><i>For Additional Custom Ranges See Master Range Code Sheet on Page 141</i></p>

**Note:** Thermowells should be used whenever the stem or bulb would be exposed to pressure, corrosion, velocity, abrasion or shear forces. Thermowells also make it possible to remove the thermometer without losing pressure or the contents of the process.

# BIMETAL TEMPERATURE RANGE CODE MASTER LIST

## FAHRENHEIT RANGES

Code	°F Range	Div.
F03	-100/100	2
F05	-100/200	2
F07	-80/120	2
F11	-70/150	2
F19	-50/300	5
F21 <sup>†</sup>	-40/120	2
F23	-40/160	2
F25	-40/180	2
F26	-40/200	2
F27 <sup>‡</sup>	-40/70	1
F31 <sup>†</sup>	-20/120	2
F33	-20/425	5
F35 <sup>‡</sup>	0/100	1
F37 <sup>†</sup>	0/140	2
F39 <sup>†</sup>	0/150	1
F43	0/200	2
F45	0/220	2
F47	0/250	2
F49	0/300	2
F50	0/500	5
F51	0/600	10
F53	20/240	2
F55 <sup>‡</sup>	25/125	1
F57 <sup>‡</sup>	30/130	1
F63	50/300	2
F65	50/400	5
F67	50/500	5
F69	50/550	5
F71	50/650	10
F73	50/750	10
F78	100/600	5
F79	100/800	10
F81	150/750	10
F82	200/700	20
F83	200/300	2
F84	100/900	5
F85	200/1000	10
F89	250/600	5
F91	300/400	2
F92	0/1200	2

## CELSIUS RANGES

Code	°C Range	Div.
C01	-80/220	2
C03	-70/70	2
C06	-70/30	1
C07	-50/50	1
C08	-60/120	2
C09 <sup>‡</sup>	-50/0	1
C15	-50/100	2
C17	-50/200	2
C19	-40/160	2
C20	-60/300	5
C23	-40/70	1
C24	-40/350	5
C27 <sup>‡</sup>	-30/30	1
C31 <sup>†</sup>	-20/40	1
C32	-20/60	
C33	-20/220	2
C34	-20/320	5
C35 <sup>‡</sup>	0/30	.5
C37 <sup>‡</sup>	0/60	1
C38 <sup>†</sup>	0/80	
C43	0/100	1
C47	-20/200	2
C53	-10/110	1
C55 <sup>‡</sup>	0/50	.5
C56	0/120	1
C59	0/150	1
C60	50/150	
C61	0/160	2
C63	10/150	2
C65	0/200	2
C67	0/250	2
C69	0/300	2
C71	0/300	5
C73	0/400	5
C74	0/450	5
C75	0/500	5
C79	50/450	5
C81	50/400	5
C85	100/500	5
C87	100/550	5

## DUAL RANGES

Code	°F & °C Range
D01	-150/400 & 100/200
D03	-100/100 & -70/40
D07	-80/120 & -60/50
D15	-50/210 & -50/100
D19	-50/300 & -40/160
D23	-40/160 & -40/70
D37 <sup>†</sup>	0/140 & -15/60
D39 <sup>†</sup>	0/150 & -20/65
D41 <sup>†</sup>	0/160 & -15/70
D43	0/200 & -10/90
D45	0/220 & -10/100
D47	0/250 & -20/120
D49	0/300 & -10/150
D53	20/240 & -10/115
D55 <sup>‡</sup>	25/125 & -5/50
D63	50/300 & 10/150
D65	50/400 & 10/200
D67	50/500 & 10/260
D69	50/550 & 10/290
D77	100/450 & 40/230
D79	100/800 & 40/400
D81	150/750 & 70/400
D85	200/1000 & 100/500
D87	200/1000 & 100/550

‡ Minimum stem length is 4".

† For 2.5" stem, all bottom connect and all-angle models require adapter P/N AD22S.