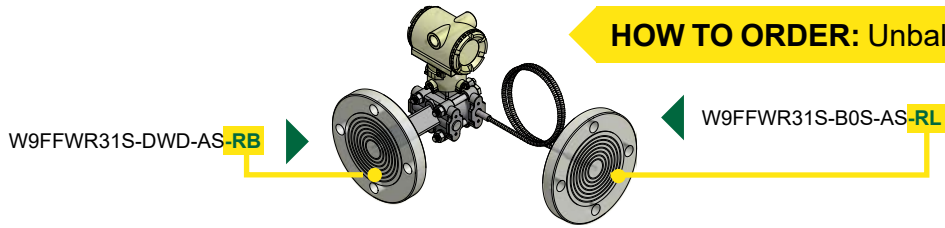


# Diaphragm Seals

## SMART TRANSMITTER ATTACHMENT

### HOW TO ORDER: Unbalanced System Example

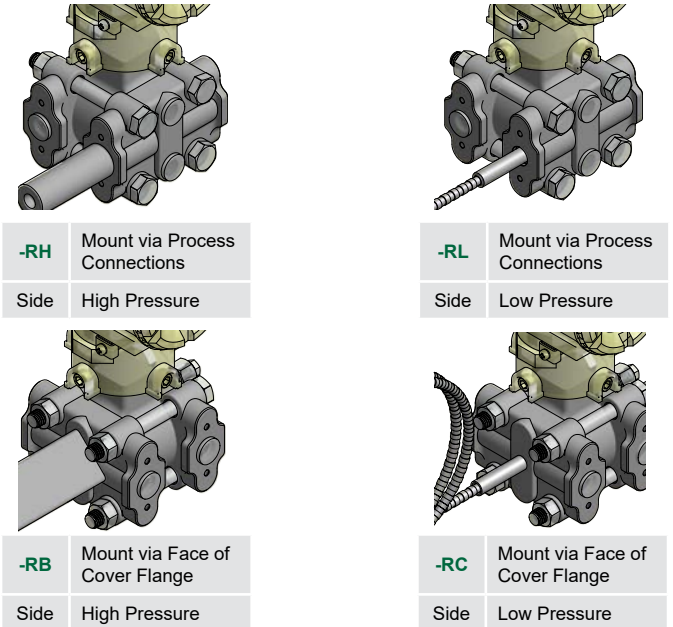
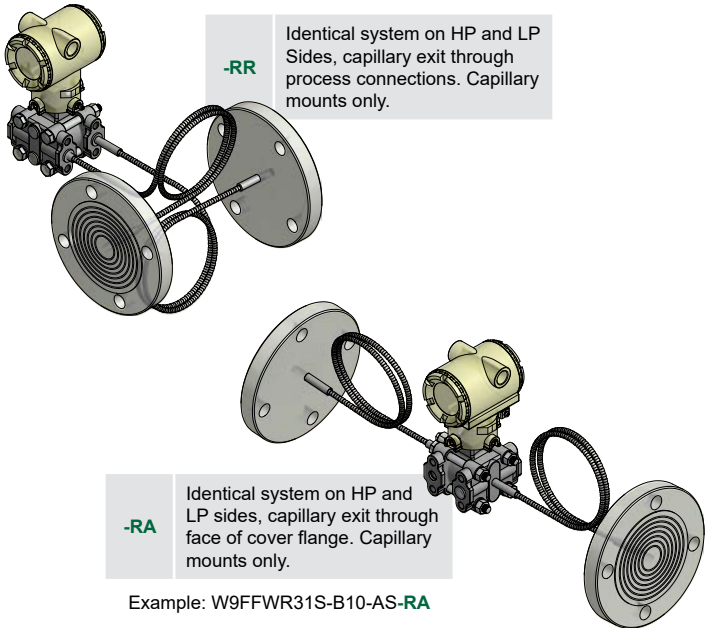


### DIFFERENTIAL PRESSURE ASSEMBLY

**Balanced System** A complete assembly with one part number that includes two diaphragm seals, two capillaries, two fills, and one complete assembly calibration certificate.

**Unbalanced DP System** Where seal, mount, capillary, or fill is not identical. A complete assembly includes one diaphragm seal on the HP side AND one diaphragm seal on the LP side.

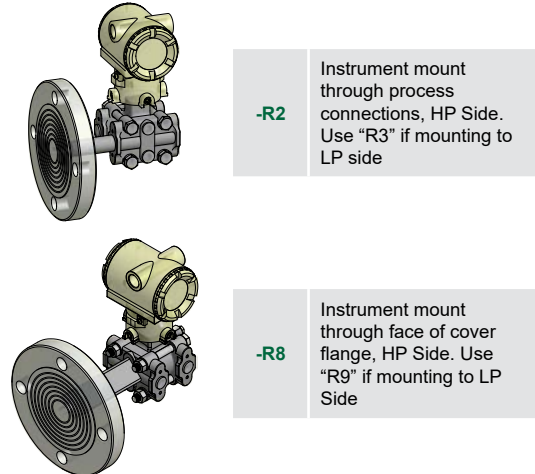
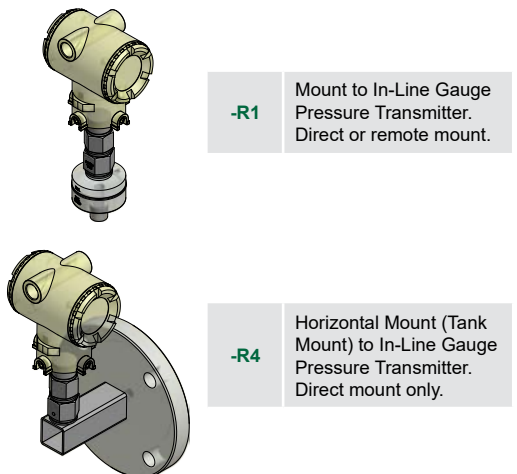
DIAPHRAGM SEALS



### GAUGE PRESSURE ASSEMBLY

#### In Line Pressure Transmitter

**Traditional Mount for Gauge Pressure** Seal mount on one side only, other side is vented.

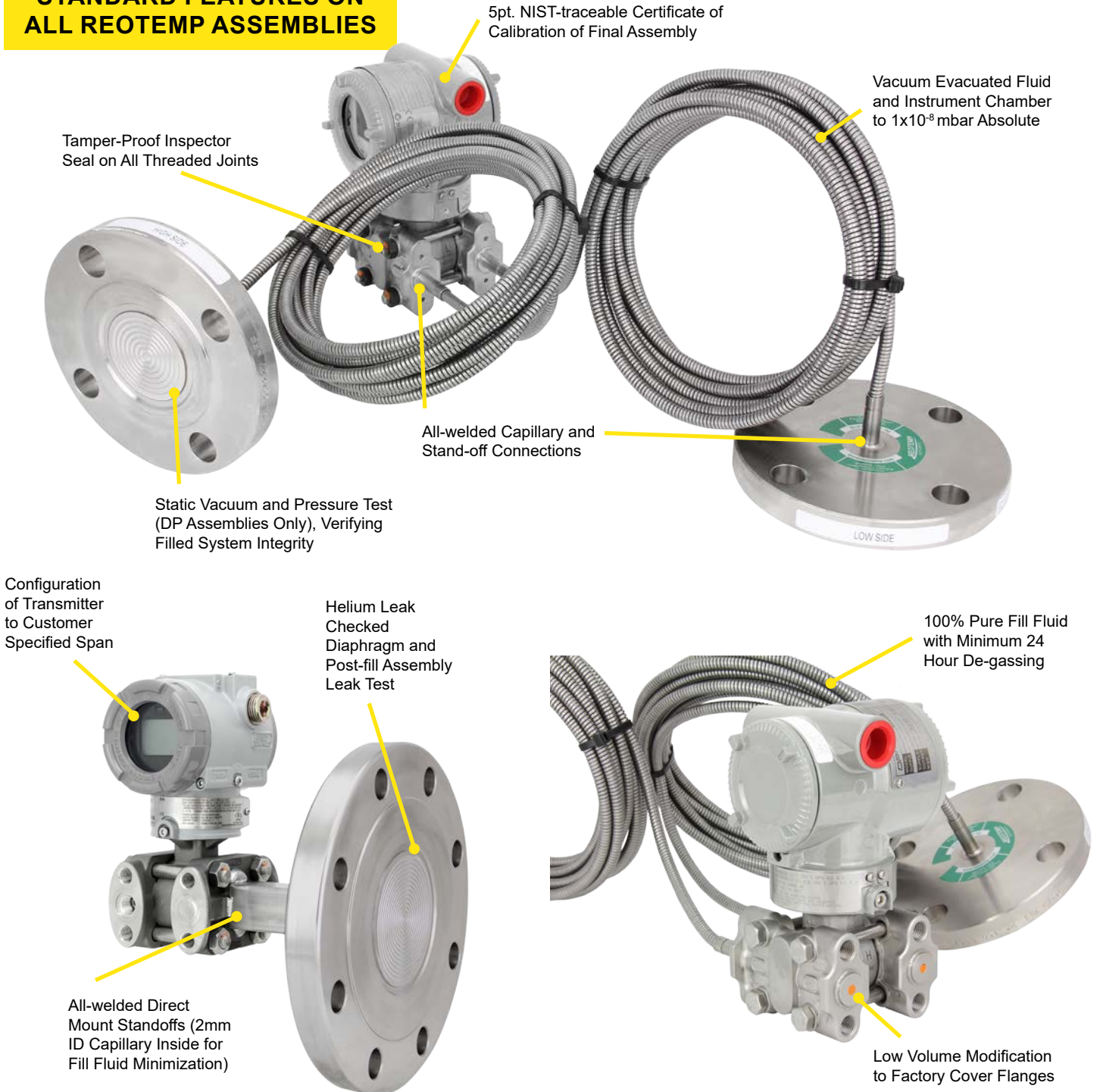


# Diaphragm Seals

## DIAPHRAGM SEAL ASSEMBLY TO SMART TRANSMITTERS

REOTEMP specializes in the unique craft of assembling diaphragm seals to field transmitters for the purpose of measuring pressure, differential pressure, level, and flow. As a trusted supplier to many of the world's leading transmitter manufacturers, REOTEMP can assemble a diaphragm seal system to virtually any make or model transmitter. Every transmitter mount includes the features below to ensure superior performance and durability for every assembly. REOTEMP also offers repair, refurbishment or replacement of used transmitters with remote seals.

### STANDARD FEATURES ON ALL REOTEMP ASSEMBLIES



DIAPHRAGM SEALS