

MECHANICAL PRESSURE SWITCH



PS

REOTEMP's Mechanical Pressure Switches are suited for a variety of process applications where electrical devices must be turned on or off, in response to changing process pressure.



Diaphragm Seal
Compatible



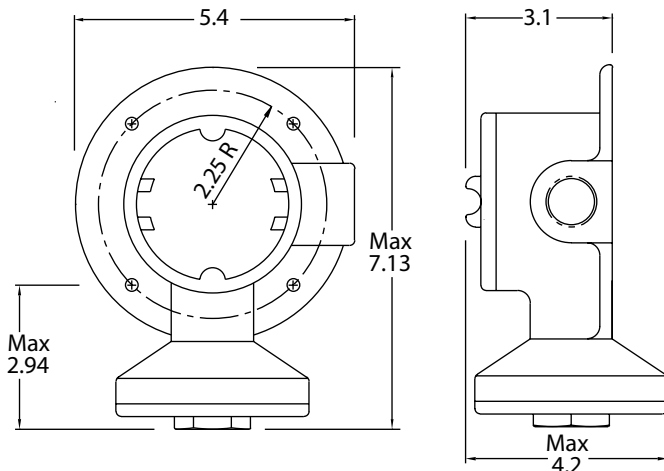
FEATURES / BENEFITS

- Reliable Piston-Actuated, Force Balanced Construction
- Rugged, High Cycle Rate Tolerance
- Precise Resolution of Set Points
- Field-adjustable Set Points
- Simple Installation Requiring no Special Tools
- Long Service Life - no Required Periodic Service, no Spare Parts Required
- UL, CSA Certified Switching Elements

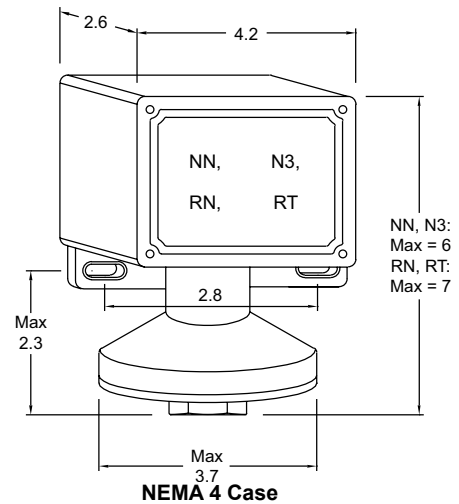
SPECIFICATIONS

Switching Elements	SPDT or DPDT
Current Capacity	15A at 250VAC; 5A at 30VAC
Housing	NEMA4, 4X, or Explosion Proof (Class. 1, Group C&D; Class. 2, Group E,F,G, Division 1,2)
Electrical Outlet	3/4" Female NPT
Adjustable Setpoints	From full vacuum to 550 psi.
Wetted Diaphragm	Teflon/Buna, 316SS/Viton.
Wetted Pressure Points	316SS, Aluminum, Cast Iron
Repeatability	1% per ISA/ANSI S51.1
Overrange	200 psi to 1,500 psi
Warranty	3 years

Note: Specifications are for standard switches shown on next page. A wide variety of alternative housings, ranges, switches, wetted parts and options are available.



Explosion Proof Case



NEMA 4 Case

MECHANICAL PRESSURE SWITCH

HOW TO ORDER: Choose options to build a part number. For example: **PS1264N3KM4C1-YY**

PS1264

N3

K

M4

PRESSURE RANGE (SET POINT MUST BE WITHIN RANGE)					HOUSING	SWITCH	DIAPHRAGM
Overrange	Proof	Code	Range	Typical Dead Band (At Midpoint)	<p><i>Weather Tight NEMA 4, 4X, IP65</i> NN = Aluminum, One Outlet (R) N3 = Aluminum, Two Outlets (L+R) RN = Aluminum, with 6-place Terminal Block, One Outlet (R) RT = 316SS, with 6-place Terminal Block, One Outlet (R)</p> <p><i>Explosion Proof (Class 1, Group C&D; Class II, Group E,F&G, Division. 1,2</i> L = Cast Iron, One Outlet (R), Housing is Weather Tight with CG Option (If selecting the KK switch, select housing code LC, LC Housing is Copper-free aluminum.)</p>	<p><i>Switches are 15A@250VAC, 5A@30vDC</i> K = Single (SPDT) KK = Dual (DPDT), 6x Dead Band Multiplier</p>	<p>N4 = Teflon Coated Polyamide with Buna O-ring M4 = 316SS with Viton O-ring (Required with 56- ranges)</p>
<i>Pressure</i>							
200 psi	400 psi	PS1264	2.5-45 INWC	0.8 INWC			
		PS1220	0.4-2 psi	0.1 psi			
		PS1250	0.75-12 psi	0.1 psi			
750 psi	1000 psi	PS0440	2-25 psi	0.3 psi			
		PS0450	3-50 psi	0.4 psi			
1500 psi	2500 psi	PS0630	12-100 psi	0.9 psi			
		PS0650	20-180 psi	1.4 psi			
		PS0530	25-240 psi	2.2 psi			
		PS0545	45-550 psi	3.9 psi			
<i>Vacuum</i>							
750 psi	1000 psi	PS5418	-30" Hg	0.5 Hg			
<i>Compound</i>							
200 psi	400 psi	PS5217	-40/0/40 INWC	1.1 INWC			
1500 psi	2500 psi	PS5626	-30 Hg/0/10 psi	1" Hg/.5 psi			
		PS5636	-30 Hg/0/80 psi	1.4" Hg/.7 psi			

TRANSMITTERS

C1

-YY

PRESSURE PORT	OPTIONS
<p>316SS C1 = 1/4" Female NPT C2 = 1/2" Female NPT</p> <p><i>Sanitary 3A Tri-Clamp, Max. 600 psi with Standard Clamp</i> C8 = 1 1/2" Tri-Clamp (Ranges 05-, 06-, 56-) C9 = 2" Tri-Clamp (Ranges 04-, 05-, 06-, 54-, 56-)</p> <p><i>Aluminum (Available on ranges beginning: 12, 04, 52, 54)</i> B1 = 1/4" Female NPT B2 = 1/2" Female NPT</p> <p><i>Cast Iron (Available on ranges beginning 06, 05, 56)</i> F1 = 1/4" Female NPT F2 = 1/2" Female NPT</p>	<p>-MM = Vacuum Protector Plate (Standard with Vacuum + Compound Range) -CG = Cemented Cover Gasket -YY = Exterior Epoxy Coating -TS = Stainless Steel Tag (1-10 Characters) -SP = Specify Set Point (Set by Factory, N/C) Example: SP 50A = 50 psi Ascending. If set point is not specified, factory will set at mid point. -C1 = 1 Point Calibration</p>
Wetted	

Tri-Clamp® is a registered trademark of Alpha Laval Inc.