

ADJUSTABLE ANGLE DIGITAL THERMOMETER/TRANSMITTER

The Reotemp Adjustable Angle Digital Thermometer/Transmitter is a durable high accuracy thermometer with digital display. It features an IP67/NEMA 4X enclosure, 5 year battery life and optional transmitter output (Note: 4-20mA models are loop powered 9-36VDC).

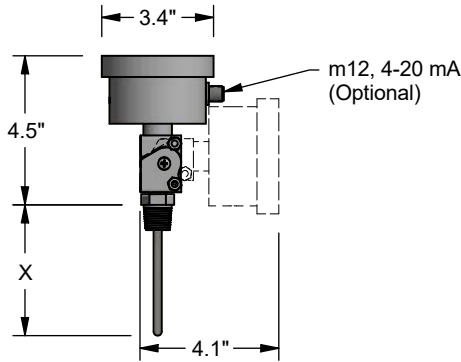


Table 1: Display Resolution

Model	Range	Decimal Point
Standard Temp, Displays Decimal	-58°F to 392°F (-50°C to 200°C)	Yes
Extended Temp, No Decimal	-328°F to 1112°F (-200°C to 600°C)	No



Accuracy



Custom Logo



Made in USA

FEATURES / BENEFITS

- High Accuracy 1,000Ω RTD (Class A)
- Water Resistant IP67/NEMA 4X
- 5 Year Battery Life (4-20mA Models are Loop Powered)
- 4-20 mA Output Available (Loop Powered 9-36VDC)
- Low or High Temperature Range Models

SPECIFICATIONS

Accuracy	$\pm (0.72 + 0.002 \times t - 32) ^\circ\text{F}$, $\pm (0.40 + 0.002 \times t) ^\circ\text{C}$, where t = temperature. Example: At 32°F accuracy is $\pm 0.72 ^\circ\text{F}$.
Sensing Element	RTD, Type Pt1000Ω, Class A
RTD Temperature Ranges	-58°F to 392°F (-50°C to 200°C) or -328°F to 1112°F (-200°C to 600°C)
Output (Optional)	4-20 mA, M12 Connector, Loop Powered 9-35 VDC
Refresh Rate	3 Seconds
Display	4-digit LCD, 1/2" Height
Display Resolution	See Table 1
RFI Effect	1% or Less Typical
Temperature Effect	<0.01% FS/°C
Ambient Temp. Range	32°F to 122°F (0°C to 50°C)
Storage Temp. Range	-4°F to 158°F (-20°C to 70°C)
Housing Material	Stainless Steel 316
Lens	Plastic Polycarbonate (Standard) or Glass
Probe Material	304 Stainless Steel
Weight	12 oz., Varies by Configuration
Environmental Protection	NEMA 4X/IP67
Power	1 x 3.6V AA Battery (M12 is loop powered 9-36 VDC.)
Battery Life	5 Years Minimum in Continuous Mode, (Note: 4-20mA Models are Loop Powered 9-36 VDC, No Battery Option)
Electronic Display Temperature Limit	If the temperature of the electronics in the display housing exceeds 122°F (50°C), permanent damage to the display will occur. A remote mount is recommended for high or low temperature applications.

ADJUSTABLE ANGLE DIGITAL THERMOMETER/TRANSMITTER

BUILD YOUR DIGITAL THERMOMETER: Choose options to build a part number. For example: **DTLN11A240A-R3**

MODEL	STYLE	4-20 mA OUTPUT LOCATION	PROCESS CONNECTION	TEMPERATURE RANGE															
DT DT = Digital Thermometer	L L = Adjustable Angle	N = None (Battery Operated) T = M12 Right Side (Loop Powered 9-36VDC) U = M12 Left Side (Loop Powered 9-36VDC) V = M12 Top Side (Loop Powered 9-36VDC)	1 = 1/2" NPT (Fits Standard Thermowell) 4 = 1/4" NPT (1/4" Diameter Stem Only) 5 = 3/4" NPT Adaptor U = 1/2" NPT Union (Fits Std. Thermowell) X = Plain Unthreaded Bushing	<table border="1"> <thead> <tr> <th>Code</th> <th>Temp. Range</th> <th>Resolution</th> </tr> </thead> <tbody> <tr> <td>1</td> <td>-58°F to 392°F</td> <td>0.1°</td> </tr> <tr> <td>2</td> <td>-50°C to 200°C</td> <td>0.1°</td> </tr> <tr> <td>3</td> <td>-328°F to 1112°F</td> <td>1°</td> </tr> <tr> <td>4</td> <td>-200°C to 600°C</td> <td>1°</td> </tr> </tbody> </table>	Code	Temp. Range	Resolution	1	-58°F to 392°F	0.1°	2	-50°C to 200°C	0.1°	3	-328°F to 1112°F	1°	4	-200°C to 600°C	1°
Code	Temp. Range	Resolution																	
1	-58°F to 392°F	0.1°																	
2	-50°C to 200°C	0.1°																	
3	-328°F to 1112°F	1°																	
4	-200°C to 600°C	1°																	

M12 Wiring Diagram for 4-20 mA Output Option

STEM DIAMETER	STEM LENGTH "X"	RTD	OPTIONS
A Straight Stems A = 1/4" Diameter (Standard) F = 3/8" Diameter Fast Response Stem (Not Intended for Use with a Thermowell) B = 3/8" Diameter Reduced to 3/16" Diameter Tip	240 025 = 2.5" 040 = 4" 060 = 6" 090 = 9" 120 = 12" 150 = 15" 180 = 18" 240 = 24" 300 = 30" 360 = 36" ??? = Custom stem length in inches. Millimeter Stem Lengths M???? = Use a code beginning in M to specify a mm stem length ex: 100mm = M0100	A = Class A RTD, 1,000Ω	-TS = Stainless Tag -R1 = One Point Calibration Certification (Reotemp Chooses Points) -R3 = Three Point Calibration Certification (Reotemp Chooses Points) -CL = Custom Logo Dial For additional options see page 147. For thermowells see pages 140-146.

RTD

Note: Thermowells should be used whenever the stem or bulb would be exposed to pressure, corrosion, velocity, abrasion or shear forces. Thermowells also make it possible to remove the thermometer without losing pressure or the contents of the process.

THERMOCOUPLE & RTD OPTIONS

		Thermocouple	RTD	Digital Thermometers	Handheld Digital
CERTIFICATION OPTIONS					
-R1	1 Point Calibration Certification, Reotemp Chooses	✓	✓	✓	✓
-R3	3 Point Calibration Certification, Reotemp Chooses	✓	✓	✓	✓
-C1	1 Point Calibration Certification, Customer Chooses	✓	✓	✓	✓
-C3	3 Point Calibration Certification, Customer Chooses	✓	✓	✓	✓
-CC	Certificate of Conformance	✓	✓	✓	✓
-CS	NIST Calibration Sticker (No Logged Points)	✓	✓	✓	✓
OTHER OPTIONS					
-VB	Hi-Vibration	N/A	✓	✓	✓
-AC	Hi-Accuracy	N/A	✓	N/A	N/A
-PS	Pointed Stem	✓	✓	✓	✓
-TF	Teflon Coating	✓	✓	✓	✓
-SS	316 SS stem	N/A	STD	✓	✓
-NL	No Logo	✓	✓	✓	✓
-HT	Heat Transfer Compound (2 oz)	✓	✓	✓	N/A
-GL	Plain Glass Lens	N/A	N/A	✓	✓
-CL	Custom Logo Dial	N/A	N/A	✓	✓
-BP	Replacement Battery Pack	N/A	N/A	✓	✓
-WD	White Dial	N/A	N/A	✓	✓
-AS	Allows to Fit 1-1/4-18 Industrial Thermowell	✓	✓	✓	N/A
TAG OPTION					
-TS	Stainless Steel Tag (1-10 Characters)			✓	
-TM	Stainless Steel Tag (11-80 Characters)			✓	
-TP	Paper Tag			✓	

✓	Indicates that the option is available with this model.
N/A	Indicates the option is not available with this model.
STD	Indicates standard options with no additional cost.