

SANITARY RTD HEAD ASSEMBLY

Reotemp's Sanitary RTD Head Assemblies are designed for direct insertion into sanitary tri-clamp systems and applications. Their 3-A approved 316 stainless steel wetted surfaces are highly polished to reduce the risk of unsanitary conditions. Reotemp sanitary RTD head assemblies are highly customizable and available configured with optional transmitters.



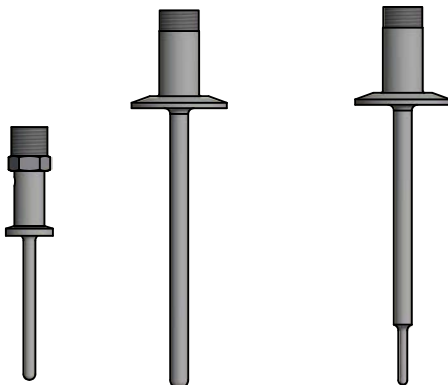
Made in USA

FEATURES / BENEFITS

- 3-A Approved 316SS Wetted Surfaces (Ra 32 Max.)
- 3-A Certificate Included
- Sanitary tri-clamp design
- Optional transmitter
- Fully Sealed for Washdown (IP67)
- Callendar-Van Dusen Coefficients Available for Optimized Sensor Accuracy (Hi-Accuracy™ Curve Plot Option)

SPECIFICATIONS

Accuracy	Class A = $\pm (0.15 + 0.002 t)^{\circ}\text{C}$ [-30/200°C] 1/10 B = $\pm (0.03 + 0.0005 t)^{\circ}\text{C}$ [0/50°C] Outside of Stated Ranges = $\pm (0.3 + 0.005 t)^{\circ}\text{C}$ [-200/200°C]
RTD	100Ω Pt., 0.00385 Ω/Ω°C, 3-wire or 4-wire
Transmitter (Optional)	4-20mA or HART
Temperature Range	-328°F/400°F
Process Connection	Tri-Clamp: 1.5", 2", 2.5", 3", 4" or 3/4"
Wetted Finish	Ra 32 Max. / Ra 20 Max.(Optional)
Stem Length	2" to 36" standard lengths; custom lengths available.
Enclosure Head	White Poly, Blue Epoxy-Coated Aluminum, 316SS, others available.
Straight Stem Diameters	1/4", 3/8", 3/16", 1/8"
Reduced Stem Diameters	3/8" reduced to 3/16" tip, 1/2" reduced to 1/4" tip



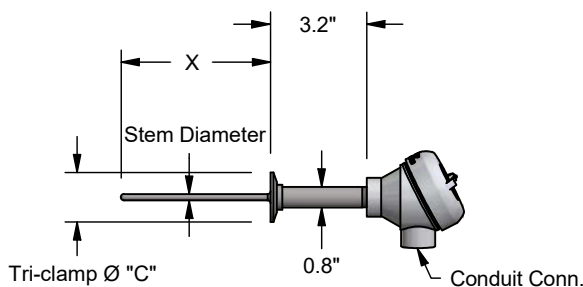
Straight Stem

Fast Response

SANITARY RTD HEAD ASSEMBLY

BUILD YOUR ASSEMBLY: Choose options to build a part number. For example: **RHS-T15A025-AS3-TS**

MODEL	CONNECTION HEAD	HEAD OPTIONS	TRANSMITTER (OPTIONAL)	PROCESS CONNECTION	STEM DIAMETER
RH	S			-T15	A
RH = Sanitary RTD Head Assembly	S = Poly White I = Blue Epoxy-Coated Aluminum G = 316SS Z = Z-Temp Explosion Proof Head with 3 Digit LED Display and 1/2" Conduit L004T = No Head, 1/2" MNPT with 4" of Teflon Leads, Stripped Additional Heads Available See Page 49.	= 3/4" NPT (Leave Blank) H = 1/2" NPT Conduit N = No Terminal Block	= None X = 4-20 mA (Standard) R = 4-20 mA HART Protocol F = 4-20 mA Foundation Fieldbus <i>Z-Temp Only Options</i> B = 4-20 mA Transmitter with Display Y = 4-20 mA HART Transmitter with Display	-T15 = 1.5" Tri-Clamp -T20 = 2" Tri-Clamp -T25 = 2.5" Tri-Clamp -T30 = 3" Tri-Clamp -T40 = 4" Tri-Clamp -T75 = 3/4" Tri-Clamp <i>See chart below to confirm Tri-Clamp dimensions.</i>	<i>Straight Stems</i> A = 1/4" Diameter F = 3/8" Diameter D = 3/16" Diameter H = 1/8" Diameter <i>Fast Response Stems</i> B = 3/8" Diameter Reduced to 3/16" Tip C = 1/2" Diameter Reduced to 1/4" Tip E = Special HTST Fast-Response 3/8" Diameter Reduced to 3/16" Tip
025	-A	S3		-TS	
STEM LENGTH "X"	RTD ACCURACY	ELEMENT		OPTIONS	
025 = 2.5" Stem 030 = 3" Stem 040 = 4" Stem 060 = 6" Stem 090 = 9" Stem ??? = Enter Custom Stem Length In Inches, Up to 72"	A = Class A, 100Ω, 385 Curve(Standard) T = 1/10 B, 100Ω, 385 Curve	<i>Single Element</i> S3 = Single 3-Wire S4 = Single 4-Wire <i>Dual Element</i> D3 = Dual 3-Wire D4 = Dual 4-Wire	-TS = Stainless Steel Tag -RA = Ra 20 Max Wetted Finish with Certificate -R3 = Calibration Certification, 3 Points (32°F, 100°F, 190°F) -R1 = Calibration Certification, 1 Point (100°F) -C3 = Calibration Certification, 3 Points (Customer Picks) -C1 = Calibration Certification, 1 Point (Customer Picks) <i>For additional options see page 147.</i>		



Tri-Clamp Size	Diameter "C"	
	in	mm
3/4"	0.984	25
*1.5"	1.984	50.4
2"	2.516	63.9
2.5"	3.047	77.4
3"	3.579	90.9
4"	4.682	118.9

*1.5" tri-clamp fits 1.5" and 1" tri-clamp fittings

HEAD STYLES

All head styles are IP65 or greater. Additional head styles available, contact customer service for more information.

Head	Code	Description	NEMA Rating	IP Rating				Display	STD Conduit	Material
	A	Cast Iron Black	4	65					3/4"	Cast Iron
	B	Cast Aluminum	4X	68					3/4"	Cast Aluminium
	E	Explosion Proof Aluminum	4X	68	✓	✓			3/4"	Cast Aluminium
	I	Blue Epoxy Aluminum	4X	68					3/4"	Cast Aluminium
	S	Polypropylene White	4	65					3/4"	Polypropylene
	W	Explosion Proof Field HART Transmitter	4X	68	✓	✓	✓	✓	1/2"	Cast Aluminium
	Z	Z-Temp™ Explosion Proof Aluminum	4X	66	✓	✓	✓	✓	1/2"	Cast Aluminium
	C	Polypropylene Black	4	65					3/4"	Polypropylene
	G	316SS	4X	65					3/4"	316SS
	H	Aluminum Flip Top	4	65					3/4"	Cast Aluminium
	J	Explosion Proof 316SS	4X	65	✓	✓			3/4"	316SS
	T	ATEX Explosion Proof Aluminum	4X	68	✓	✓	✓		1/2"	Cast Aluminium
	L	Explosion Proof Epoxy Coated Aluminium	4X	68	✓	✓			3/4"	Cast Aluminium
	D	Mini Cast Aluminum	4	65					3/4"	Cast Aluminium
	K	Polished 316SS Knurl	4X	65					1/2"	316SS
	P	DIN Black Polypropylene	4	65					3/4"	Polypropylene
	U	Hi-dome Aluminum Fliptop	4	65					3/4"	Cast Aluminium
	V	Ball-dome Aluminum Fliptop	4	65					3/4"	Cast Aluminium

THERMOCOUPLE & RTD OPTIONS

		Thermocouple	RTD	Digital Thermometers	Handheld Digital
CERTIFICATION OPTIONS					
-R1	1 Point Calibration Certification, Reotemp Chooses	✓	✓	✓	✓
-R3	3 Point Calibration Certification, Reotemp Chooses	✓	✓	✓	✓
-C1	1 Point Calibration Certification, Customer Chooses	✓	✓	✓	✓
-C3	3 Point Calibration Certification, Customer Chooses	✓	✓	✓	✓
-CC	Certificate of Conformance	✓	✓	✓	✓
-CS	NIST Calibration Sticker (No Logged Points)	✓	✓	✓	✓
OTHER OPTIONS					
-VB	Hi-Vibration	N/A	✓	✓	✓
-AC	Hi-Accuracy	N/A	✓	N/A	N/A
-PS	Pointed Stem	✓	✓	✓	✓
-TF	Teflon Coating	✓	✓	✓	✓
-SS	316 SS stem	N/A	STD	✓	✓
-NL	No Logo	✓	✓	✓	✓
-HT	Heat Transfer Compound (2 oz)	✓	✓	✓	N/A
-GL	Plain Glass Lens	N/A	N/A	✓	✓
-CL	Custom Logo Dial	N/A	N/A	✓	✓
-BP	Replacement Battery Pack	N/A	N/A	✓	✓
-WD	White Dial	N/A	N/A	✓	✓
-AS	Allows to Fit 1-1/4-18 Industrial Thermowell	✓	✓	✓	N/A
TAG OPTION					
-TS	Stainless Steel Tag (1-10 Characters)			✓	
-TM	Stainless Steel Tag (11-80 Characters)			✓	
-TP	Paper Tag			✓	

✓	Indicates that the option is available with this model.
N/A	Indicates the option is not available with this model.
STD	Indicates standard options with no additional cost.