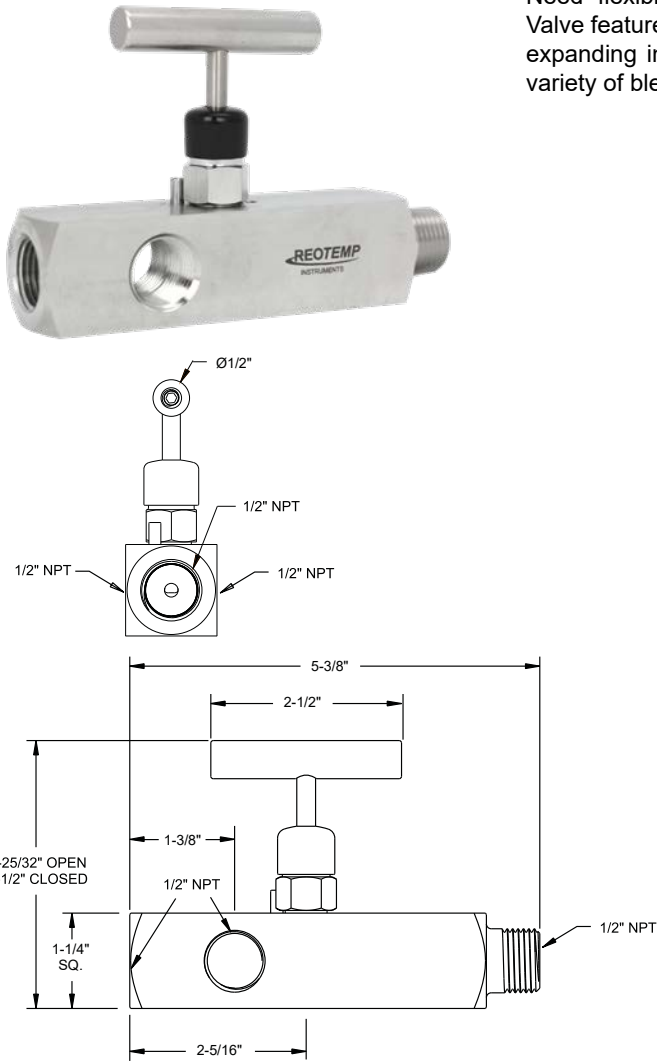


MULTIPOINT BLOCK & BLEED

Need flexibility when installing your instruments? REOTEMP's Multiport Gauge Valve features a single shutoff along with three individual 1/2" FNPT instrument ports expanding instrument installation and venting options. The user can select from a variety of bleeds, valves, and plugs to obtain their desired setup.



FEATURES / BENEFITS

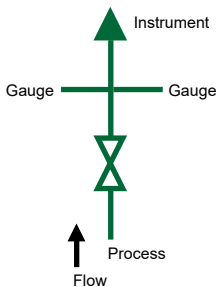
- 3 - 1/2" FNPT Instrument Ports
- FKM O-ring Seal and PTFE Back-up Ring Below the Stem Threads to Protect from Corrosion and Galling; Soft Seat Comes Standard With Delrin Seat
- PTFE or Grafoil Packing Optional
- All Stems are 316SS
- Vinyl Dust Cap for Bonnet & Stem (Non-packing)
- Rolled Threads for Strength, Durability, and Ease of Use
- All Valves are Helium Leak Tested for Optimal Performance

SPECIFICATIONS

Body Material	316 Stainless Steel, Zinc-nickel Plated Carbon Steel
Pressure Rating	Hard Seat - 10,000 psi at 200°F, Soft Seat - 6,000 psi at 200°F.
Temperature Rating	Standard up to 200°F; Available up to 1,000°F. See Pressure/Temperature Charts on Page 97 for More Detailed Information.
Orifice	0.187"
Flow	Hard Seat C _v : 0.44, Soft Seat C _v : 0.76
Connections	1/2" or 3/4"

VALVES

HOW TO ORDER: Choose options to build a part number. For example: **G40H22S-HPBP**



G40	H	22	S	-HPBP*
MODEL	SEAT TYPE	CONNECTION SIZE	MATERIAL	OPTIONS

G40 = Multiport Gauge Valve

H = Hard Seat
S = Soft Seat

22 = 1/2" M x (3)
1/2" F
23 = 3/4" M x (3)
1/2" F

C = Carbon Steel
S = Stainless Steel
H = Hastelloy C
M = Monel

Available on G40:
-HP = Hex Plug
-BP = Bleed Plug
-BV = 1/2" Bleed Valve
-P1 = PTFE Packaging

Available on G40H:
-P2 = Grafoil Packing (316SS Body Rating 1,000°F at 1,500 psi)

* See 98 for Additional Options

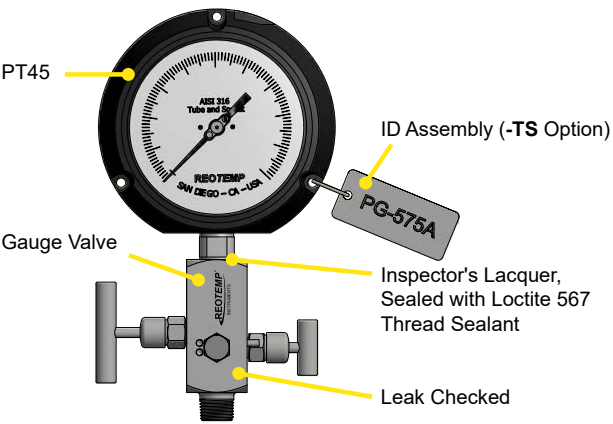
INSTRUMENT & VALVE ASSEMBLIES

REOTEMP offers in house mounting services by preinstalling pressure (or dP) instrumentation on valve assemblies prior to shipping to allow for stress free/easy installation. Select from a variety of standard designs or contact your REOTEMP customer service representative to design a custom assembly to suit your desired application.

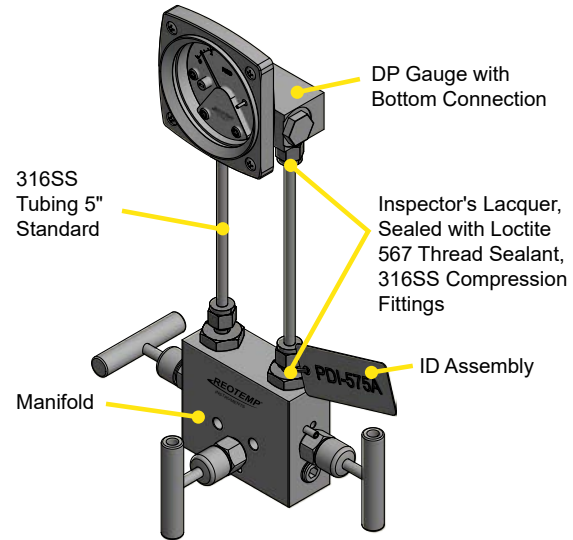
- ✓ Inspector's Lacquer & Threads Sealed with Loctite 567™
- ✓ 100% Argon Leak Checked (Maximum 1,000 psi)
- ✓ Optional ID Tag for Complete Assembly
- ✓ Packaged for Out of Box Installation
- ✓ DP Assemblies Mounted with 316SS Compression Fittings & 316 Tubing
- ✓ To Customize Your Design Contact REOTEMP Customer Service

HOW TO ORDER:
Choose options to build a part number.

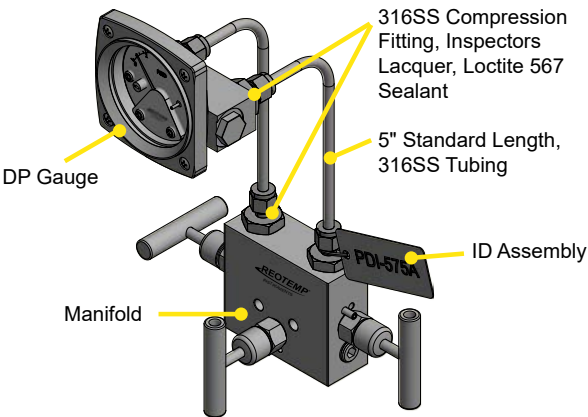
PT45P1A2P20-D-T-TS	// G20H22S	-A1
SELECT PRESSURE GAUGE	SELECT VALVE	SELECT MOUNT



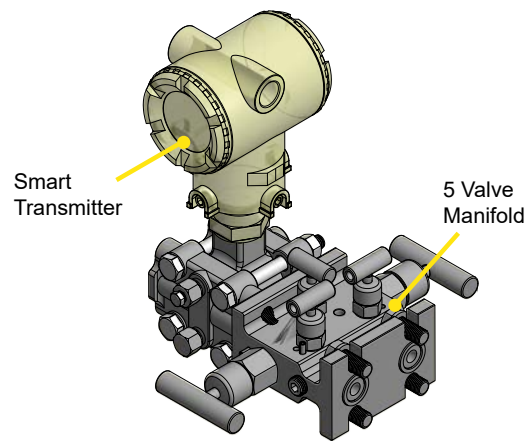
-A1 Valve mounted to pressure instrument. (Example: Gauge, Switch Direct Mount or Transmitter.)



-A4 Bottom mounted differential pressure gauge to manifold.



-A5 Back mounted threaded differential pressure gauge to manifold.



-A6 Differential transmitter to manifold.

VALVES

VALVE OPTIONS



Visit reotemp.com

- ✓ Check Stock
- ✓ Get Price
- ✓ Configure Part #
- ✓ Download PDF Data Sheets

		G10	G20	G30	G40	N10	M2PH	M2PS	M2LH	M2LS	M2M	M30H	M30S	M3M	M50H	M50S
PACKING/O-RINGS																
P1	PTFE Packing	✓	✓	✓	✓	✓	✓	✓	✓	✓	✓	✓	✓	✓	✓	✓
P2	Grafoil Packing	H	H	H	H	H	✓	N/A	✓	N/A	✓	✓	N/A	N/A	✓	N/A
P3	EPDM O-Ring	✓	N/A	N/A	N/A	N/A	N/A	N/A	N/A	N/A	✓	N/A	N/A	✓	N/A	N/A
P4	FFKM (Kalrez 3018) O-Ring	✓	N/A	N/A	N/A	N/A	N/A	N/A	N/A	N/A	✓	N/A	N/A	✓	N/A	N/A
P5	NBR O-Ring	✓	N/A	N/A	N/A	N/A	N/A	N/A	N/A	N/A	✓	N/A	N/A	✓	N/A	N/A
SOFT SEATS																
S1	PEEK	S	S	S	S	S	N/A	N/A	N/A	N/A	N/A	N/A	N/A	N/A	N/A	✓
S2	PCTFE	S	S	S	S	S	N/A	N/A	N/A	N/A	N/A	N/A	N/A	N/A	N/A	✓
STEM TIPS																
T1	Non-Rotating SS Stem Tip	✓	✓	✓	✓	✓	✓	✓	✓	✓	✓	✓	✓	✓	✓	✓
T5	Ball (440C Stainless) Stem Tip	H	H	H	H	H	✓	N/A	✓	N/A	N/A	✓	N/A	N/A	✓	N/A
T6	Ball (Carbide) Stem Tip	H	H	H	H	H	✓	N/A	✓	N/A	N/A	✓	N/A	N/A	✓	N/A
T7	Ball (Ceramic) Stem Tip	H	H	H	H	H	✓	N/A	✓	N/A	N/A	✓	N/A	N/A	✓	N/A
T8	Ball (Monel) Stem Tip	H	H	H	H	H	✓	N/A	✓	N/A	N/A	✓	N/A	N/A	✓	N/A
T9	Regulating Hard Stem Tip	H	H	H	H	H	✓	N/A	✓	N/A	N/A	✓	N/A	N/A	✓	N/A
MOUNTING OPTIONS																
M1	CS 2" Pipe Mounting Bracket	N/A	✓	✓	N/A	N/A	N/A	N/A	N/A	N/A	N/A	✓	✓	✓	✓	✓
M2	SS 2" Pipe Mounting Bracket	N/A	✓	✓	N/A	N/A	N/A	N/A	N/A	N/A	N/A	✓	✓	✓	✓	✓
M3	1 Nut	✓	N/A	N/A	✓	✓	N/A	N/A	N/A	N/A	N/A	N/A	N/A	N/A	N/A	N/A
M4	2 Nuts	✓	N/A	N/A	✓	✓	N/A	N/A	N/A	N/A	N/A	N/A	N/A	N/A	N/A	N/A
EXTRAS																
NC	NACE Compliance MR0175*	✓	✓	✓	✓	✓	✓	✓	✓	✓	✓	✓	✓	✓	✓	✓
OX	Cleaned for O2 Service	✓	✓	✓	✓	✓	✓	✓	✓	✓	✓	✓	✓	✓	✓	✓
IH	Internal Hydrostatic Test	✓	✓	✓	✓	✓	✓	✓	✓	✓	✓	✓	✓	✓	✓	✓
PM	Positive Material ID	✓	✓	✓	✓	✓	✓	✓	✓	✓	✓	✓	✓	✓	✓	✓
EX	Extended Body Design	N/A	✓	N/A	N/A	N/A	N/A	N/A	N/A	N/A	N/A	N/A	N/A	N/A	N/A	N/A
RV	Right Vent	N/A	✓	✓	N/A	N/A	N/A	N/A	N/A	N/A	N/A	N/A	N/A	N/A	N/A	N/A
HP	1/2" Hex Plug	N/A	N/A	N/A	✓	N/A	✓	N/A	N/A	N/A	N/A	N/A	N/A	N/A	N/A	N/A
BP	1/2" Bleed Plug	N/A	STD	STD	✓	N/A	✓	N/A	N/A	N/A	N/A	N/A	N/A	N/A	N/A	N/A
BV	1/2" Bleed Valve	N/A	N/A	N/A	✓	N/A	✓	N/A	N/A	N/A	N/A	N/A	N/A	N/A	N/A	N/A
FC	CS Futbol	N/A	N/A	N/A	N/A	N/A	✓	✓	✓	✓	✓	✓	✓	✓	✓	✓
FS	SS Futbol	N/A	N/A	N/A	N/A	N/A	✓	✓	✓	✓	✓	✓	✓	✓	✓	✓
DC	CS Dielectric Kit	N/A	N/A	N/A	N/A	N/A	✓	✓	✓	✓	✓	✓	✓	✓	✓	✓
DS	SS Dielectric Kit	N/A	N/A	N/A	N/A	N/A	✓	✓	✓	✓	✓	✓	✓	✓	✓	✓
AC	CS Static Adaptors	N/A	N/A	N/A	N/A	N/A	✓	✓	✓	✓	✓	✓	✓	✓	✓	✓
AS	SS Static Adaptors	N/A	N/A	N/A	N/A	N/A	✓	✓	✓	✓	✓	✓	✓	✓	✓	✓

VALVES

*Available only on SS, Monel, & Hastelloy C-276 bodies.

✓	Indicates that the option is available
N/A	Indicates the option is not available
STD	The option comes standard
H	Only available on hard seated valves
S	Only available on soft seated valves