

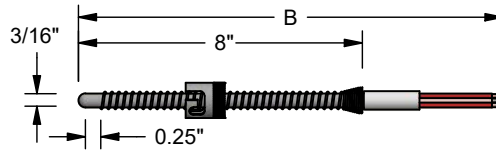
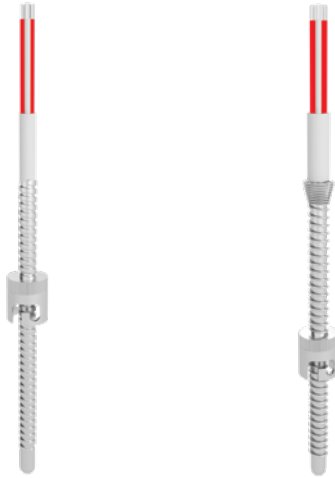
**PLASTICS MACHINERY RTD**

Reotemp Plastics Machinery RTDs are used on plastic injection and plastic extrusion machinery. Reotemp offers fixed and adjustable depth to fit multiple types of barrels, nozzles and molds.

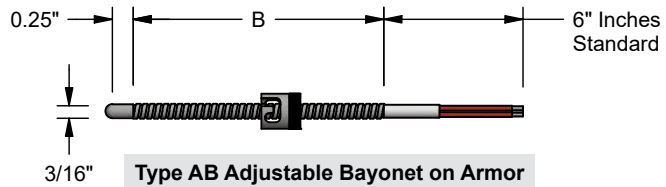


Made in USA

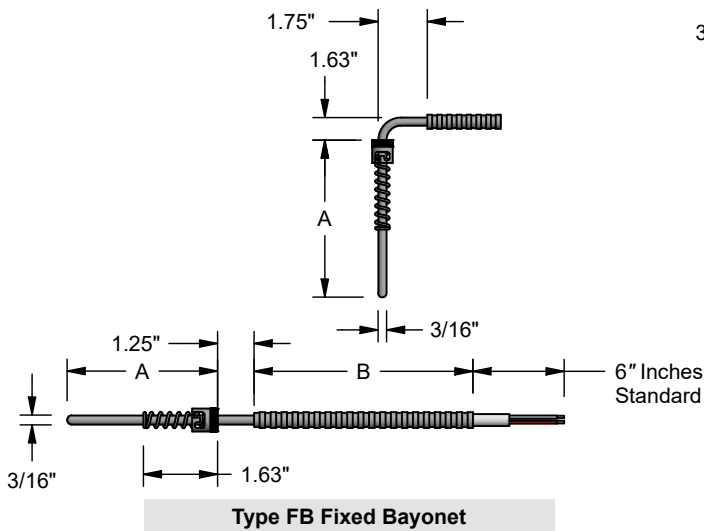
RTD



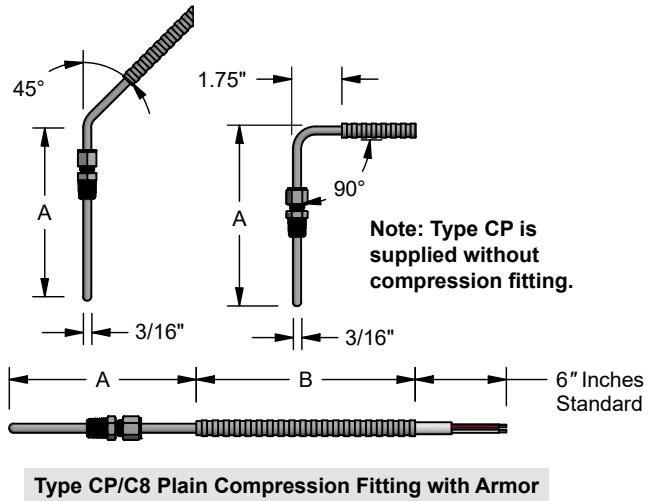
**Type SB Adjustable Bayonet on Spring**



**Type AB Adjustable Bayonet on Armor**

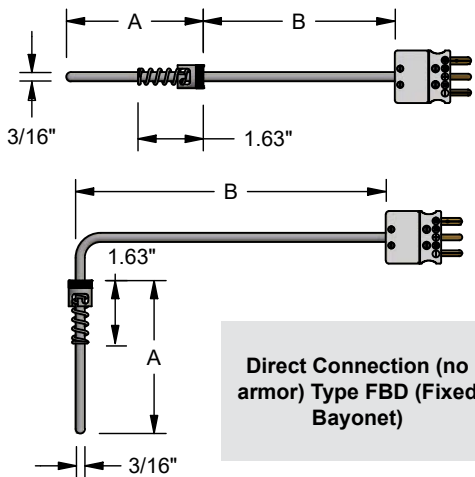


**Type FB Fixed Bayonet**

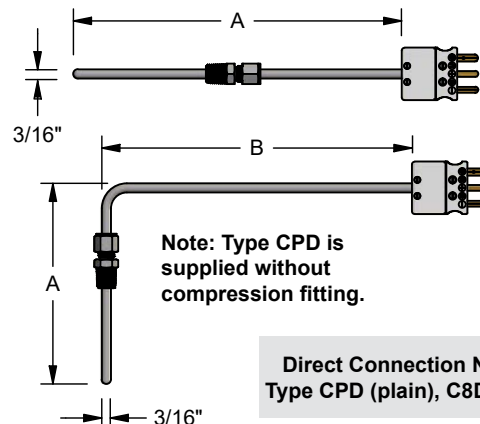


Note: Type CP is supplied without compression fitting.

**Type CP/C8 Plain Compression Fitting with Armor**



**Direct Connection (no armor) Type FBD (Fixed Bayonet)**



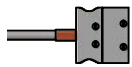
Note: Type CPD is supplied without compression fitting.

**Direct Connection No Armor Type CPD (plain), C8D (1/8 NPT)**

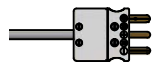
## PLASTICS MACHINERY RTD

**BUILD YOUR PLASTICS RTD:** Choose options to build a part number. For example: PFBR2.512S

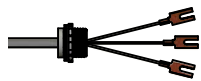
P	FB	RS	2.5	12
SERIES	STYLE	RTD	"A" STEM LENGTH (FIXED STYLE ONLY)	"B" LENGTH
<b>P</b> = Plastics Machinery RTD	<b>Adjustable Bayonet</b> <b>AB</b> = Adjustable Bayonet on Armor <b>SB</b> = Adjustable Bayonet on Spring  <b>Fixed Bayonet</b> <b>FB</b> = Fixed Bayonet  <b>Compression Fitting/Armor</b> <b>C8</b> = 1/8" Male NPT <b>CP</b> = Plain without Fitting  <b>Direct Connect/ No Armor</b> <b>FBD</b> = Fixed Bayonet without Armor <b>C8D</b> = 1/8" Male NPT <b>CPD</b> = Plain	<b>RS</b> = RTD 3-Wire Single <b>RD</b> = RTD 3-Wire Dual	<b>NA</b> = Enter NA for style AB or SB. <b>1.0</b> = 1" <b>1.2</b> = 1-1/4" <b>1.5</b> = 1-1/2" <b>1.7</b> = 1-3/4" <b>2.0</b> = 2" <b>2.5</b> = 2-1/2" <b>2.7</b> = 2-3/4"	<b>12</b> = 12" <b>24</b> = 24" ?? = Custom Length in Inches  Leave blank if none.
S	BEND ANGLE (OPTIONAL)			
WIRE TERMINATION	BEND ANGLE (OPTIONAL)			
<b>S</b> = Stripped Leads <b>L</b> = Spade Lugs <b>F</b> = Standard Male Plug <b>G</b> = Standard Female Jack <b>C</b> = Mini Male Plug <b>D</b> = Mini Female Plug <b>B</b> = BX Connector with Spade Lugs	<b>B4</b> = 45° Bend <b>B9</b> = 90° Bend			



**G**= Standard Female Jack



**F**= Standard Male Plug



**B** = BX Connector

RTD