

## SANITARY PRESSURE GAUGE

PRESSURE GAUGES

REOTEMP SG sanitary gauges are specially designed to meet the demanding safety requirements of the food, dairy, beverage, pharmaceutical, and biotech applications. REOTEMP SG gauges come standard with 3-A certification.



SG



Certified



Fillable



Custom Logo



Dials

### FEATURES / BENEFITS

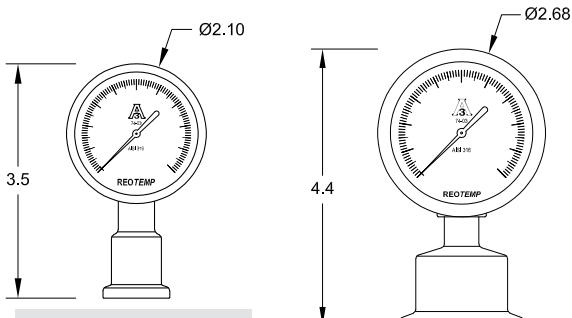
- Quick Connect Tri-Clamp® Design
- Fast Removal and Installation of Instruments, to Allow Flushing or Changing the Process Media
- Ideal for Clean-in-Place, or Equipment Washdown
- Designed to Meet 3-A Sanitary Standards
- Comes Standard with 3-A Certification
- All Welded 316SS Tube, Socket, Seal, and Diaphragm



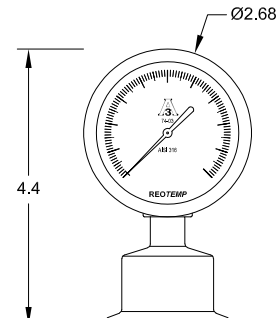
### SPECIFICATIONS

|   |  |
|---|--|
| <b>Accuracy (1" &amp; Larger Tri-Clamp)</b> | ±1.5% for 100 psi and Above<br>±2% for Vacuum, Compound and <100 psi             |
| <b>Accuracy (3/4" Tri-Clamp)</b>            | ±2.5% Upscale<br>±4% Downscale   |
| <b>Ambient Limits</b>                       | -40°F/150°F* (-40°F/250°F* with Dry Case and Polysulfone Lens with Weep Hole)    |
| <b>Process Limits</b>                       | -40°F/400°F* (-110°F/750°F* Available with Cooling Tower or Capillary)           |
| <b>Wetted Materials</b>                     | Body: 316SS<br>Internal Parts: 316SS<br>Wetted Surface Finish: 18-24 Ra          |
| <b>Lens</b>                                 | Plastic (Standard), Laminated Safety Glass, Tempered Safety Glass or Polysulfone |
| <b>Other Materials</b>                      | Case: 304SS<br>Dial: White Aluminum, Black Letters                               |
| <b>Fillable</b>                             | Yes, All Models Except SG20  |
| <b>Maximum Working Pressure</b>             | Stable = 100%<br>Momentary = 130% of scale                                       |
| <b>Environmental Protection</b>             | NEMA 4X/IP65   |

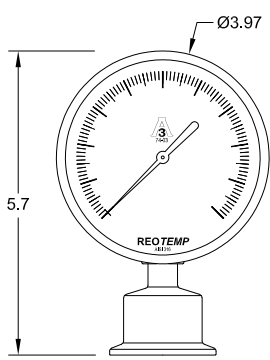
\*3/4" Tri-clamp changes both ambient and process temp limits to 20°F/150°F.



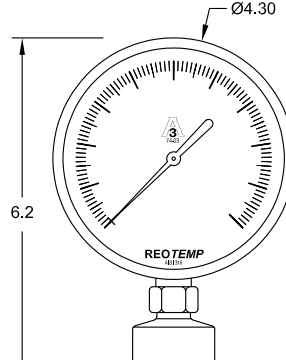
**SG20ATC75**  
2" Gauge with 3/4" Tri-Clamp



**SG25ATC15**  
2.5" Gauge with 1.5" Tri-Clamp



**SG35ATC15**  
3.5" Gauge with 1.5" Tri-Clamp



**SG40ATC15**  
4" Gauge with 1.5" Tri-Clamp

For specific assembly drawings see online configurator.

## SANITARY PRESSURE GAUGE

PRESSURE GAUGES



Visit [reotemp.com](http://reotemp.com)

- ✓ Check Stock
- ✓ Get Price
- ✓ Configure Part #
- ✓ Download PDF Data Sheets

**HOW TO ORDER:** Choose options to build a part number. For example: **SG25ATC20P18-D-P-AG-PP**

| MODEL                                | CONNECTION LOCATION  | CONNECTION TYPE                             | CLAMP SIZE   | PRESSURE RANGE                                       | CASE FILL  | LENS  | SEAL FILL FLUID  | OPTIONS  |   |
|--------------------------------------|--|---|--|--|--|---|--|--|---|
| <b>SG20</b> = 2" Dial Sanitary Gauge | <b>A</b> = Bottom Connection<br><b>C</b> = Back Connection | <b>TC</b> = Tri-Clamp<br><b>CI</b> = I-Line | <b>75</b> = 3/4"<br><b>10</b> = 1"<br><b>15</b> = 1.5" | <b>20</b> = 2"<br><b>25</b> = 2.5"<br><b>30</b> = 3" | <b>P18</b> = 0-100 psi<br><b>P20</b> = 0-200 psi<br><b>P21</b> = 0-300 psi | <b>-D</b> = Dry<br><b>-G</b> = USP Glycerin<br><b>-W</b> = Glycerin/Water (65/35)<br><b>-S</b> = Silicone | <b>-P</b> = Plastic<br><b>-S</b> = Laminated Safety Glass*<br><b>-T</b> = Tempered Safety Glass*<br><b>-F</b> = Polysulfone Lens with Weep Hole for Autoclaving, not Available with Case Fill* | See 58 for Complete Fill Guide<br><b>-AG</b> = USP Glycerin<br><b>-BN</b> = Neobee M20<br><b>-BS</b> = Food-grade Silicone | <b>-PP</b> = Pulse Plus™ (Pulsation Protection)<br><b>-EP</b> = Electropolish Diaphragm<br><b>-HC</b> = Hastelloy C-276 Wetted Parts<br><b>-TS</b> = SS Tag (1-10 Characters)<br><b>-HV</b> = Hi-Vis™ Dial<br><b>-MP</b> = Max Pointer (SG25 or SG40 Only)<br><b>-C3</b> = 3 Point Calibration Cert |

### Diaphragm Seal Suitability Guide

For applications where a diaphragm seal is required, the following diaphragm seal model types are most commonly assembled and filled to Series PR25/35 pressure gauges. This matrix identifies which diaphragm seal is appropriate based on the specified pressure range. Please reference the diaphragm seal data sheet and seal fill fluid guide for additional application considerations including max pressure, temperature limits, and material compatibility.

- Available Units:**
- psi (std)   ■ bar
  - kPa   ■ kg/cm<sup>2</sup>
  - ft H<sub>2</sub>O   ■ & more

For Additional Range Codes See Page 45

See Pages 50 & 83 for Additional Options

**Total Gauge Span\* (in psi)**

|      | Tri-Clamp  | 15 | 30 | 45 | 60 | 75 | 100 | 160 | 200 + |
|------|------------|----|----|----|----|----|-----|-----|-------|
| SG20 | 3/4"       | X  | S  | S  | T  | T  |     |     |       |
|      | 1" or 1.5" | T  |    |    |    |    |     |     |       |
|      | 2"         |    |    |    |    |    |     |     |       |
| SG25 | 3/4"       | X  | S  | S  | T  | T  | T   | T   |       |
|      | 1" or 1.5" | T  | T  |    |    |    |     |     |       |
|      | 2"         |    |    |    |    |    |     |     |       |
| SG35 | 3/4"       | X  | S  | S  | T  | T  | T   | T   |       |
|      | 1" or 1.5" | T  | T  |    |    |    |     |     |       |
|      | 2"         |    |    |    |    |    |     |     |       |
| SG40 | 3/4"       | X  | X  | X  | X  | X  | X   | X   | X     |
|      | 1" or 1.5" | X  | X  | X  | T  | T  | T   |     |       |
|      | 2"         | S  | T  | T  |    |    |     |     |       |
|      | 2.5"       | T  |    |    |    |    |     |     |       |

\*Total gauge span is additive of negative and positive pressures.  
Example: -15 - 0 - 30 psi = 45 psi span

- Assembly will function correctly with minimal accuracy degradation.
- T Assembly will function correctly given stable temperature.
- S Assembly is highly sensitive to orientation and temperature variance. REOTEMP cannot guarantee a stated accuracy.
- X Assembly will not work. The diaphragm does not displace enough fill fluid to drive the pressure gauge.

| Sanitary Flange Size | Diameter in Inches "C" |
|----------------------|------------------------|
| 3/4"                 | .98"                   |
| 1"                   | 2"                     |
| 1.5"                 | 2"                     |
| 2"                   | 2.5"                   |
| 2.5"                 | 3"                     |
| 3"                   | 3.6"                   |

Tri-Clamp® is a registered trademark of Alpha Laval Inc.

## PRESSURE GAUGE RANGES AND CODES

PRESSURE GAUGES

### VACUUM/COMPOUND RANGES

| psi       |           | Dual Scale & psi & Metric |                |                          |                               |           |                    | Single Scale-Metric |          |                    |                         |      |              |
|-----------|-----------|---------------------------|----------------|--------------------------|-------------------------------|-----------|--------------------|---------------------|----------|--------------------|-------------------------|------|--------------|
| "Hg/0/psi |           | psi & bar                 |                | psi & kg/cm <sup>2</sup> |                               | psi & kPa |                    | bar                 |          | kg/cm <sup>2</sup> |                         | kPa  |              |
| Code      | Range     | Code                      | Range          | Code                     | Range                         | Code      | Range              | Code                | Range    | Code               | Range                   | Code | Range        |
| P01       | -30"/Hg/0 | D01                       | "Hg & -1/0 bar | G01                      | "Hg & -1/0 kg/cm <sup>2</sup> | L01       | "Hg & -100/0 kPa   | B00                 | -1/0 bar | K00                | -1/0 kg/cm <sup>2</sup> | A00  | -100/0 kPa   |
| P02       | -30/0/15  | D02                       | psi & -1/0/1   | G02                      | psi & -1/0/1                  | L02       | psi & -100/0/100   | B01                 | -1/0/1   | K01                | -1/0/1                  | A01  | -100/0/100   |
| P03       | -30/0/30  | D03                       | psi & -1/0/2   | G03                      | psi & -1/0/2                  | L03       | psi & -100/0/200   | B02                 | -1/0/2   | K02                | -1/0/2                  | A02  | -100/0/200   |
| P04       | -30/0/60  | D04                       | psi & -1/0/4   | G04                      | psi & -1/0/4                  | L04       | psi & -100/0/400   | B04                 | -1/0/4   | K04                | -1/0/4                  | A04  | -100/0/400   |
| P05       | -30/0/100 | D05                       | psi & -1/0/7   | G05                      | psi & -1/0/7                  | L05       | psi & -100/0/700   | B07                 | -1/0/7   | K07                | -1/0/7                  | A07  | -100/0/700   |
| P06       | -30/0/160 | D06                       | psi & -1/0/11  | G06                      | psi & -1/0/11                 | L06       | psi & -100/0/1,100 | B011                | -1/0/11  | K011               | -1/0/11                 | A011 | -100/0/1,100 |
| P07       | -30/0/200 | D07                       | psi & -1/0/14  | G07                      | psi & -1/0/14                 | L07       | psi & -100/0/1,400 | B014                | -1/0/14  | K014               | -1/0/14                 | A014 | -100/0/1,400 |
| P08       | -30/0/300 | D08                       | psi & -1/0/20  | G08                      | psi & -1/0/20                 | L08       | psi & -100/0/2,000 | B020                | -1/0/20  | K020               | -1/0/20                 | A020 | -100/0/2,000 |

### PRESSURE RANGES

| psi  |          | Dual Scale & psi & Metric |               |                          |                             |           |                 | Single Scale-Metric |         |                    |                        |      |           |
|------|----------|---------------------------|---------------|--------------------------|-----------------------------|-----------|-----------------|---------------------|---------|--------------------|------------------------|------|-----------|
| psi  |          | psi & bar                 |               | psi & kg/cm <sup>2</sup> |                             | psi & kPa |                 | bar                 |         | kg/cm <sup>2</sup> |                        | kPa  |           |
| Code | Range    | Code                      | Range         | Code                     | Range                       | Code      | Range           | Code                | Range   | Code               | Range                  | Code | Range     |
| P14  | 0-10 psi | D14                       | psi & .7 bar  | G14                      | psi & .7 kg/cm <sup>2</sup> | L14       | psi & 70 kPa    |                     |         |                    |                        |      |           |
| P15  | 0-15     | D15                       | psi & 0-1     | G15                      | psi & 0-1                   | L15       | psi & 0-100     | B1                  | 0-1 bar | K1                 | 0-1 kg/cm <sup>2</sup> | A1   | 0-100 kPa |
| P16  | 0-30     | D16                       | psi & 0-2     | G16                      | psi & 0-2                   | L16       | psi & 0-200     | B2                  | 0-2     | K2                 | 0-2                    | A2   | 0-200     |
| P17  | 0-60     | D17                       | psi & 0-4     | G17                      | psi & 0-4                   | L17       | psi & 0-400     | B4                  | 0-4     | K4                 | 0-4                    | A4   | 0-400     |
| P18  | 0-100    | D18                       | psi & 0-7     | G18                      | psi & 0-7                   | L18       | psi & 0-700     | B7                  | 0-7     | K7                 | 0-7                    | A7   | 0-700     |
| P19  | 0-160    | D19                       | psi & 0-11    | G19                      | psi & 0-11                  | L19       | psi & 0-1,100   | B11                 | 0-11    | K11                | 0-11                   | A11  | 0-1,100   |
| P20  | 0-200    | D20                       | psi & 0-14    | G20                      | psi & 0-14                  | L20       | psi & 0-1,400   | B14                 | 0-14    | K14                | 0-14                   | A14  | 0-1,400   |
| P21  | 0-300    | D21                       | psi & 0-20    | G21                      | psi & 0-20                  | L21       | psi & 0-2,000   | B20                 | 0-20    | K20                | 0-20                   | A20  | 0-2,000   |
| P22  | 0-400    | D22                       | psi & 0-28    | G22                      | psi & 0-28                  | L22       | psi & 0-2,800   | B28                 | 0-28    | K28                | 0-28                   | A28  | 0-2,800   |
| P23  | 0-600    | D23                       | psi & 0-40    | G23                      | psi & 0-40                  | L23       | psi & 0-4,000   | B40                 | 0-40    | K40                | 0-40                   | A40  | 0-4,000   |
| P24  | 0-800    | D24                       | psi & 0-55    | G24                      | psi & 0-55                  | L24       | psi & 0-5,500   | B55                 | 0-55    | K55                | 0-55                   | A55  | 0-5,500   |
| P25  | 0-1,000  | D25                       | psi & 0-70    | G25                      | psi & 0-70                  | L25       | psi & 0-7,000   | B70                 | 0-70    | K70                | 0-70                   | A70  | 0-7,000   |
| P30  | 0-1,500  | D30                       | psi & 0-100   | G30                      | psi & 0-100                 | L30       | psi & 0-10,000  | B100                | 0-100   | K100               | 0-100                  | A100 | 0-10,000  |
| P31  | 0-2,000  | D31                       | psi & 0-140   | G31                      | psi & 0-140                 | L31       | psi & 0-14,000  | B140                | 0-140   | K140               | 0-140                  | A140 | 0-14,000  |
| P32  | 0-3,000  | D32                       | psi & 0-200   | G32                      | psi & 0-200                 | L32       | psi & 0-20,000  | B200                | 0-200   | K200               | 0-200                  | A200 | 0-20,000  |
| P33  | 0-4,000  | D33                       | psi & 0-280   | G33                      | psi & 0-280                 | L33       | psi & 0-28,000  | B280                | 0-280   | K280               | 0-280                  | A280 | 0-28,000  |
| P34  | 0-5,000  | D34                       | psi & 0-350   | G34                      | psi & 0-350                 | L34       | psi & 0-35,000  | B350                | 0-350   | K350               | 0-350                  | A350 | 0-35,000  |
| P35  | 0-6,000  | D35                       | psi & 0-400   | G35                      | psi & 0-400                 | L35       | psi & 0-40,000  | B400                | 0-400   | K400               | 0-400                  | A400 | 0-40,000  |
| P36  | 0-8,000  | D36                       | psi & 0-550   | G36                      | psi & 0-550                 | L36       | psi & 0-55,000  | B550                | 0-550   | K550               | 0-550                  | A550 | 0-55,000  |
| P37  | 0-10,000 | D37                       | psi & 0-700   | G37                      | psi & 0-700                 | L37       | psi & 0-70,000  | B700                | 0-700   | K700               | 0-700                  | A700 | 0-70,000  |
| P38  | 0-15,000 | D38                       | psi & 0-1,000 | G38                      | psi & 0-1,000               | L38       | psi & 0-100,000 | B1K                 | 0-1,000 | K1K                | 0-1,000                | A1K  | 0-100,000 |
| P39  | 0-20,000 | D39                       | psi & 0-1,400 | G39                      | psi & 0-1,400               | L39       | psi & 0-140,000 |                     |         |                    |                        |      |           |
| P40  | 0-30,000 | D40                       | psi & 0-2,000 | G40                      | psi & 0-2,000               | L40       | psi & 0-200,000 |                     |         |                    |                        |      |           |
| P41  | 0-40,000 | D41                       | psi & 0-2,800 | G41                      | psi & 0-2,800               | L41       | psi & 0-280,000 |                     |         |                    |                        |      |           |
| P42  | 0-50,000 | D42                       | psi & 0-3,500 | G42                      | psi & 0-3,500               | L42       | psi & 0-350,000 |                     |         |                    |                        |      |           |



**Don't See The Range You Need?** REOTEMP has thousands of specialty dial ranges available and will work with you to create a custom range, just contact REOTEMP customer service.

## PRESSURE GAUGE OPTIONS

PRESSURE GAUGES

| Part #                       | Description  | Heavy-Duty Industrial Gauges |      |      |      | Process Gauges |       |      | Stainless Steel Case Industrial Gauges |       |       | Commercial Gauges |         | Low Pressure Capsule Gauges |       |            | Test Gauges |
|------------------------------|--|------------------------------|------|------|------|----------------|-------|------|--|-------|-------|-------------------|---------|-----------------------------|-------|------------|-------------|
|                              |  | PR25                         | PR35 | PR40 | PR60 | PT45P          | PT45T | PI45 | PM                                     | PG**C | PG**S | PD15/20/25        | PD35/40 | PC25N                       | PC25S | PC40/45/60 | PL60/45     |
| <b>CASE FILL OPTIONS</b>     |  |                              |      |      |      |                |       |      |  |       |       |                   |         |                             |       |            |             |
| -G                           | Glycerin Filled Case                                   | ✓                            | ✓    | ✓    | ✓    | ✓              | ✓     | N/A  | ✓                                      | ✓     | ✓     | N/A               | N/A     | N/A                         | N/A   | N/A        | N/A         |
| -W                           | Glycerin Water Filled Case (65/35)                     | ✓                            | ✓    | ✓    | ✓    | ✓              | ✓     | N/A  | ✓                                      | ✓     | ✓     | N/A               | N/A     | N/A                         | N/A   | N/A        | N/A         |
| -S                           | Silicone Filled Case                                   | ✓                            | ✓    | ✓    | ✓    | ✓              | ✓     | N/A  | ✓                                      | N/A   | ✓     | N/A               | N/A     | N/A                         | N/A   | N/A        | N/A         |
| -T                           | Teflon-coated Movement (No case fill)                  | ✓                            | ✓    | ✓    | ✓    | ✓              | ✓     | ✓    | N/A                                    | N/A   | N/A   | N/A               | N/A     | N/A                         | ✓     | ✓          | ✓           |
| -I                           | Inert Case Fill  | ✓                            | ✓    | ✓    | ✓    | ✓              | ✓     | N/A  | N/A                                    | N/A   | N/A   | N/A               | N/A     | N/A                         | N/A   | N/A        | N/A         |
| <b>LENS OPTIONS</b>          |  |                              |      |      |      |                |       |      |  |       |       |                   |         |                             |       |            |             |
| -P                           | Plastic Lens   | STD                          | ✓    | ✓    | ✓    | ✓              | ✓     | STD  | STD                                    | STD   | ✓     | ✓                 | MQ      | ✓                           | ✓     | ✓          | ✓           |
| -T                           | Tempered Safety Glass Lens                             | ✓                            | STD  | STD  | STD  | STD            | STD   | N/A  | N/A                                    | N/A   | STD   | N/A               | N/A     | N/A                         | STD   | STD        | STD         |
| -S                           | Laminated Safety Glass Lens                            | ✓                            | ✓    | ✓    | ✓    | ✓              | ✓     | N/A  | N/A                                    | N/A   | ✓     | N/A               | N/A     | N/A                         | ✓     | ✓          | ✓           |
| -G                           | Plain Glass  | N/A                          | N/A  | N/A  | N/A  | N/A            | N/A   | N/A  | MQ                                     | MQ    | N/A   | MQ                | STD     | N/A                         | N/A   | N/A        | N/A         |
| <b>POINTER OPTIONS</b>       |  |                              |      |      |      |                |       |      |  |       |       |                   |         |                             |       |            |             |
| -RP                          | Red Pointer  | ✓                            | ✓    | ✓    | ✓    | ✓              | ✓     | N/A  | N/A                                    | ✓     | N/A   | N/A               | N/A     | ✓                           | ✓     | ✓          | ✓           |
| -MP                          | Min/Max Pointer (Drag Hand)†                           | ✓                            | N/A  | ✓    | ✓    | ✓              | N/A   | N/A  | N/A                                    | N/A   | ✓     | N/A               | N/A     | N/A                         | N/A   | N/A        | N/A         |
| -MQ                          | Min/Max Pointer (Tamper-proof)†                        | ✓                            | N/A  | ✓    | ✓    | ✓              | N/A   | N/A  | N/A                                    | N/A   | ✓     | N/A               | N/A     | N/A                         | N/A   | N/A        | N/A         |
| -RH                          | Red Set Hand (Manual Adjustment)                       | N/A                          | N/A  | N/A  | N/A  | ✓              | N/A   | N/A  | N/A                                    | N/A   | N/A   | N/A               | N/A     | N/A                         | N/A   | N/A        | N/A         |
| -EC                          | Electrical Contacts                                    | N/A                          | N/A  | ✓    | N/A  | ✓              | N/A   | N/A  | N/A                                    | N/A   | N/A   | N/A               | N/A     | N/A                         | N/A   | N/A        | N/A         |
| <b>DIAL OPTIONS</b>          |  |                              |      |      |      |                |       |      |  |       |       |                   |         |                             |       |            |             |
| -CL                          | Custom Logo Dial                                       | ✓                            | ✓    | ✓    | ✓    | ✓              | ✓     | MQ   | MQ                                     | ✓     | MQ    | MQ                | MQ      | ✓                           | ✓     | ✓          | ✓           |
| -HV                          | Hi-Vis Dial  | ✓                            | ✓    | ✓    | ✓    | ✓              | ✓     | N/A  | N/A                                    | ✓     | N/A   | N/A               | N/A     | ✓                           | ✓     | ✓          | N/A         |
| -CB                          | Color Band   | ✓                            | ✓    | ✓    | ✓    | ✓              | ✓     | MQ   | MQ                                     | ✓     | MQ    | MQ                | MQ      | ✓                           | ✓     | ✓          | N/A         |
| -CP                          | Color Pie  | ✓                            | ✓    | ✓    | ✓    | ✓              | ✓     | MQ   | MQ                                     | ✓     | MQ    | MQ                | MQ      | ✓                           | ✓     | ✓          | N/A         |
| -DM                          | Dial Marking   | ✓                            | ✓    | ✓    | ✓    | ✓              | ✓     | MQ   | MQ                                     | ✓     | MQ    | MQ                | ✓       | ✓                           | ✓     | ✓          | ✓           |
| -LP                          | Removable Lens Protector                               | N/A                          | N/A  | N/A  | N/A  | ✓              | ✓     | ✓    | N/A                                    | N/A   | N/A   | N/A               | N/A     | N/A                         | N/A   | N/A        | N/A         |
| <b>CALIBRATION OPTIONS</b>   |  |                              |      |      |      |                |       |      |  |       |       |                   |         |                             |       |            |             |
| -R1                          | Upgrade to 1% FS Accuracy                              | ✓                            | ✓    | STD  | STD  | N/A            | N/A   | N/A  | N/A                                    | N/A   | ✓     | N/A               | N/A     | N/A                         | N/A   | N/A        | N/A         |
| -R2                          | Upgrade to 0.5% FS Accuracy                            | N/A                          | N/A  | ✓    | ✓    | STD            | STD   | STD  | N/A                                    | N/A   | N/A   | N/A               | N/A     | N/A                         | N/A   | N/A        | N/A         |
| -R5                          | Upgrade to 1.5% FS Accuracy                            | ✓                            | ✓    | N/A  | N/A  | N/A            | N/A   | N/A  | N/A                                    | N/A   | N/A   | N/A               | N/A     | ✓                           | ✓     | ✓          | N/A         |
| -C1                          | 1pt. NIST Calibration Cert                             | ✓                            | ✓    | ✓    | ✓    | ✓              | ✓     | ✓    | ✓                                      | ✓     | ✓     | ✓                 | ✓       | ✓                           | ✓     | ✓          | N/A         |
| -C3                          | 3pt. NIST Calibration Cert                             | ✓                            | ✓    | ✓    | ✓    | ✓              | ✓     | ✓    | ✓                                      | ✓     | ✓     | ✓                 | ✓       | ✓                           | ✓     | ✓          | N/A         |
| -C5                          | 5pt. NIST Calibration Cert                             | ✓                            | ✓    | ✓    | ✓    | ✓              | ✓     | ✓    | ✓                                      | ✓     | ✓     | ✓                 | ✓       | ✓                           | ✓     | ✓          | N/A         |
| -CX                          | 10pt. NIST Calibration Cert                            | ✓                            | ✓    | ✓    | ✓    | ✓              | ✓     | ✓    | ✓                                      | ✓     | ✓     | ✓                 | ✓       | ✓                           | ✓     | ✓          | STD         |
| -CS                          | Calibration Sticker (No logged pts.)                   | ✓                            | ✓    | ✓    | ✓    | ✓              | ✓     | ✓    | ✓                                      | ✓     | ✓     | ✓                 | ✓       | ✓                           | ✓     | ✓          | N/A         |
| <b>TAG OPTION</b>            |  |                              |      |      |      |                |       |      |  |       |       |                   |         |                             |       |            |             |
| -TS                          | Stainless Steel Tag (1-10 Characters)                  | ✓                            | ✓    | ✓    | ✓    | ✓              | ✓     | ✓    | ✓                                      | ✓     | ✓     | ✓                 | ✓       | ✓                           | ✓     | ✓          | ✓           |
| -TM                          | Stainless Steel Tag (11-80 characters)                 | ✓                            | ✓    | ✓    | ✓    | ✓              | ✓     | ✓    | ✓                                      | ✓     | ✓     | ✓                 | ✓       | ✓                           | ✓     | ✓          | ✓           |
| -TP                          | Paper Tag  | ✓                            | ✓    | ✓    | ✓    | ✓              | ✓     | ✓    | ✓                                      | ✓     | ✓     | ✓                 | ✓       | ✓                           | ✓     | ✓          | ✓           |
| <b>CERTIFICATION OPTIONS</b> |  |                              |      |      |      |                |       |      |  |       |       |                   |         |                             |       |            |             |
| -CM                          | General Material Conformance                           | ✓                            | ✓    | ✓    | ✓    | ✓              | ✓     | ✓    | ✓                                      | ✓     | ✓     | ✓                 | ✓       | ✓                           | ✓     | ✓          | ✓           |
| -NC                          | Certificate of NACE Compliance                         | ✓                            | ✓    | ✓    | ✓    | ✓              | ✓     | N/A  | N/A                                    | N/A   | N/A   | N/A               | N/A     | ✓                           | ✓     | ✓          | ✓           |
| -PM                          | Positive Material Identification Certificate (PMI)     | ✓                            | ✓    | ✓    | ✓    | ✓              | ✓     | ✓    | ✓                                      | ✓     | ✓     | ✓                 | ✓       | ✓                           | ✓     | ✓          | ✓           |
| -HT                          | Hydrostatic Test per ASME B31.3 (5 min)                | ✓                            | ✓    | ✓    | ✓    | ✓              | ✓     | ✓    | ✓                                      | ✓     | ✓     | ✓                 | ✓       | ✓                           | ✓     | ✓          | ✓           |
| -LC                          | Argon Leak Check Certificate                           | ✓                            | ✓    | ✓    | ✓    | ✓              | ✓     | ✓    | ✓                                      | ✓     | ✓     | ✓                 | ✓       | ✓                           | ✓     | ✓          | ✓           |
| <b>CLEANING OPTIONS</b>      |  |                              |      |      |      |                |       |      |  |       |       |                   |         |                             |       |            |             |
| -DG                          | Degreased - Wiped Clean of Oils, Shipped in Sealed Bag | ✓                            | ✓    | ✓    | ✓    | ✓              | ✓     | N/A  | N/A                                    | ✓     | N/A   | N/A               | ✓       | ✓                           | ✓     | ✓          | ✓           |
| -OX                          | Cleaned for Oxygen Service per ASME B40.1              | ✓                            | ✓    | ✓    | ✓    | ✓              | ✓     | MQ   | MQ                                     | ✓     | MQ    | MQ                | ✓       | ✓                           | ✓     | ✓          | ✓           |
| -OY                          | Cleaned for Oxygen Service per MIL-STD-1330D           | ✓                            | ✓    | ✓    | ✓    | ✓              | ✓     | N/A  | N/A                                    | ✓     | N/A   | N/A               | ✓       | ✓                           | ✓     | ✓          | ✓           |
| <b>OTHER OPTIONS</b>         |  |                              |      |      |      |                |       |      |  |       |       |                   |         |                             |       |            |             |
| -NR                          | No Restrictor Screw                                    | ✓                            | ✓    | ✓    | ✓    | ✓              | ✓     | N/A  | N/A                                    | N/A   | N/A   | N/A               | N/A     | N/A                         | N/A   | ✓          | N/A         |
| -FI                          | Dry Gauge Shipped with Fill Plug Installed             | N/A                          | N/A  | N/A  | N/A  | ✓              | N/A   | N/A  | N/A                                    | N/A   | N/A   | N/A               | N/A     | N/A                         | N/A   | N/A        | N/A         |

✓ Indicates that the option is available with the model.     
 N/A Indicates the option is not available with this model.

STD Indicates standard options with no additional cost.     
 MQ Minimum order quantity applies.

†This option is only available with a plastic lens.

## DIAPHRAGM SEAL OPTIONS



Visit [reotemp.com](http://reotemp.com)

- ✓ Check Stock
- ✓ Get Price
- ✓ Configure Part #
- ✓ Download PDF Data Sheets

DIAPHRAGM SEALS

|  |  | MS4<br>MS6<br>MS8 | W5<br>W6<br>W7 | T5<br>T6<br>V5 | W9FF<br>W9FR | W9XT | W9FP | DSTC75 | DSTC15<br>AND<br>LARGER | DSTF05 | DSTF75<br>AND<br>LARGER | OR  | DXFR |
|--|--|-------------------|----------------|----------------|--------------|------|------|--------|-------------------------|--------|-------------------------|-----|------|
| <b>PULSATION PROTECTION (ONLY AVAILABLE WITH REOTEMP PRESSURE GAUGE MOUNTED TO SEAL)</b> |  |                   |                |                |              |      |      |        |                         |        |                         |     |      |
| -PP  | Pulse Plus™  | ✓                 | ✓              | ✓              | ✓            | ✓    | N/A  | N/A    | ✓                       | N/A    | ✓                       | ✓   | N/A  |
| <b>DIAPHRAGM COATING</b>   |  |                   |                |                |              |      |      |        |                         |        |                         |     |      |
| -AU  | Gold Plated Diaphragm                              | N/A               | ✓              | N/A            | ✓            | ✓    | ✓    | ✓      | ✓                       | ✓      | ✓                       | N/A | N/A  |
| -TC  | Teflon Coated Diaphragm PTFE                       | N/A               | ✓              | N/A            | ✓            | ✓    | ✓    | N/A    | ✓                       | N/A    | ✓                       | N/A | N/A  |
| -EP  | Electropolished Diaphragm                          | N/A               | N/A            | N/A            | N/A          | N/A  | N/A  | ✓      | ✓                       | ✓      | ✓                       | N/A | N/A  |
| <b>FILL</b>  |  |                   |                |                |              |      |      |        |                         |        |                         |     |      |
| -FW  | Fill Port Welded Closed                            | STD <sup>1</sup>  | ✓              | ✓              | ✓            | ✓    | ✓    | ✓      | ✓                       | ✓      | ✓                       | N/A | N/A  |
| -VF  | Fill for Vacuum Service                            | N/A               | ✓              | N/A            | ✓            | ✓    | ✓    | N/A    | ✓                       | N/A    | ✓                       | N/A | N/A  |
| <b>CLEANING AND FINISH</b>   |  |                   |                |                |              |      |      |        |                         |        |                         |     |      |
| -DG  | Degreased, Shipped in Sealed Bag                   | ✓                 | ✓              | ✓              | ✓            | ✓    | ✓    | ✓      | ✓                       | ✓      | ✓                       | N/A | ✓    |
| -OX  | Cleaned for Oxygen Service per ASME B40.1          | ✓                 | ✓              | N/A            | ✓            | ✓    | ✓    | ✓      | ✓                       | ✓      | ✓                       | N/A | ✓    |
| -OY  | Cleaned for Oxygen Service per MIL-STD-1330D       | ✓                 | ✓              | N/A            | ✓            | ✓    | ✓    | ✓      | ✓                       | ✓      | ✓                       | N/A | ✓    |
| <b>PLUG FOR FLUSH PORT</b>   |  |                   |                |                |              |      |      |        |                         |        |                         |     |      |
| -GS  | 1/4" SS Plug Installed                             | STD               | STD            | STD            | N/A          | N/A  | N/A  | N/A    | N/A                     | N/A    | N/A                     | N/A | ✓    |
| -JS  | 1/2" SS Plug Installed                             | N/A               | STD            | STD            | N/A          | N/A  | N/A  | N/A    | N/A                     | N/A    | N/A                     | N/A | ✓    |
| -GH  | 1/4" Hast C Plug Installed                         | ✓                 | ✓              | ✓              | N/A          | N/A  | N/A  | N/A    | N/A                     | N/A    | N/A                     | N/A | ✓    |
| -JH  | 1/2" Hast C Plug Installed                         | N/A               | ✓              | ✓              | N/A          | N/A  | N/A  | N/A    | N/A                     | N/A    | N/A                     | N/A | ✓    |
| -GM  | 1/4" Monel Plug Installed                          | N/A               | ✓              | ✓              | N/A          | N/A  | N/A  | N/A    | N/A                     | N/A    | N/A                     | N/A | ✓    |
| -JM  | 1/2" Monel Plug Installed                          | N/A               | ✓              | ✓              | N/A          | N/A  | N/A  | N/A    | N/A                     | N/A    | N/A                     | N/A | ✓    |
| <b>TAG OPTION</b>  |  |                   |                |                |              |      |      |        |                         |        |                         |     |      |
| -TS  | Stainless Steel Tag (1-10 Characters)              |                   |                |                |              |      |      |        | ✓                       |        |                         |     |      |
| -TM  | Stainless Steel Tag (11-80 Characters)             |                   |                |                |              |      |      |        | ✓                       |        |                         |     |      |
| -TP  | Paper Tag  |                   |                |                |              |      |      |        | ✓                       |        |                         |     |      |
| <b>CERTIFICATION OPTIONS</b>   |  |                   |                |                |              |      |      |        |                         |        |                         |     |      |
| -NC  | Certificate of NACE Compliance                     | ✓                 | ✓              | N/A            | ✓            | ✓    | ✓    | N/A    | N/A                     | ✓      | ✓                       | N/A | ✓    |
| -CM  | General Material Conformance                       | ✓                 | ✓              | ✓              | ✓            | ✓    | ✓    | ✓      | ✓                       | ✓      | ✓                       | ✓   | ✓    |
| -MR  | MTR - Mill Test Report Certificate                 | ✓                 | ✓              | ✓              | ✓            | ✓    | ✓    | ✓      | ✓                       | ✓      | ✓                       | N/A | ✓    |
| -PM  | PMI - Positive Material Identification Certificate | ✓                 | ✓              | ✓              | ✓            | ✓    | ✓    | ✓      | ✓                       | ✓      | ✓                       | N/A | ✓    |
| -HT  | Hydrostatic Test per ASME B31.3                    | ✓                 | ✓              | ✓              | ✓            | ✓    | ✓    | ✓      | ✓                       | ✓      | ✓                       | N/A | N/A  |
| -HL  | Helium Leak Test Certificate                       | ✓                 | ✓              | N/A            | ✓            | ✓    | ✓    | ✓      | ✓                       | ✓      | ✓                       | N/A | N/A  |

✓ Indicates that the option is available  
 N/A Indicates the option is not available

<sup>1</sup> Standard on MS8, available on MS4 & MS6.