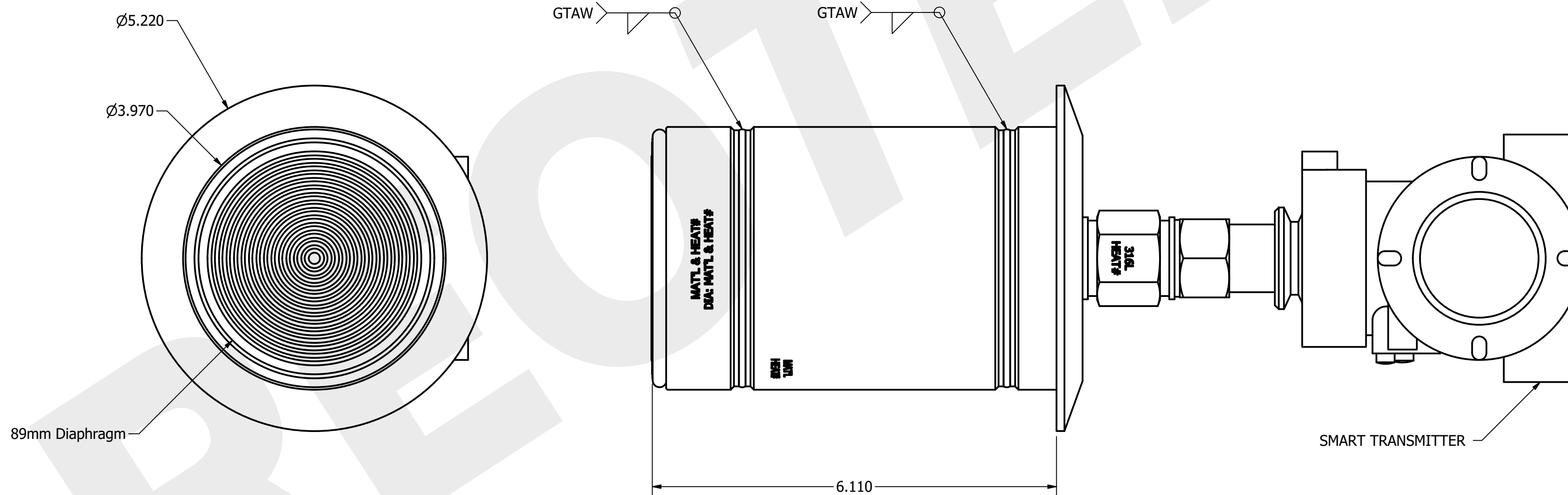
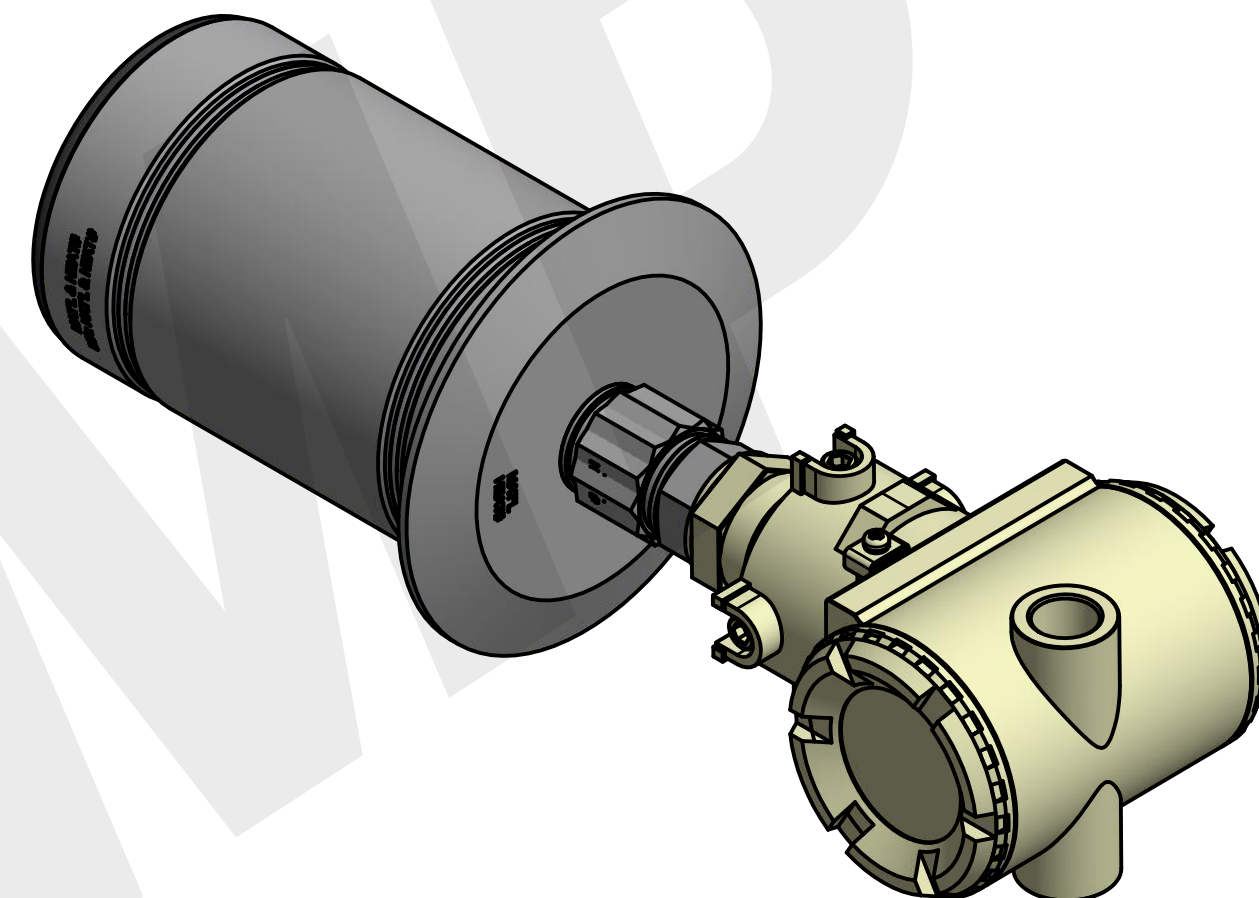


THIS DRAWING AND SPECIFICATIONS ARE THE PROPERTY OF REOTEMP INSTRUMENT CORP., AND ARE ISSUED IN STRICT CONFIDENCE AND SHALL NOT BE REPRODUCED, COPIED OR USED AS THE BASIS FOR MANUFACTURE OR SALE OF ITEMS DEPICTED HEREIN WITHOUT WRITTEN PERMISSION FROM REOTEMP INSTRUMENT CORP.

NOTES (UNLESS OTHERWISE SPECIFIED)

- 1) DIMENSIONS ARE IN INCHES
- 2) MATERIAL: HASTELLOY C-276 DIAPHRAGM & PUCK, 316L BODY
- 3) MOUNTS WITH CLAMP, REOTEMP PART#: DSTP-CLAMP-SS
- 4) EPDM O-RING (-345) - Durometer 70A
- 5) SUPPORTED BY DWG# 30202
- 6) PRODUCTS TO BE BUILT PER REOTEMP CATALOG SPECIFICATION, UNLESS OTHERWISE SPECIFIED.

REVISIONS			
REV	DESCRIPTION	DATE	APPROVED
X1	INITIAL RELEASE	6/28/18	MN
X2	ADDED TRANSMITTER	6/29/18	JA
X3	ADDED TAG #s	8/15/18	RY



PART NAME SANITARY TANK SPUD DIAPHRAGM SEAL - 6IN - HC-276 - MOUNTED TO SMART TRANSMITTER			
UNLESS OTHERWISE SPECIFIED DIMENSIONS ARE IN INCHES TOLERANCES ARE:		Reotemp Instrument Corporation 10656 Roselle Street San Diego, CA 92121 USA Phone: (858) 784-0710 Fax: (858) 784-0720	
FRACTIONS DECIMALS ANGLES ±1/32 .X ± .03 ±1° .XX ±.01 .XXX ±.005		DATE 6/28/18 DRAWN BY MNeill APPROVED BO	
PART NO 40HW6X-DWD	SIZE C	CAGE CODE 24793	DWG NO 20368
FIRST USED ON	SCALE: NTS	FILE NAME:	REV X3 SHEET 1 OF 1