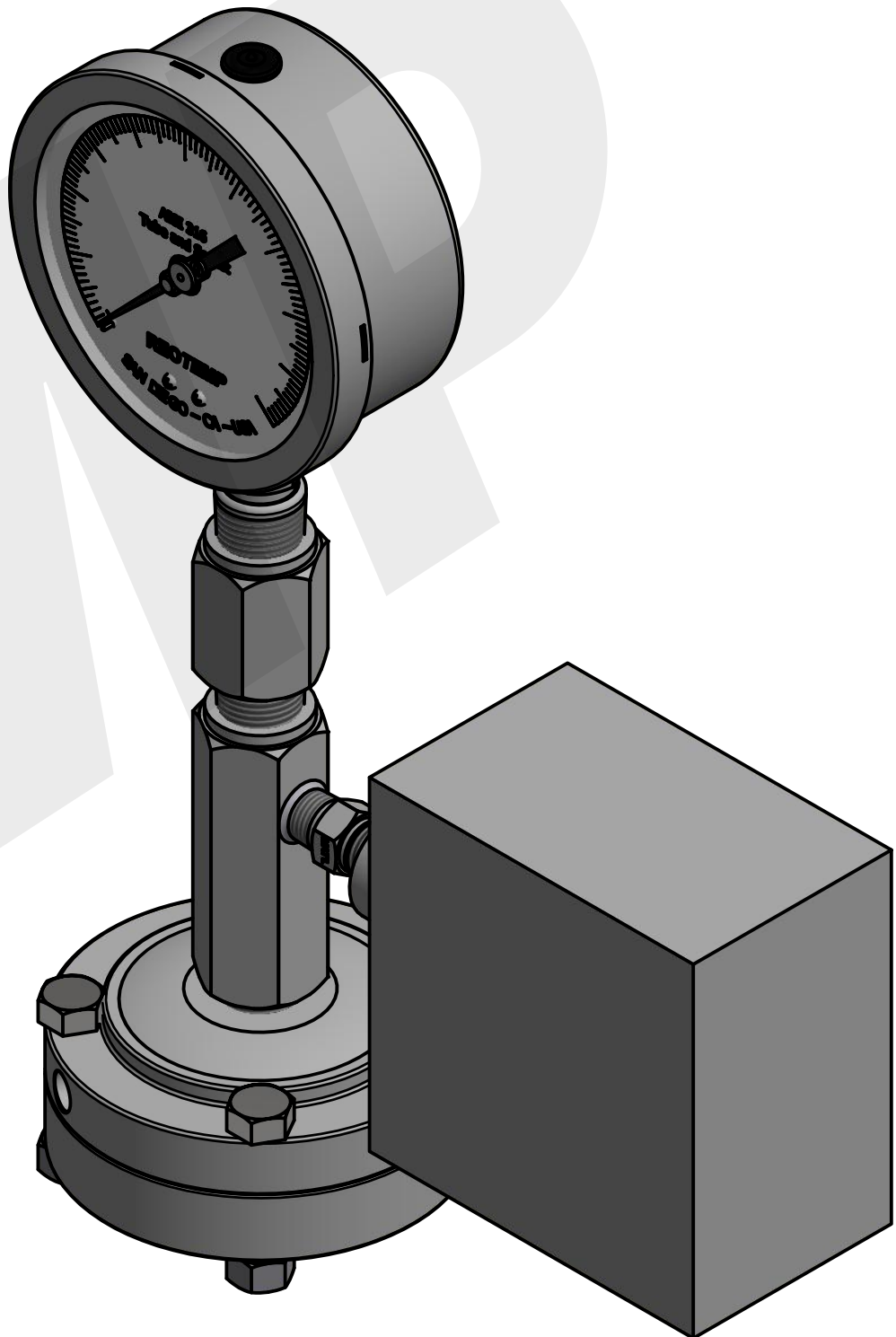
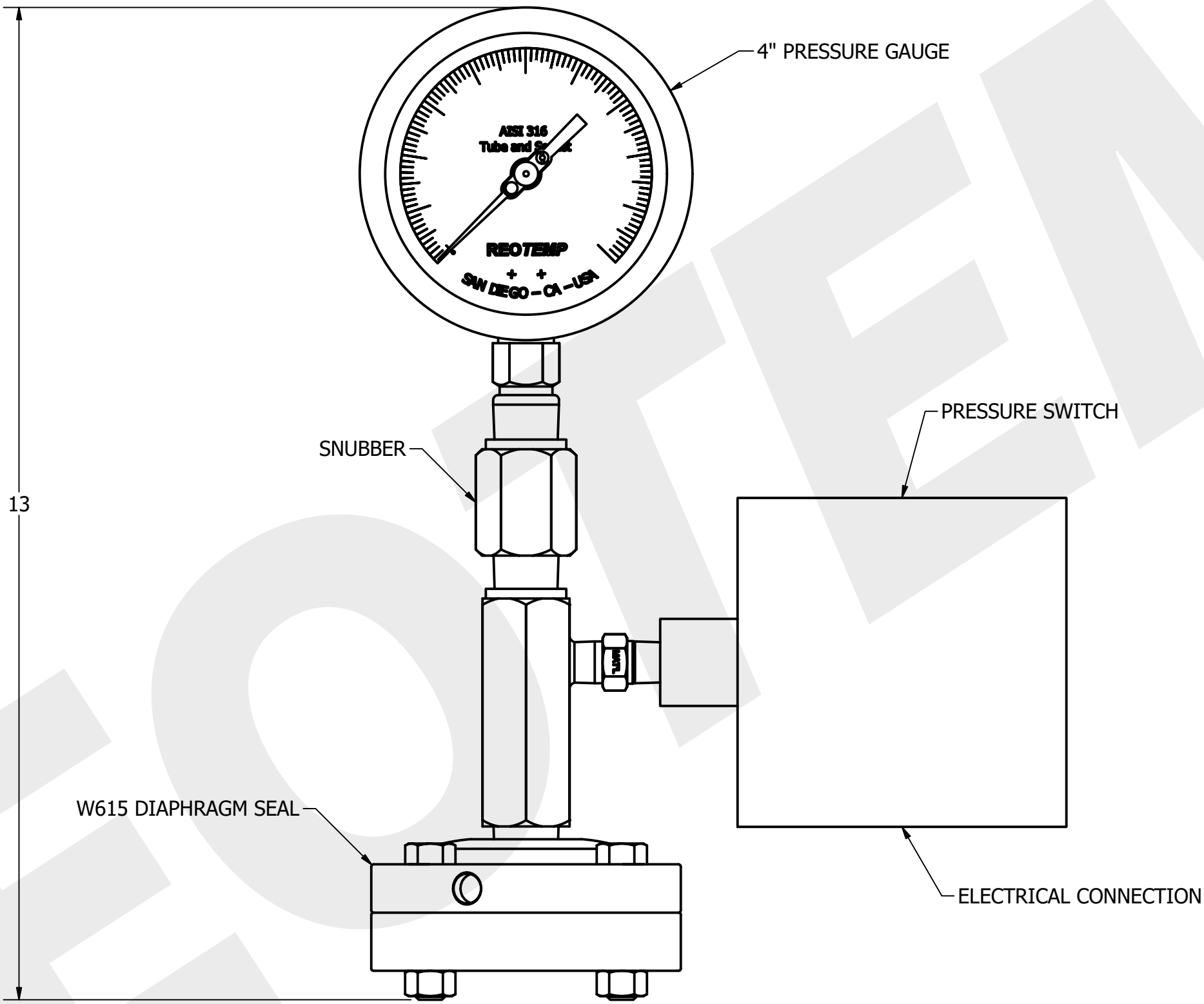


THIS DRAWING AND SPECIFICATIONS ARE THE PROPERTY OF REOTEMP INSTRUMENT CORP., AND ARE ISSUED IN STRICT CONFIDENCE AND SHALL NOT BE REPRODUCED, COPIED OR USED AS THE BASIS FOR MANUFACTURE OR SALE OF ITEMS DEPICTED HEREIN WITHOUT WRITTEN PERMISSION FROM REOTEMP INSTRUMENT CORP.

NOTES (UNLESS OTHERWISE SPECIFIED)

- 1) DIMENSIONS ARE IN INCHES
- 2) PRODUCTS TO BE BUILT PER REOTEMP CATALOG SPECIFICATION, UNLESS OTHERWISE SPECIFIED.
- 3) MATERIALS: 300 SERIES STAINLESS STEEL

REVISIONS			
REV	DESCRIPTION	DATE	APPROVED
X1	INITIAL RELEASE	12/3/18	JA



PART NAME <b>Compact Tree Assembly: 4" Gauge, Pressure Switch, W615 Diaphragm</b>			
UNLESS OTHERWISE SPECIFIED DIMENSIONS ARE IN INCHES TOLERANCES ARE:		Reotemp Instrument Corporation 10656 Roselle Street San Diego, CA 92121 USA Phone: (858) 784-0710 Fax: (858) 784-0720	
FRACTIONS    DECIMALS    ANGLES ±1/32        .X ± .03        ±1° .XX ± .01 .XXX ± .005		DATE 12/3/18 DRAWN BY MNeill APPROVED BO	
PART NO	SIZE C	CAGE CODE 24793	DWG NO 20454
FIRST USED ON	SCALE: NTS	FILE NAME:	REV X1
			SHEET 1 OF 1