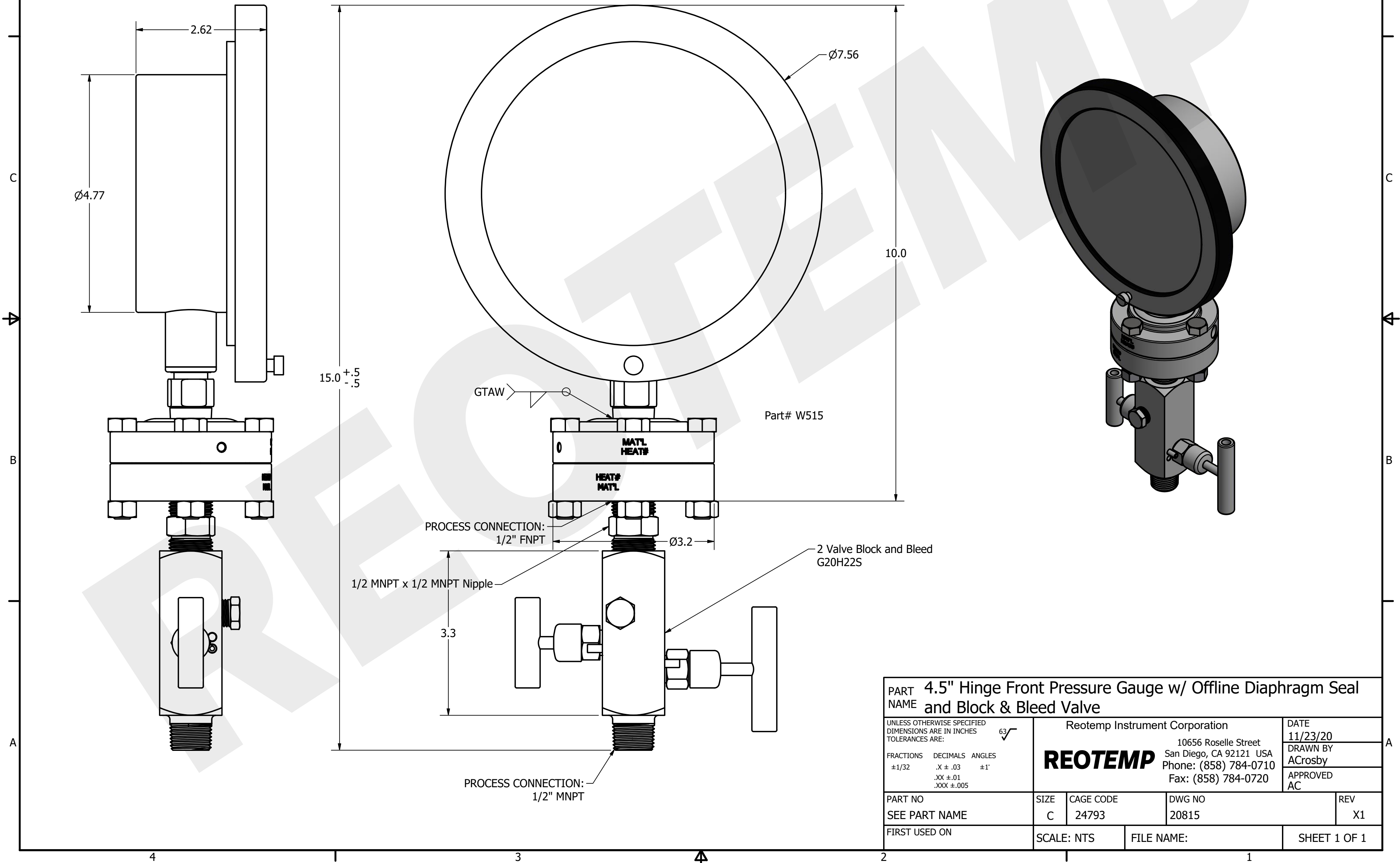


THIS DRAWING AND SPECIFICATIONS ARE THE PROPERTY OF REOTEMP INSTRUMENT CORP., AND ARE ISSUED IN STRICT CONFIDENCE AND SHALL NOT BE REPRODUCED, COPIED OR USED AS THE BASIS FOR MANUFACTURE OR SALE OF ITEMS DEPICTED HEREIN WITHOUT WRITTEN PERMISSION FROM REOTEMP INSTRUMENT CORP.

NOTES (UNLESS OTHERWISE SPECIFIED)

- 1) DIMENSIONS ARE IN INCHES
- 2) PRODUCTS TO BE BUILT PER REOTEMP CATALOG SPECIFICATION, UNLESS OTHERWISE SPECIFIED.

REVISIONS			
REV	DESCRIPTION	DATE	APPROVED
X1	INITIAL RELEASE	11/23/20	AC



<b>PART NAME</b> 4.5" Hinge Front Pressure Gauge w/ Offline Diaphragm Seal and Block & Bleed Valve			
<small>UNLESS OTHERWISE SPECIFIED DIMENSIONS ARE IN INCHES TOLERANCES ARE:</small>		Reotemp Instrument Corporation 10656 Roselle Street San Diego, CA 92121 USA Phone: (858) 784-0710 Fax: (858) 784-0720	
<small>FRACTIONS DECIMALS ANGLES</small> <small>±1/32 .X ±.03 ±1'</small> <small>.XX ±.01</small> <small>.XXX ±.005</small>		DATE 11/23/20 DRAWN BY ACrosby APPROVED AC	
<b>PART NO</b> SEE PART NAME	<b>SIZE</b> C	<b>CAGE CODE</b> 24793	<b>DWG NO</b> 20815
<b>FIRST USED ON</b>	<b>SCALE:</b> NTS	<b>FILE NAME:</b>	<b>REV</b> X1
<b>SHEET 1 OF 1</b>			