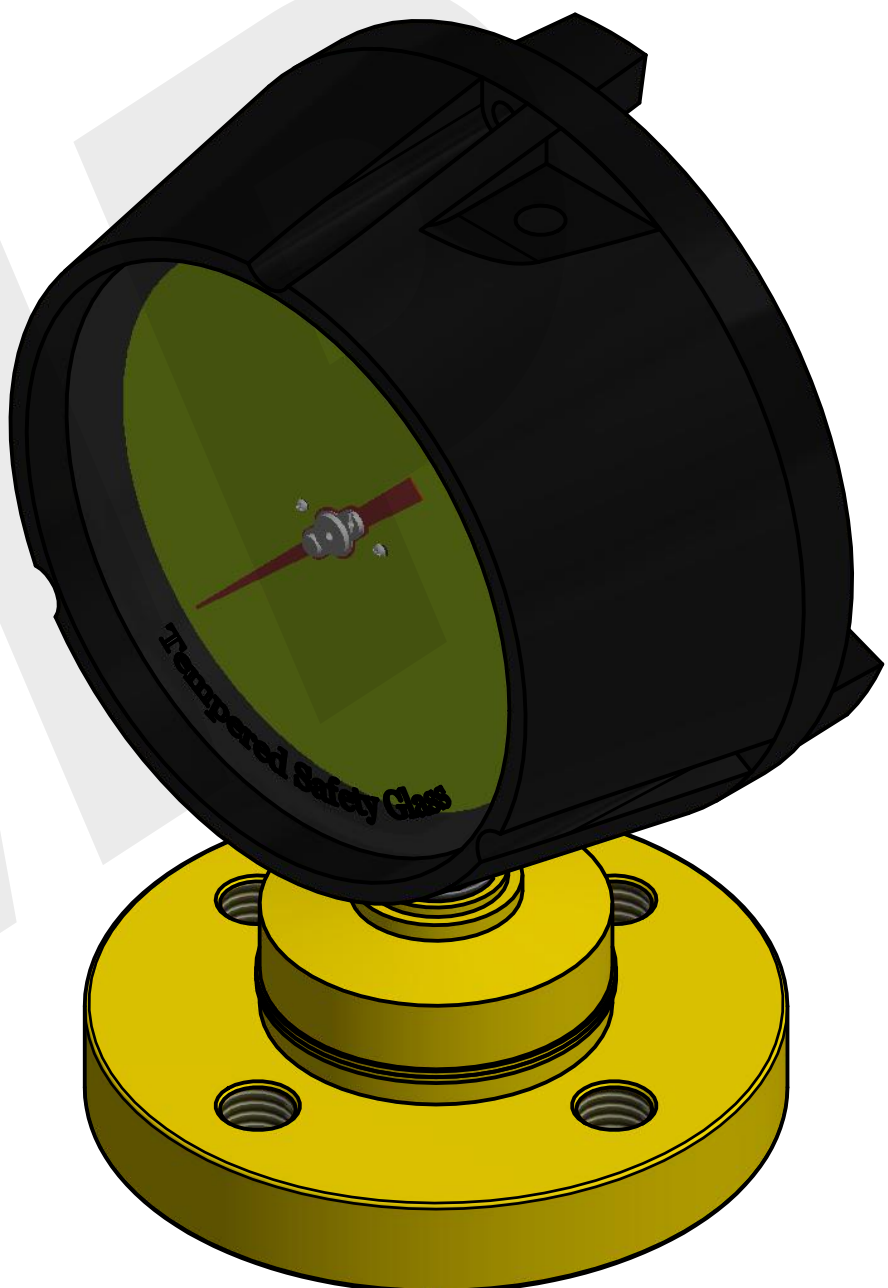
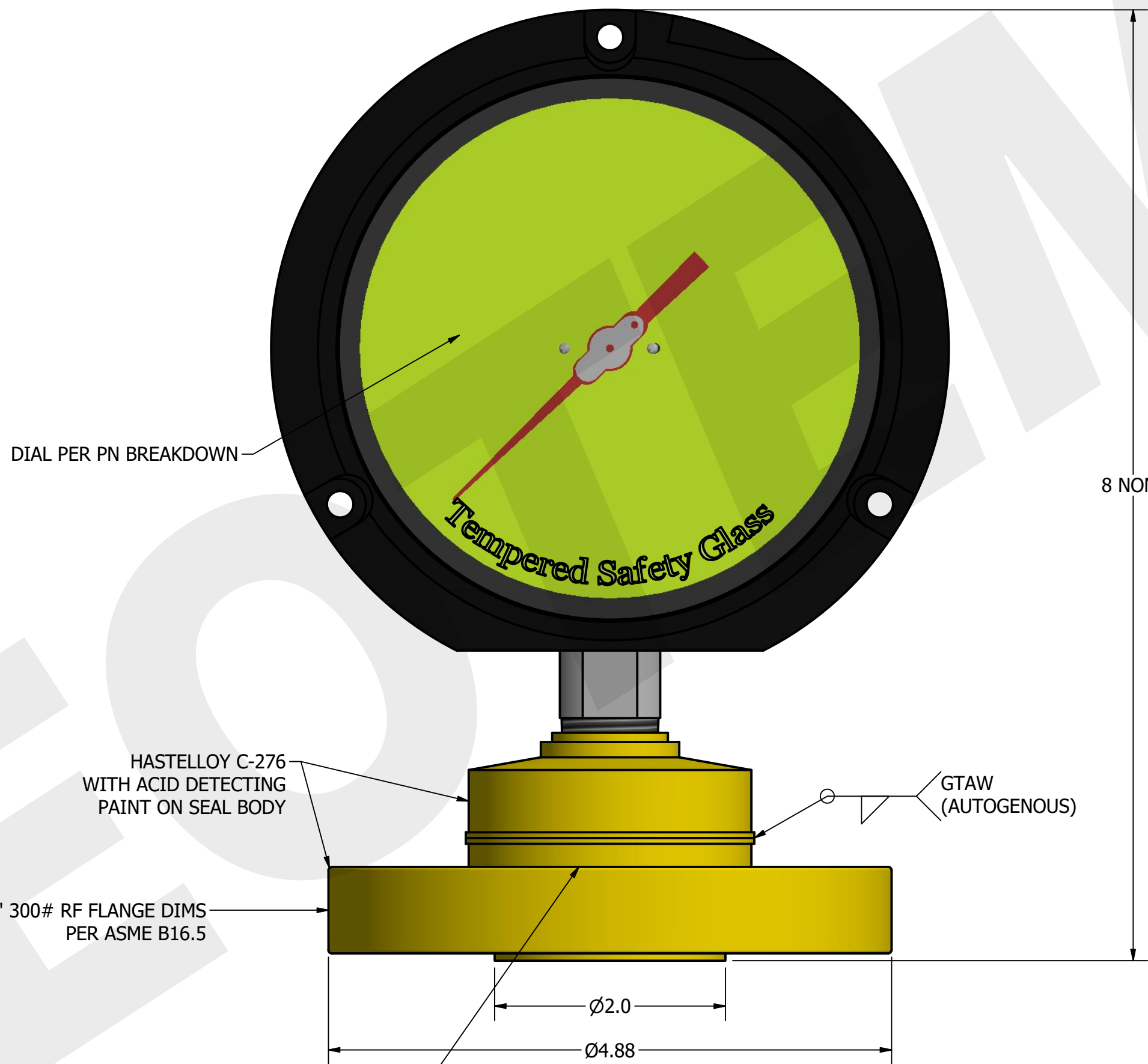


THIS DRAWING AND SPECIFICATIONS ARE THE PROPERTY OF REOTEMP INSTRUMENT CORP., AND ARE ISSUED IN STRICT CONFIDENCE AND SHALL NOT BE REPRODUCED, COPIED OR USED AS THE BASIS FOR MANUFACTURE OR SALE OF ITEMS DEPICTED HEREIN WITHOUT WRITTEN PERMISSION FROM REOTEMP INSTRUMENT CORP.

NOTES (UNLESS OTHERWISE SPECIFIED)

- 1) DIMENSIONS ARE IN INCHES
- 2) PRODUCTS TO BE BUILT PER REOTEMP CATALOG SPECIFICATION, UNLESS OTHERWISE SPECIFIED.

REVISIONS			
REV	DESCRIPTION	DATE	APPROVED
X1	INITIAL RELEASE	8/31/2020	RY



8 NOM.

HASTELLOY C-276
WITH ACID DETECTING
PAINT ON SEAL BODY

GTAW
(AUTOGENOUS)

1" 300# RF FLANGE DIMS
PER ASME B16.5

Gold Plated Hastelloy C-276 Diaphragm

PART NAME Flanged All-Welded HF Acid Gauge Assembly, Gold Plated Diaphragm

UNLESS OTHERWISE SPECIFIED
DIMENSIONS ARE IN INCHES
TOLERANCES ARE:

FRACTIONS	DECIMALS	ANGLES
±1/32	.X ± .03	±1'
	.XX ± .01	
	.XXX ± .005	

Reotemp Instrument Corporation
10656 Roselle Street
San Diego, CA 92121 USA
Phone: (858) 784-0710
Fax: (858) 784-0720

DATE
8/31/2020
DRAWN BY
MNeill
APPROVED
RY

PART NO SEE PN BREAKDOWN	SIZE C	CAGE CODE 24793	DWG NO 20739	REV X1
FIRST USED ON	SCALE: NTS	FILE NAME:	SHEET 1 OF 1	