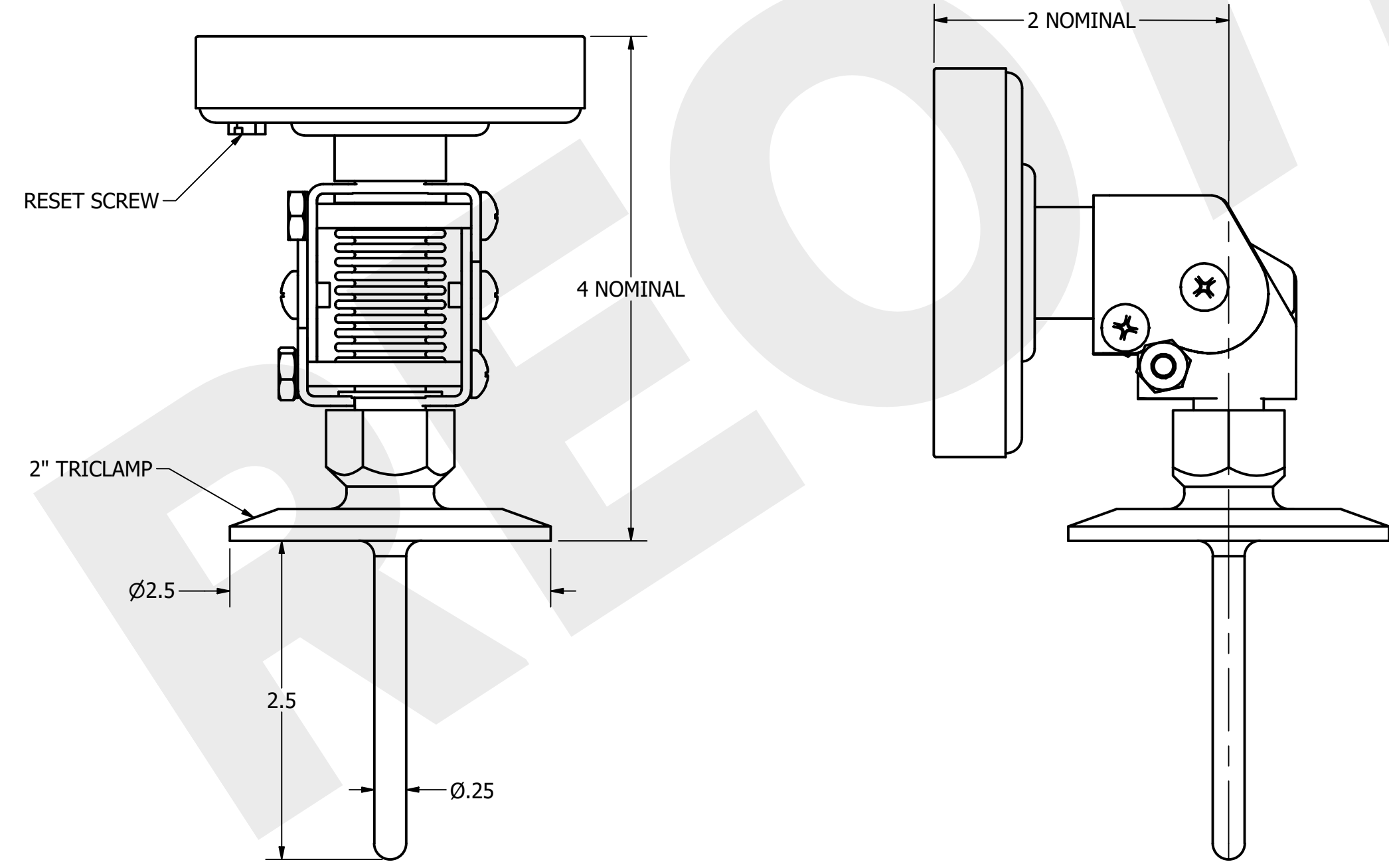
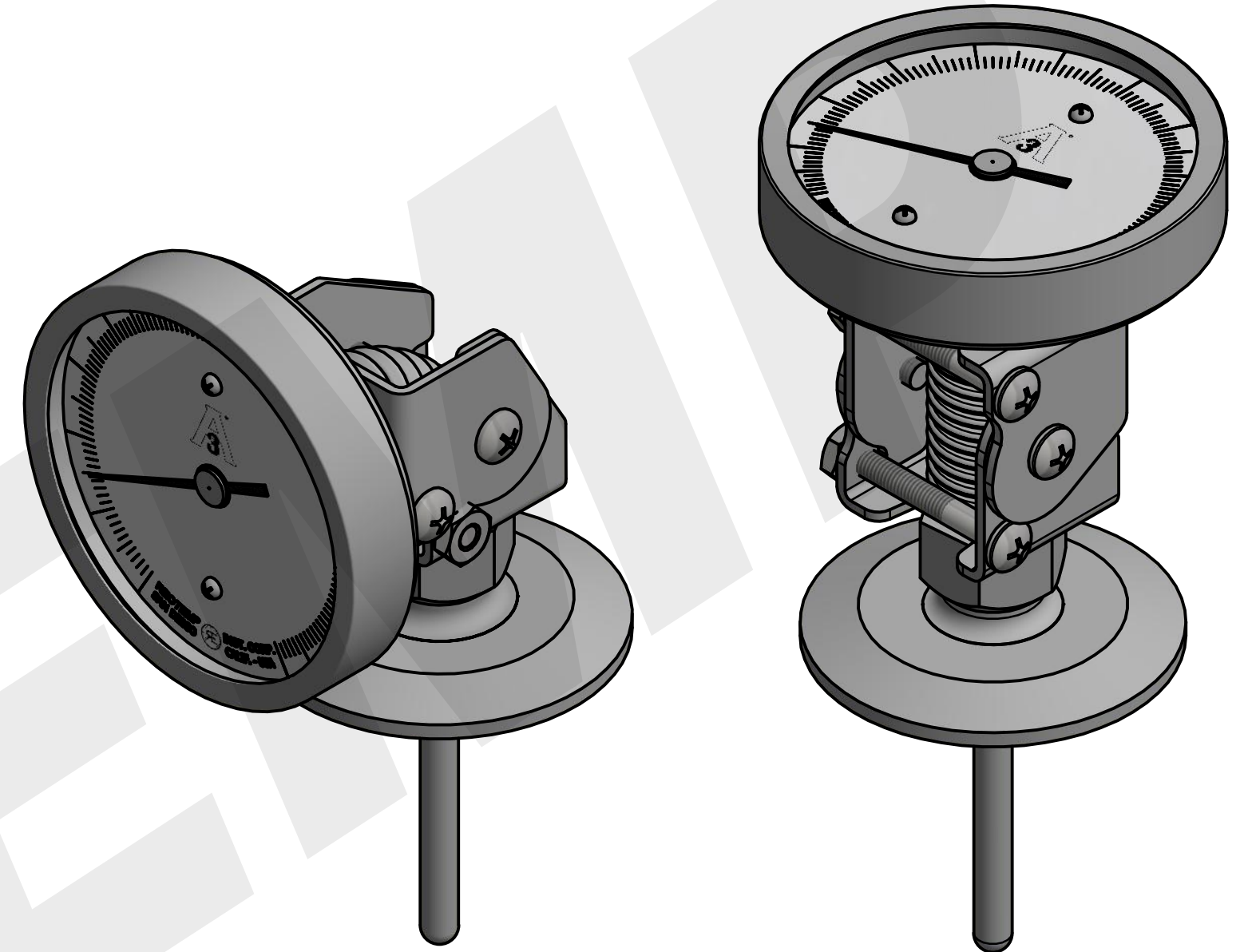
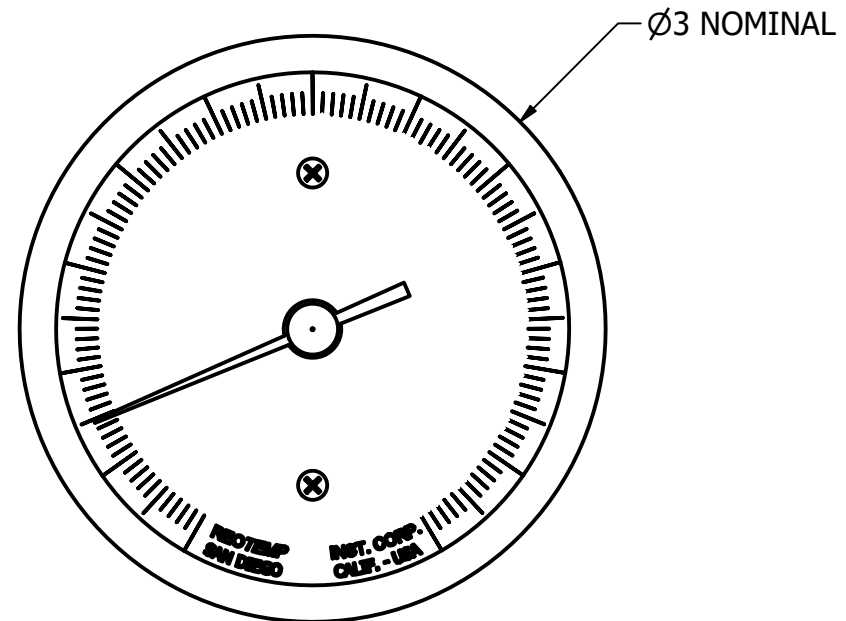


THIS DRAWING AND SPECIFICATIONS ARE THE PROPERTY OF REOTEMP INSTRUMENT CORP., AND ARE ISSUED IN STRICT CONFIDENCE AND SHALL NOT BE REPRODUCED, COPIED OR USED AS THE BASIS FOR MANUFACTURE OR SALE OF ITEMS DEPICTED HEREIN WITHOUT WRITTEN PERMISSION FROM REOTEMP INSTRUMENT CORP.

REVISIONS			
REV	DESCRIPTION	DATE	APPROVED
X1	INITIAL RELEASE	4/28/2021	MN

NOTES (UNLESS OTHERWISE SPECIFIED)

- 1) DIMENSIONS ARE IN INCHES
- 2) BEST COMMERCIAL MANUFACTURING PRACTICES APPLY, UNLESS OTHERWISE SPECIFIED.
- 3) PART TO BE FREE OF OILS AND BURRS
- 4) MATERIAL: 300 SERIES STAINLESS STEEL, 316 IS OPTIONAL



PART NAME <b>3in Adjustable Angle w/Reset, 2in Triclamp, 2.5in Stem Length</b>			
UNLESS OTHERWISE SPECIFIED DIMENSIONS ARE IN INCHES TOLERANCES ARE:		Reotemp Instrument Corporation 10656 Roselle Street San Diego, CA 92121 USA Phone: (858) 784-0710 Fax: (858) 784-0720	
FRACTIONS ±1/32	DECIMALS .X ± .03 .XX ± .01 .XXX ± .005	ANGLES ±1'	DATE 4/28/2021 DRAWN BY MNeill APPROVED MN
PART NO LL025L47	SIZE C	CAGE CODE 24793	DWG NO 20893
FIRST USED ON	SCALE: NTS	FILE NAME:	REV X1 SHEET 1 OF 1