

THIS DRAWING AND SPECIFICATIONS ARE THE PROPERTY OF REOTEMP INSTRUMENT CORP., AND ARE ISSUED IN STRICT CONFIDENCE AND SHALL NOT BE REPRODUCED, COPIED OR USED AS THE BASIS FOR MANUFACTURE OR SALE OF ITEMS DEPICTED HEREIN WITHOUT WRITTEN PERMISSION FROM REOTEMP INSTRUMENT CORP.

NOTES (UNLESS OTHERWISE SPECIFIED)

- 1) DIMENSIONS ARE IN INCHES
- 2) BEST COMMERCIAL MANUFACTURING PRACTICES APPLY, UNLESS OTHERWISE SPECIFIED.
- 3) PART TO BE FREE OF OILS AND BURRS
- 4) 4-20mA HART TRANSMITTER WITH WINDOW TOUCH DISPLAY, EXPLOSION PROOF, 2-WIRE LOOP POWERED (10-30VDC).

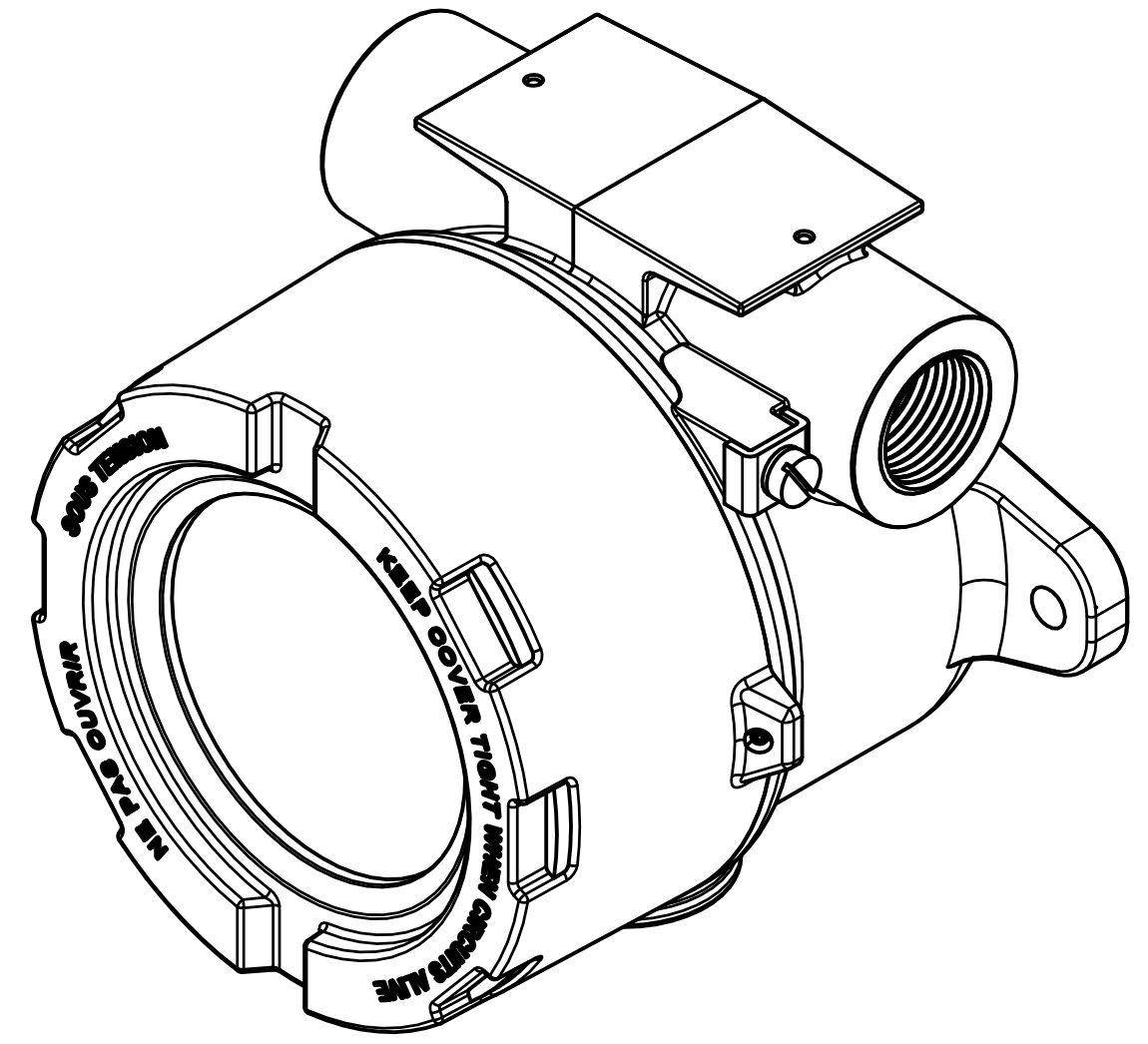
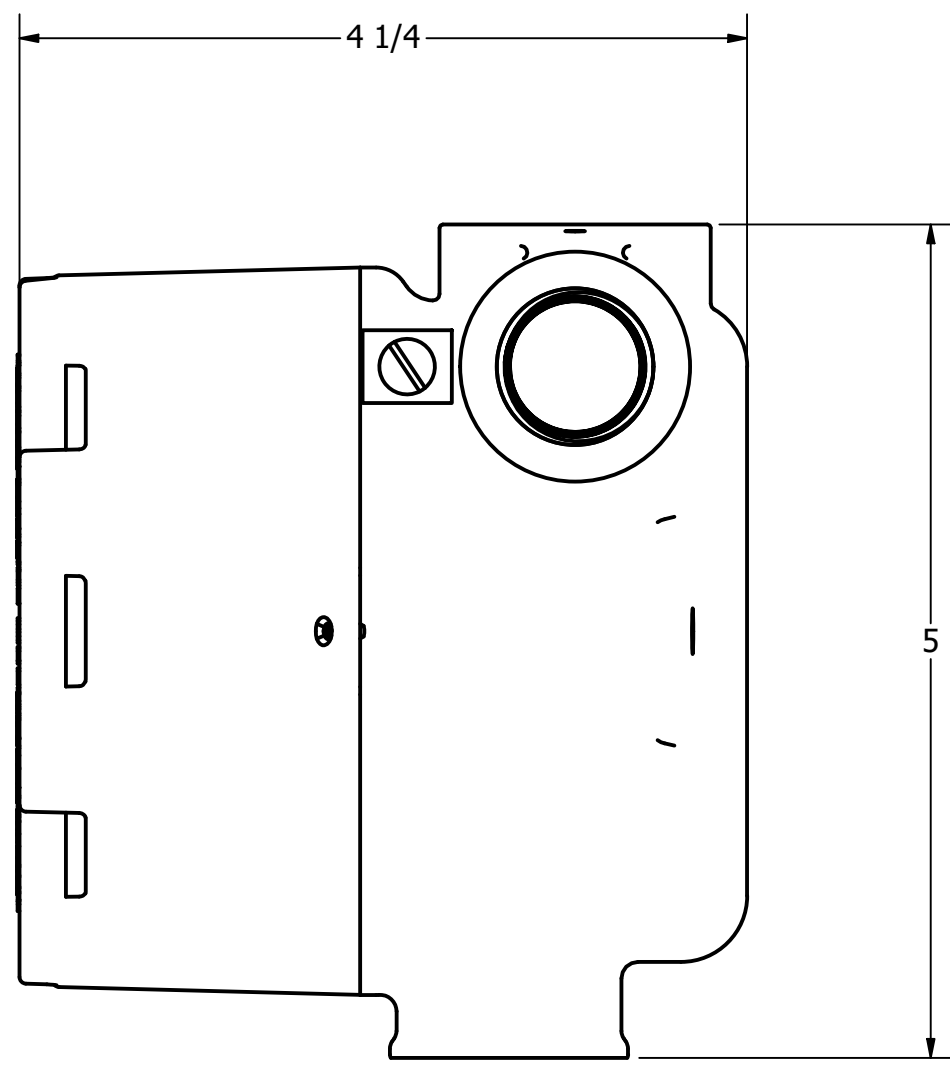
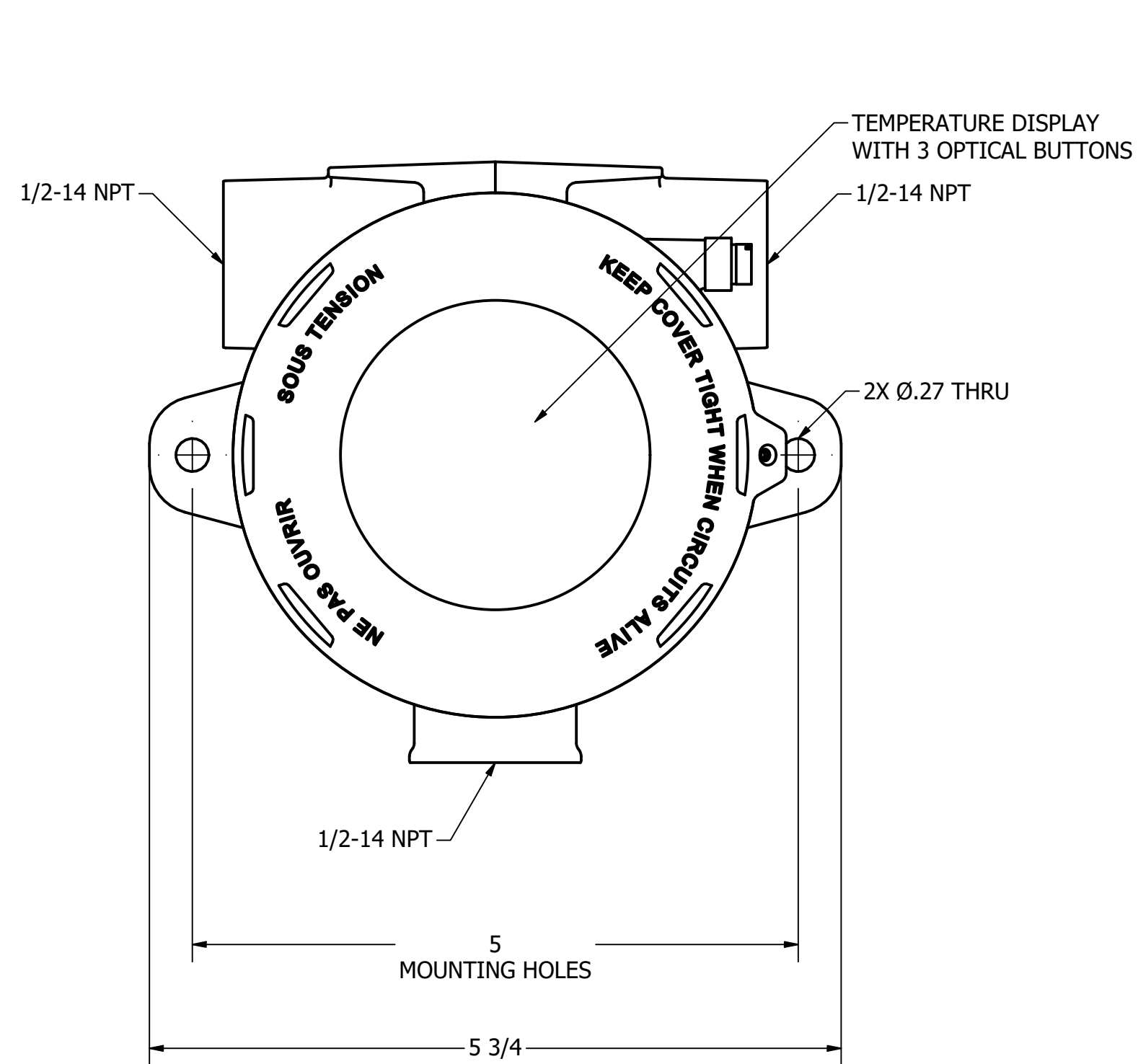
REVISIONS			
REV	DESCRIPTION	DATE	APPROVED
X1	INITIAL RELEASE	4/28/22	JT

D

C

B

A



D

C

B

A

PART NAME MODEL W HEAD DRAWING			
UNLESS OTHERWISE SPECIFIED DIMENSIONS ARE IN INCHES TOLERANCES ARE:		Reotemp Instrument Corporation	
DECIMALS	ANGLES	10656 Roselle Street	
.X ± .03	±1°	San Diego, CA 92121 USA	
.XX ± .01		Phone: (858) 784-0710	
.XXX ± .005	FRACTIONS	Fax: (858) 784-0720	
.XXXX ± .002	±1/32	DATE 4/28/22	
RADII = 1/32		DRAWN BY JTrembley	
PART NO TCX-006WHY	SIZE C	CAGE CODE 24793	DWG NO 40253
FIRST USED ON	SCALE: NTS	FILE NAME:	REV X1
			APPROVED JT
			SHEET 1 OF 1

4

3

2

1