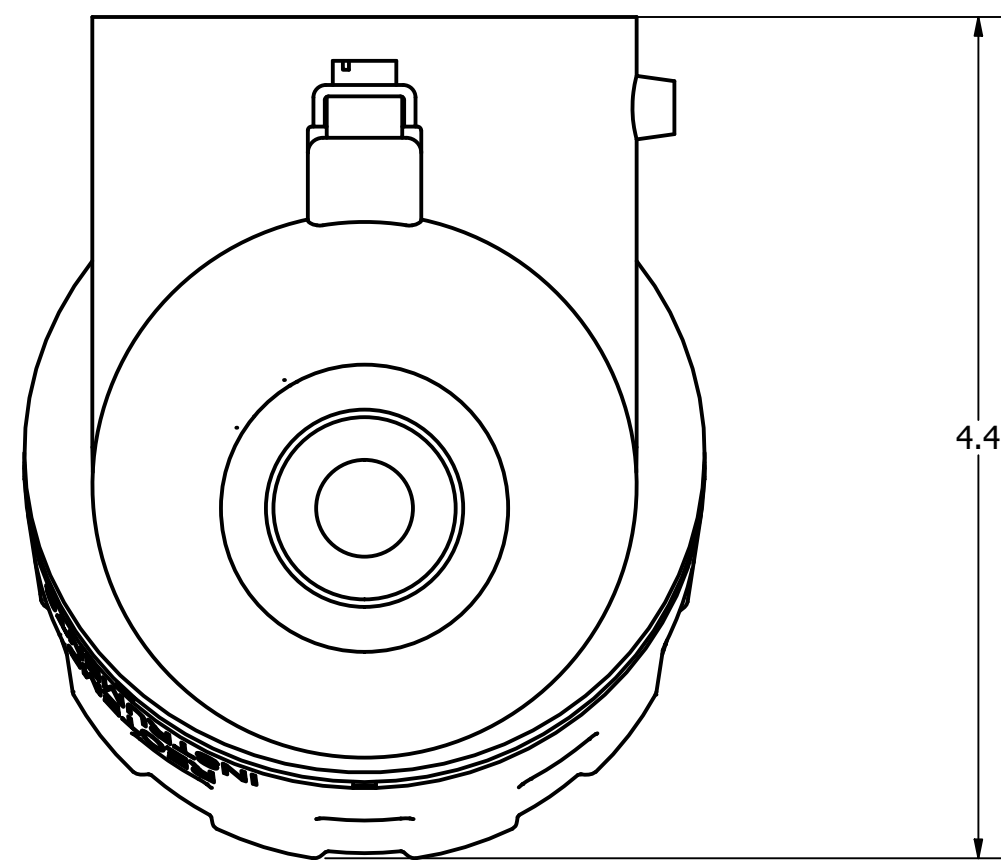
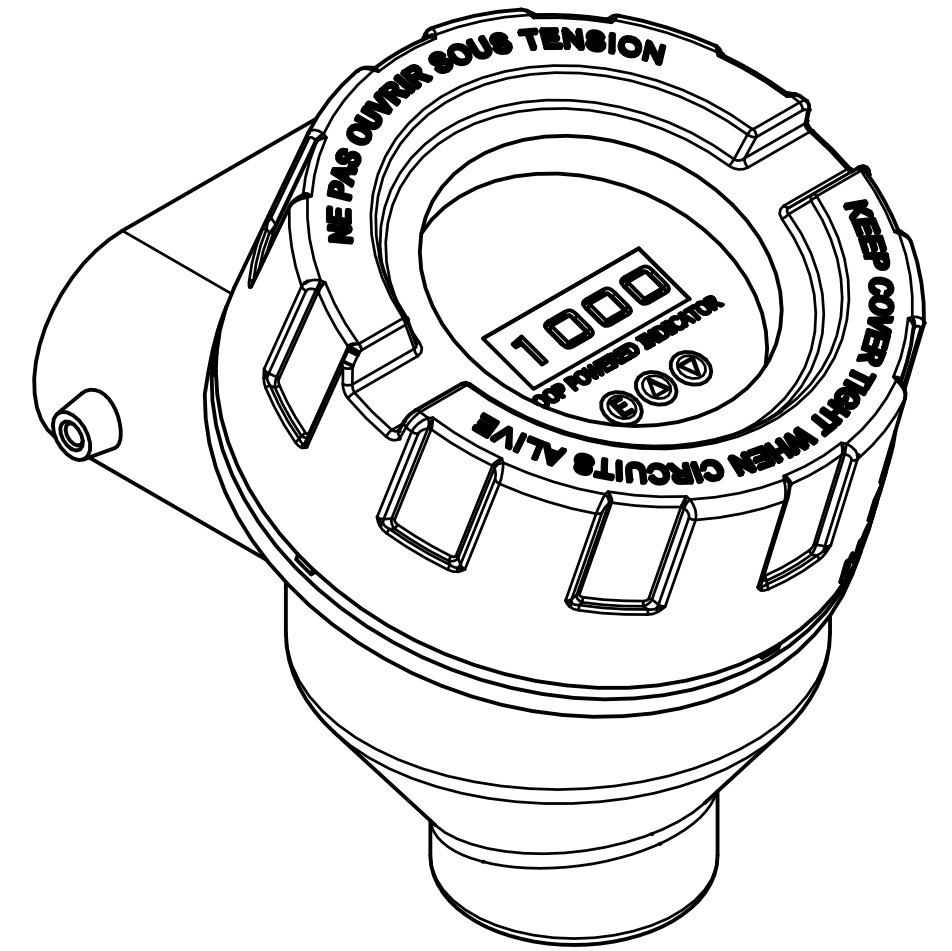
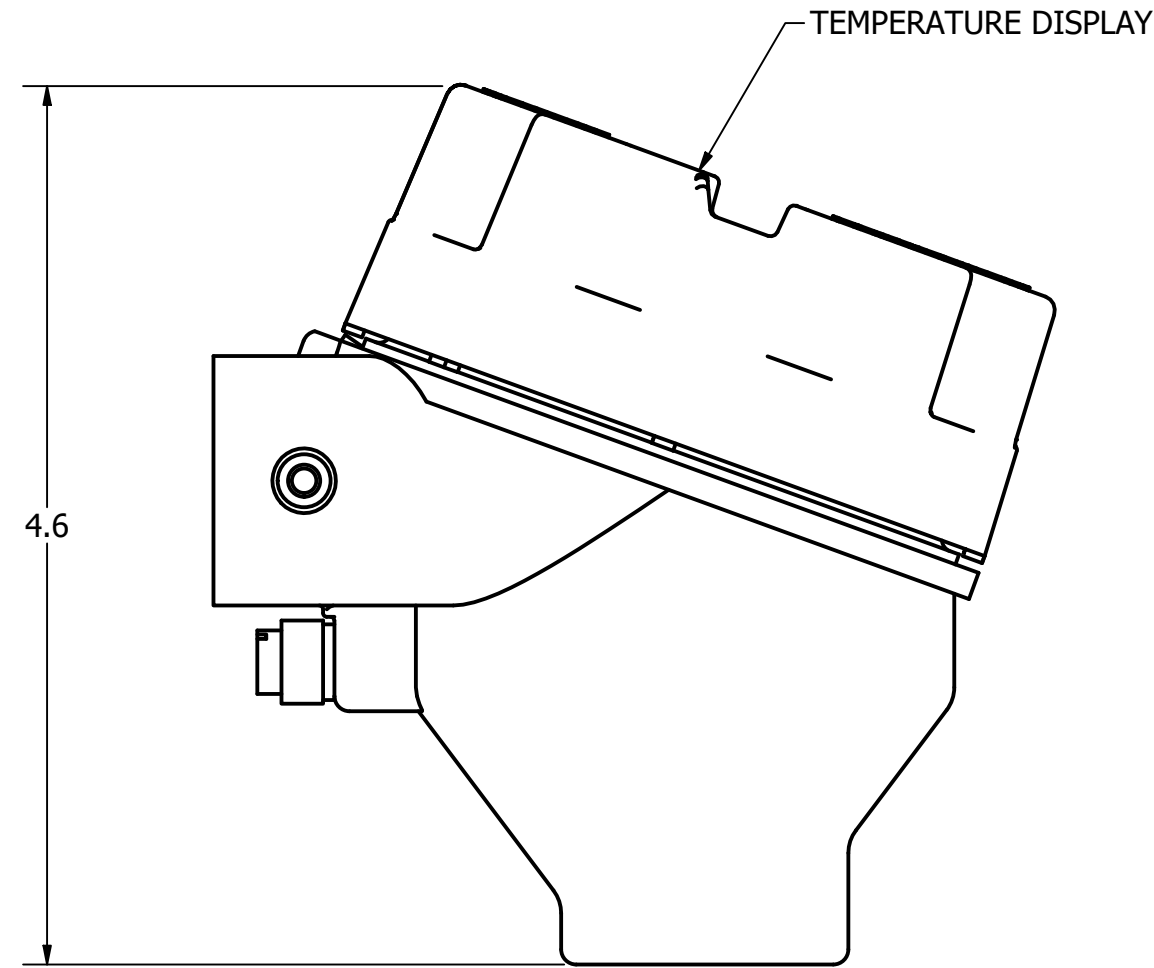
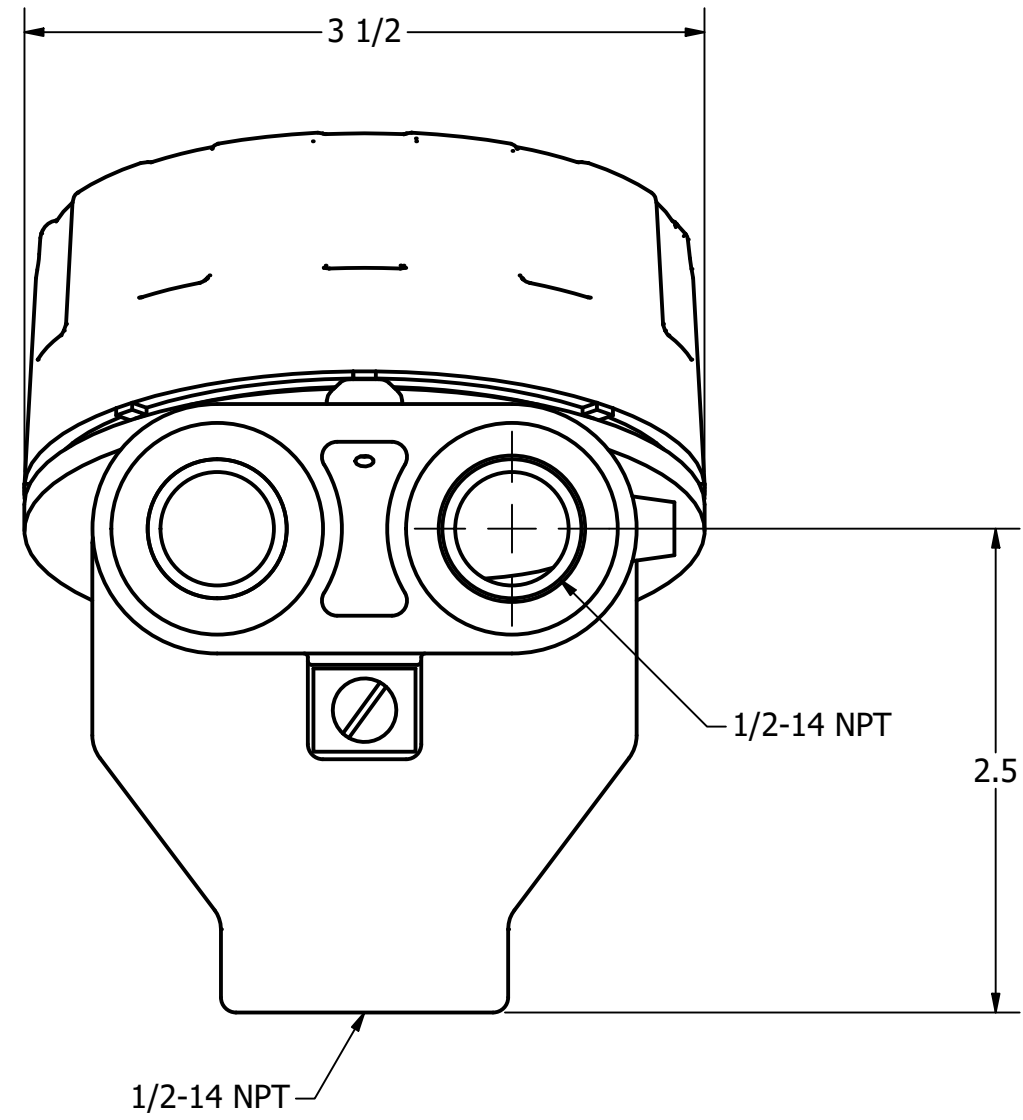


THIS DRAWING AND SPECIFICATIONS ARE THE PROPERTY OF REOTEMP INSTRUMENT CORP., AND ARE ISSUED IN STRICT CONFIDENCE AND SHALL NOT BE REPRODUCED, COPIED OR USED AS THE BASIS FOR MANUFACTURE OR SALE OF ITEMS DEPICTED HEREIN WITHOUT WRITTEN PERMISSION FROM REOTEMP INSTRUMENT CORP.

NOTES (UNLESS OTHERWISE SPECIFIED)

- 1) DIMENSIONS ARE IN INCHES
- 2) BEST COMMERCIAL MANUFACTURING PRACTICES APPLY, UNLESS OTHERWISE SPECIFIED.
- 3) PART TO BE FREE OF OILS AND BURRS
- 4) 4-20mA HART TRANSMITTER WITH WINDOW DISPLAY, EXPLOSION PROOF, 2-WIRE LOOP POWERED (13-30VDC)

REVISIONS			
REV	DESCRIPTION	DATE	APPROVED
X1	INITIAL RELEASE	4/28/22	JT



PART NAME Z-TEMP HEAD WITH HART TRANSMITTER			
UNLESS OTHERWISE SPECIFIED DIMENSIONS ARE IN INCHES TOLERANCES ARE:		Reotemp Instrument Corporation	
DECIMALS	ANGLES	SURFACES	DATE
.X ± .03	±1°	63	4/28/22
.XX ± .01			DRAWN BY
.XXX ± .005	FRACTIONS		JTrembley
.XXXX ± .002	±1/32		APPROVED
RADII = 1/32			JT
PART NO	SIZE	CAGE CODE	DWG NO
TCX006Z/TCXT4Y	C	24793	40254
FIRST USED ON	SCALE: NTS	FILE NAME:	REV
			X1
			SHEET 1 OF 1