

SCHAEFFER STYLE SEAL GAUGE

Reotemp's PSS series is a Schaeffer style seal gauge with a diaphragm sensing element used to measure pressure for gases, liquids, or solids. The mechanical diaphragm seal design minimizes thermal related accuracy errors making it the ideal choice for lower pressure applications.



**4" Diaphragm
Ranges \geq 160iwc**



**6" Diaphragm Design
Ranges \leq 100iwc**

FEATURES / BENEFITS

- Low Pressure Ranges Available
- Open Front or Solid Front Case Design
- Overpressure Resistant
- Various Wetted Materials Available
- More Reliable than Bourdon Tube Type Gauges

SPECIFICATIONS

Accuracy	\pm 1.6% FS – 316SS Diaphragm \pm 2.5% FS – 316SS Diaphragm with PTFE Lining
Ambient Limits	0/200°F 30/150°F – Filled with Glycerin
Process Limits	0/140°F Special Temperature Upon Request
Wetted Materials	316L with FPM Gasket Optional 316L with PTFE Lining & Gasket; Other Upon Request
Lens	Standard: Laminated Safety Glass Others Upon Request
Other Materials	Case: 304SS Dial: Aluminum
Ranges	4iwc – 600psi (316L Diaphragm) 16iwc – 600psi (316L w/ PTFE Diaphragm)
Connections	NPT (Male), ANSI Flange, BSP, DN Flange
Upper Flange OD Size	4" Flange: \geq 160 iwc 6" Flange: \leq 100 iwc
Maximum Working Pressure	Overrange: 5x Pressure Range, Max 600psi

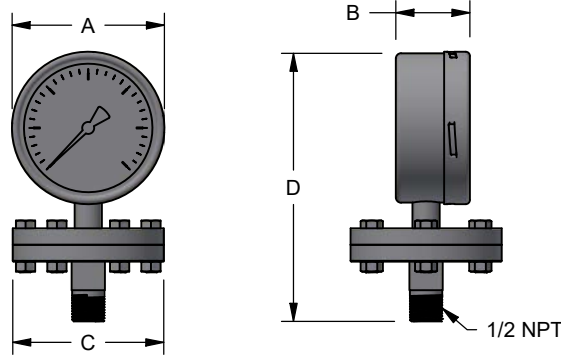
THREADED SCHAEFFER STYLE SEAL GAUGE

HOW TO ORDER: Choose options to build a part number. For example: **PSS4S1AM2XP18-D-P-HV**

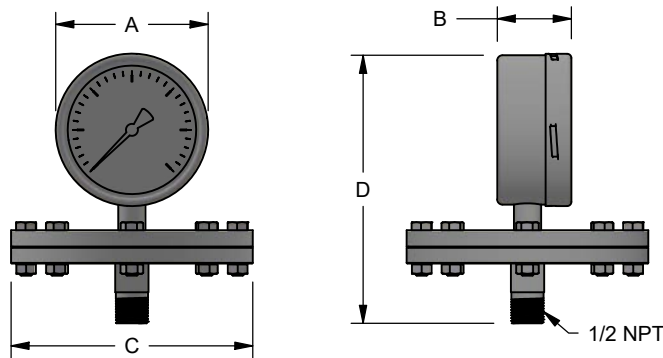
MODEL	DIAL SIZE	CASE	MATERIAL	MOUNT TYPE	CONNECTION	RANGE CODE
PSS = Threaded Schaeffer Style Diaphragm Seal Gauge	4 = 4" Dial 6 = 6" Dial	S = 304 Stainless Steel F = Solid-Front Stainless Steel T = 316 Stainless Steel G = 316SS Solid-Front Stainless Steel	1 = 316SS Wetted Material (Diaphragm & Lower Housing) L = PTFE (316SS w/ PTFE Lining) 3 = Monel Wetted Material (Diaphragm & Lower Housing) H = Hastelloy C-276 Wetted Material (Diaphragm & Lower Housing) <i>Other Configurations Available Upon Request</i>	A = Bottom	M2X = 1/2" MNPT MBX = 1/2" BSPP <i>Others available upon request.</i>	P16 = 0-30 psi P17 = 0-60 psi P18 = 0-100 psi P19 = 0-160 psi P20 = 0-200 psi P21 = 0-300 psi P504 = 0-4 iwc P508 = 0-8 iwc P50 = 0-10 iwc P51 = 0-15 iwc P52 = 0-30 iwc P53 = 0-60 iwc P54 = 0-100 iwc P73 = -30/0/30 iwc P74 = -60/0/60 iwc P75 = -100/0/100 iwc <i>For Additional Range Codes See Page 59</i>

CASE FILL	LENS	OPTIONS
-D = Dry (Non-Fillable) -G = Glycerin Filled -S = Silicone Filled	-S = Laminated Safety Glass (Std) -P = Polycarbonate Lens -G = Instrument Glass	-HV = HiVis Dial -R1 = Upgraded Accuracy ±1% (call) -R2 = Upgraded Accuracy ±0.5% (call) -HT = High Temperature Design -TS = Stainless Steel Tag

THREADED SCHAEFFER STYLE SEAL GAUGE



**4" Gauge with 4" Threaded Flange
for Ranges ≥ 160 iwc**



**4" Gauge with 6" Threaded Flange
for Ranges ≤ 100 iwc**

Threaded				
Dial Size	Case OD "A"	Case Thickness "B"	Measuring Flange Diameter "C"	Overall Height "D"
4"	3.98"	2.17"	4"	6.95"
			6"	
6"	6.34"		4"	9.31"
			6"	
4" Solid Front	3.98"	2.36"	4"	6.95"
			6"	
6" Solid Front	6.34"	3.07"	4"	9.31"
			6"	

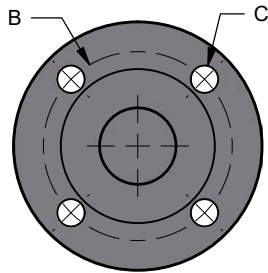
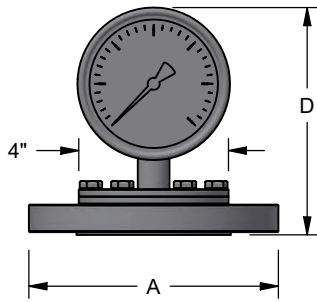
FLANGED SCHAEFFER STYLE SEAL GAUGE

HOW TO ORDER: Choose options to build a part number. For example: **PSS4S1ARH1P18-D-P-HV**

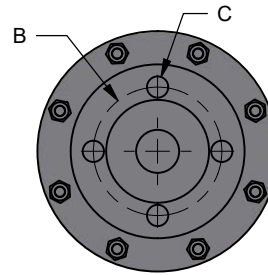
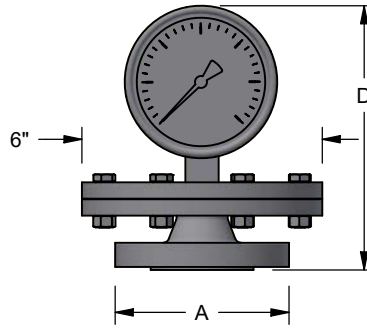
PSS	4	S	1	A	R	H
MODEL	DIAL SIZE	CASE	MATERIAL	MOUNT TYPE	SEALING FACE	PIPE SIZE
PSS = Flanged Schaeffer Style Diaphragm Seal Gauge	4 = 4" Dial 6 = 6" Dial	S = 304 Stainless Steel F = Solid-Front Stainless Steel T = 316 Stainless Steel G = 316SS Solid-Front Stainless Steel	1 = 316SS Wetted Material (Diaphragm & Lower Housing) L = PTFE (316SS w/ PTFE Lining) 3 = Monel Wetted Material (Diaphragm & Lower Housing) H = Hastelloy C-276 Wetted Material (Diaphragm & Lower Housing)	A = Bottom	R = Raised Face	0 = 1/2" ANSI 1 = 1" ANSI H = 1.5" ANSI 2 = 2" ANSI
<i>Other Configurations Available Upon Request</i>						

1	P18	-D	-P	-HV
PRESSURE RATING	RANGE CODE	CASE FILL	LENS	OPTIONS
1 = 150#RF 3 = 300#RF	P16 = 0-30 psi P17 = 0-60 psi P18 = 0-100 psi P19 = 0-160 psi P20 = 0-200 psi P21 = 0-300 psi P504 = 0-4 iwc P508 = 0-8 iwc P50 = 0-10 iwc P51 = 0-15 iwc P52 = 0-30 iwc P53 = 0-60 iwc P54 = 0-100 iwc P73 = -30/0/30 iwc P74 = -60/0/60 iwc P75 = -100/0/100 iwc <i>For Additional Range Codes See Page 59</i>	-D = Dry (Non-Fillable) -G = Glycerin Filled -S = Silicone Filled	-S = Laminated Safety Glass (Std) -P = Polycarbonate Lens -G = Instrument Glass	-HV = HiVis Dial -R1 = Upgraded Accuracy ±1% (call) -R2 = Upgraded Accuracy ±0.5% (call) -HT = High Temperature Design -TS = Stainless Steel Tag

FLANGED SCHAEFFER STYLE SEAL GAUGE



**4" Gauge with 4" Flange
for Ranges ≥ 160 iwc**



**4" Gauge with 6" Flange
for Ranges ≤ 100 iwc**

Flanged									
Measuring Flange Size	Pipe Size	Flange Class	Flange Diameter "A"	Bolt Circle Diameter "B"	Hole Diameter "C"	Number of Holes	Overall Height "D"		
							4" Dial	6" Dial	
4"	1/2"	150#	3.90"	2.38"	0.63"	4	6.36"	7.56"	
	1"		4.25"	3.13"			6.36"	7.56"	
	2"		5.98"	4.75"			0.75"	5.93"	7.13"
	1/2"	300#	3.90"	2.63"	0.63"	4	6.36"	7.54"	
	1"		4.88"	3.50"			0.75"	6.36"	7.54"
	2"		6.50"	5.00"			8	6.05"	7.23"
	1/2"	600#	3.90"	2.63"	0.63"	4	6.56"	7.76"	
	1"		4.88"	3.50"			0.75"	6.56"	7.76"
	2"		6.50"	5.00"			8	6.44"	7.64"
6"	1/2"	150#	3.50"	2.38"	0.63"	4	7.38"	8.56"	
	1"		4.25"	3.13"			7.70"	8.88"	
	2"		5.98"	4.75"			0.75"	8.01"	9.19"

PRESSURE GAUGE RANGES AND CODES

PRESSURE GAUGES

VACUUM/COMPOUND RANGES

psi		Dual Scale & psi & Metric						Single Scale-Metric					
"Hg/0/psi		psi & bar		psi & kg/cm ²		psi & kPa		bar		kg/cm ²		kPa	
Code	Range	Code	Range	Code	Range	Code	Range	Code	Range	Code	Range	Code	Range
P01	-30"/Hg/0	D01	"Hg & -1/0 bar	G01	"Hg & -1/0 kg/cm ²	L01	"Hg & -100/0 kPa	B00	-1/0 bar	K00	-1/0 kg/cm ²	A00	-100/0 kPa
P02	-30/0/15	D02	psi & -1/0/1	G02	psi & -1/0/1	L02	psi & -100/0/100	B01	-1/0/1	K01	-1/0/1	A01	-100/0/100
P03	-30/0/30	D03	psi & -1/0/2	G03	psi & -1/0/2	L03	psi & -100/0/200	B02	-1/0/2	K02	-1/0/2	A02	-100/0/200
P04	-30/0/60	D04	psi & -1/0/4	G04	psi & -1/0/4	L04	psi & -100/0/400	B04	-1/0/4	K04	-1/0/4	A04	-100/0/400
P05	-30/0/100	D05	psi & -1/0/7	G05	psi & -1/0/7	L05	psi & -100/0/700	B07	-1/0/7	K07	-1/0/7	A07	-100/0/700
P06	-30/0/160	D06	psi & -1/0/11	G06	psi & -1/0/11	L06	psi & -100/0/1,100	B011	-1/0/11	K011	-1/0/11	A011	-100/0/1,100
P07	-30/0/200	D07	psi & -1/0/14	G07	psi & -1/0/14	L07	psi & -100/0/1,400	B014	-1/0/14	K014	-1/0/14	A014	-100/0/1,400
P08	-30/0/300	D08	psi & -1/0/20	G08	psi & -1/0/20	L08	psi & -100/0/2,000	B020	-1/0/20	K020	-1/0/20	A020	-100/0/2,000

PRESSURE RANGES

psi		Dual Scale & psi & Metric						Single Scale-Metric					
psi		psi & bar		psi & kg/cm ²		psi & kPa		bar		kg/cm ²		kPa	
Code	Range	Code	Range	Code	Range	Code	Range	Code	Range	Code	Range	Code	Range
P14	0-10 psi	D14	psi & .7 bar	G14	psi & .7 kg/cm ²	L14	psi & 70 kPa						
P15	0-15	D15	psi & 0-1	G15	psi & 0-1	L15	psi & 0-100	B1	0-1 bar	K1	0-1 kg/cm ²	A1	0-100 kPa
P16	0-30	D16	psi & 0-2	G16	psi & 0-2	L16	psi & 0-200	B2	0-2	K2	0-2	A2	0-200
P17	0-60	D17	psi & 0-4	G17	psi & 0-4	L17	psi & 0-400	B4	0-4	K4	0-4	A4	0-400
P18	0-100	D18	psi & 0-7	G18	psi & 0-7	L18	psi & 0-700	B7	0-7	K7	0-7	A7	0-700
P19	0-160	D19	psi & 0-11	G19	psi & 0-11	L19	psi & 0-1,100	B11	0-11	K11	0-11	A11	0-1,100
P20	0-200	D20	psi & 0-14	G20	psi & 0-14	L20	psi & 0-1,400	B14	0-14	K14	0-14	A14	0-1,400
P21	0-300	D21	psi & 0-20	G21	psi & 0-20	L21	psi & 0-2,000	B20	0-20	K20	0-20	A20	0-2,000
P22	0-400	D22	psi & 0-28	G22	psi & 0-28	L22	psi & 0-2,800	B28	0-28	K28	0-28	A28	0-2,800
P23	0-600	D23	psi & 0-40	G23	psi & 0-40	L23	psi & 0-4,000	B40	0-40	K40	0-40	A40	0-4,000
P24	0-800	D24	psi & 0-55	G24	psi & 0-55	L24	psi & 0-5,500	B55	0-55	K55	0-55	A55	0-5,500
P25	0-1,000	D25	psi & 0-70	G25	psi & 0-70	L25	psi & 0-7,000	B70	0-70	K70	0-70	A70	0-7,000
P30	0-1,500	D30	psi & 0-100	G30	psi & 0-100	L30	psi & 0-10,000	B100	0-100	K100	0-100	A100	0-10,000
P31	0-2,000	D31	psi & 0-140	G31	psi & 0-140	L31	psi & 0-14,000	B140	0-140	K140	0-140	A140	0-14,000
P32	0-3,000	D32	psi & 0-200	G32	psi & 0-200	L32	psi & 0-20,000	B200	0-200	K200	0-200	A200	0-20,000
P33	0-4,000	D33	psi & 0-280	G33	psi & 0-280	L33	psi & 0-28,000	B280	0-280	K280	0-280	A280	0-28,000
P34	0-5,000	D34	psi & 0-350	G34	psi & 0-350	L34	psi & 0-35,000	B350	0-350	K350	0-350	A350	0-35,000
P35	0-6,000	D35	psi & 0-400	G35	psi & 0-400	L35	psi & 0-40,000	B400	0-400	K400	0-400	A400	0-40,000
P36	0-8,000	D36	psi & 0-550	G36	psi & 0-550	L36	psi & 0-55,000	B550	0-550	K550	0-550	A550	0-55,000
P37	0-10,000	D37	psi & 0-700	G37	psi & 0-700	L37	psi & 0-70,000	B700	0-700	K700	0-700	A700	0-70,000
P38	0-15,000	D38	psi & 0-1,000	G38	psi & 0-1,000	L38	psi & 0-100,000	B1K	0-1,000	K1K	0-1,000	A1K	0-100,000
P39	0-20,000	D39	psi & 0-1,400	G39	psi & 0-1,400	L39	psi & 0-140,000						
P40	0-30,000	D40	psi & 0-2,000	G40	psi & 0-2,000	L40	psi & 0-200,000						
P41	0-40,000	D41	psi & 0-2,800	G41	psi & 0-2,800	L41	psi & 0-280,000						
P42	0-50,000	D42	psi & 0-3,500	G42	psi & 0-3,500	L42	psi & 0-350,000						



Don't See The Range You Need? Reotemp has thousands of specialty dial ranges available and will work with you to create a custom range, just contact Reotemp customer service.