

Z-TEMP LOOP POWERED LED DISPLAY PROGRAMMING MANUAL

Program the LED display by using the 3 buttons located just under the display:

- Entering Programming mode menu, selecting parameters and setting values
- Move to next menu item, increase value
- Move to previous menu item, decrease value

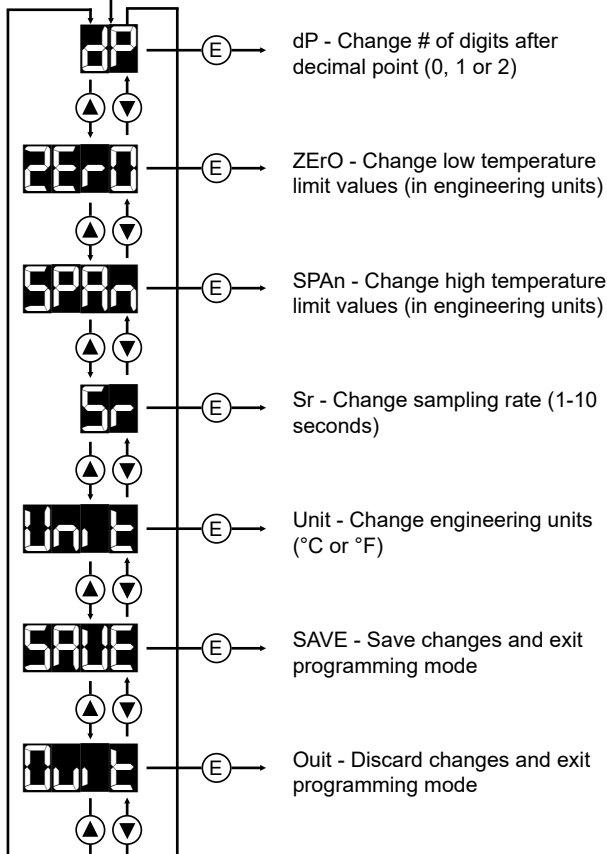
Entering Programming Mode

Press and hold the button for more than 3 seconds and release it. The first menu item appears on the display. Press and release the button to go to the next menu item. Press and release the button to go to the previous menu item.

IMPORTANT
The sensor will continue to take measurements while in programming mode.

Menu Item Selection

Press and hold for more than 3 seconds to enter programming mode



Select Parameter

When the desired parameter is selected press and release the button. The current value will show on the display. For ZerO and SPAn you can see two dots (acting as cursor). The digit between these dots will be increased or decreased by pressing buttons as described below.

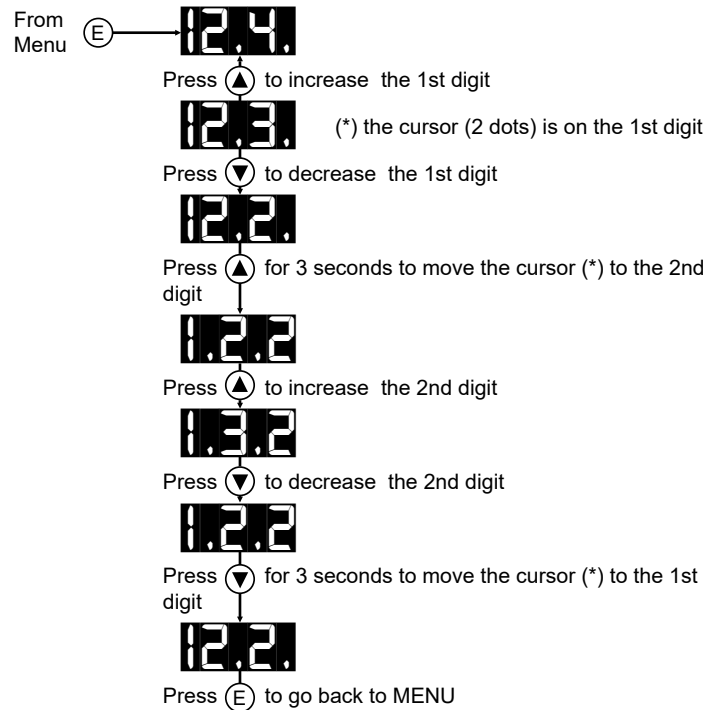
Change Parameter Value

Use or buttons to increase or decrease the value of the digit located between 2 dots (cursor). To move the cursor left, press and hold the button for 3 seconds. To move it right, press and hold the button for 3 seconds. Press and release the button to end editing.

Quit Programming Menu

To save modified parameters, select save from the menu using the button. To exit without saving changes, select quit.

Changing Values



Wiring Diagram

