


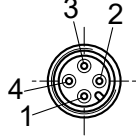
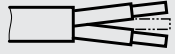
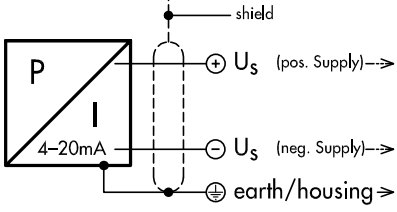
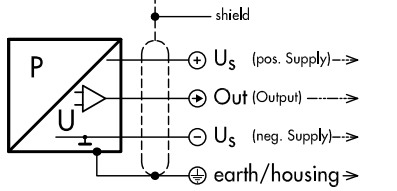
TA1 Pressure Transmitter

OUTPUT SIGNALS

Output Signal	Power Supply	Output Format	Load Resistance
4mA ~ 20mA DC	11V ~ 28V DC	2-Wire	$\leq(U-11)/0.02(\Omega)$
0V ~ 5V DC		3-Wire	$\leq 10k(\Omega)$
0V ~ 10V DC	15V ~ 28V DC		

TA Electrical Connection

Protection / Electrical Connection

	IP65	IP65	IP68
	Hirschmann DIN A	M12x1 4-pole	Cable
			
Output Signal	 4-20mA	1 2 4	(1) Brown (3) Blue (4) Black Red Black Green
	 0/5 VDC, 1/6 VDC, 0/10VDC	1 2 3 4	(1) Brown (2) White (3) Blue (4) Black Red White Black Green