

INDUSTRIAL GLASS THERMOMETER

Reotemp's Industrial Glass Thermometers are used in various settings such as pipelines, commercial building application (heating and cooling), HVAC systems, process piping, tanks, boilers, and more. They feature a bright blue fluid for easy identification, a V-shaped display that ensures readability from the side, an adjustable angle stem, and a 360-degree swivel for convenient mounting and display.



RoHS
compliant

Accuracy



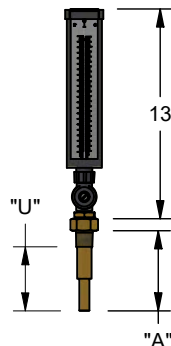
FEATURES / BENEFITS

- Made to ASME B40.200 Specifications
- Accuracy $\pm 1\%$ Full Scale. (ASME B40.200)
- Five Year Warranty

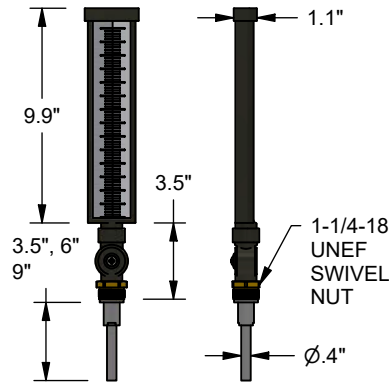
SPECIFICATIONS

Accuracy	$\pm 1\%$ Full Scale. (ASME B40.200)
Case	Black Painted Heavy Duty Aluminum, Valox Black Case (Optional)
Stem	Aluminum with Heat Conducting Graphite
Connection	1 1/4-18 UNEF-18 UNEF-2A Union Connection
Scale	9" Scale with White Aluminum and Black Letters
Tube & Capillary	Blue Spirit Filled Magnifying Tube (Organic)
Window	Standard Instrument Glass, Polycarbonate Lens (Optional)

HOW TO ORDER ASSEMBLY: Choose options to build a part number.
For example: 9VSA35324FC-SOC35B



INDUSTRIAL GLASS THERMOMETER

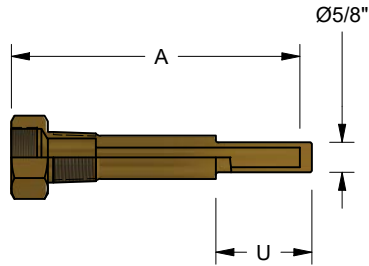


HOW TO ORDER THERMOMETER: Choose options to build a part number. For example: **9VSA35324FC-TS**

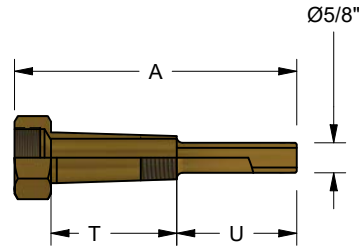
9	VSA	35	324FC	- TS
CASE LENGTH	CASE TYPE	STEM LENGTH	TEMPERATURE RANGE	OPTIONS
9 = 9" Case 6 = 6" Case	VSA = Heavy Duty Aluminum (STD) VS = Valox Plastic (Non-Standard)	35 = 3 1/2" 06 = 6" 09 = 9"	411FC = -40°F to 110°F & -40°C to 40°C 012FC = 0°F to 120°F & -15°C to 50°C 016FC = 0°F to 160°F & -15°C to 70°C 318FC = 30°F to 180°F & 0°C to 80°C 324FC = 30°F to 240°F & 0°C to 115°C 330FC = 30°F to 330°F & 0°C to 150°C 540FC = 50°F to 400°F & 10°C to 200°C 550FC = 50°F to 750°F & 10°C to 400°C	-PC = Polycarbonate Lens -TS = SS Tag -TM = Paper Tag -C3 = 3 Point Certification of Calibration

Note: Thermowells should be used whenever the stem or bulb would be exposed to pressure, corrosion, velocity, abrasion or shear forces. Thermowells also make it possible to remove the thermometer without losing pressure or the contents of the process.

INDUSTRIAL GLASS THERMOMETER



Standard Thermowell



w/ Extension Neck (Lag)

HOW TO ORDER THERMOWELL: Choose options to build a part number. For example: **SOC35B**

STANDARD THERMOWELLS (SEPARABLE SOCKETS) WITH 3/4" NPT

Material	Socket Style	Process Connection	"A" Stem Length	"U" Insertion Length	"T" Extension Length	Code	
Brass	Standard	3/4" NPT	3 1/2"	2 1/2"	N/A	SOC35B	
			6"	5"	N/A	SOC06B	
			9"	8"	N/A	SOC09B	
	Extension Neck		3 1/2"	1 3/4"	1 1/4"	SEN35B	
			6"	2 1/2"	2 1/2"	SEN06B	
			9"	5 1/2"	2 1/2"	SEN09B	
	1/2" NPT	3 1/2"	1 3/4"	1 1/4"	SOC35B-H		
Lead Free Brass	Standard		3 1/2"	2 1/2"	N/A	SOC35B-LF	
304SS	Standard	3/4" NPT	3 1/2"	2 1/2"	N/A	SOC35S	
			6"	5"	N/A	SOC06S	
			9"	8"	N/A	SOC09S	
	Extension Neck		1"	6"	2 1/2"	N/A	SEN06S-1
			3/4" NPT	3 1/2"	1 3/4"	1 1/4"	SEN35S
			3/4" NPT	6"	2 1/2"	2 1/2"	SEN06S
	3/4" NPT	9"	5 1/2"	2 1/2"	SEN09S		
316SS	Standard	3/4" NPT	3 1/2"	2 1/2"	N/A	SOC35SS	
	Extension Neck		6"	5"	N/A	SOC06SS	
			9"	8"	N/A	SOC09SS	