

INDUSTRIAL PRESSURE TRANSMITTER



TA with Hirschmann
(DIN 43650 Form A)



TA with M12 4-Pin



Diaphragm Seal
Compatible



FEATURES / BENEFITS

- 0.25% Accuracy
- All-Stainless Body and Wetted Parts
- 4-20mA or Voltage Output
- Rugged, with Protection from Shock, and Over-range
- Excellent Long-term Stability

SPECIFICATIONS

Output Signal 4-20mA, 2-Wire
0-5V, 0-10V, 1-5V, 1-6V (3-Wire)
Additional Outputs Upon Request

Measuring Principle High-Stability Silicon Piezoresistive

Pressure Ranges Vacuum, Compound, Absolute,
Pressure to 10,000psi

Over Pressure	2X Full Scale (Vac to 3,000 psi) 1.25X Full Scale (>3,000 psi to 10,000 psi)
Burst Pressure	4X Full Scale or 15,000 psi (Whichever is Lower)

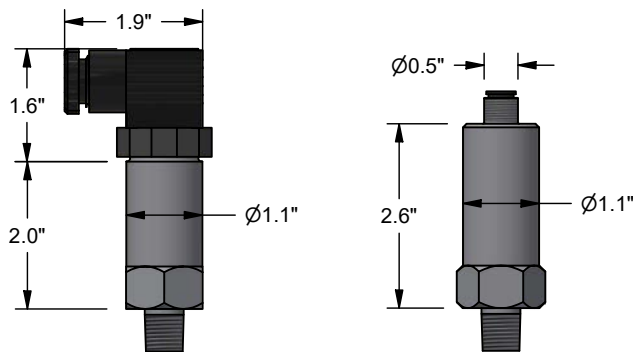
Accuracy NLH at 77°F (BSL) ±0.25% of span (Optional ± 0.5%)

Input 11-28 VDC (4-20mA, 0-5V, 1-5V, 1-6V)
15-28 VDC (0-10V)

Temperature Effect: ±0.02% FS/°F (>1 Bar),
±0.03% FS/°F (≤1 Bar)
Media: -40 to 257°F
Storage: -40 to 176°F (Hirschmann
DIN A, M12)
-4 to 176°F (Cable Type - PE)

Weight ≤ 9.5 oz

Environmental Rating IP65 (Hirschmann, M12)
IP68 (Cable)



Hirschmann
(DIN 43650 Form A)

M12 4-Pin

Note: Dimensions are nominal and may vary.
Check with Reotemp sales if dimensions are
critical. Other case styles available.

INDUSTRIAL PRESSURE TRANSMITTER

HOW TO ORDER: Choose options to build a part number. For example: TA1P182AB004-TS

MODEL	RANGE	ACCURACY	OUTPUT SIGNAL	ELECTRICAL CONNECTION	PROCESS CONNECTION	OPTIONS
TA1 Industrial Pressure Transmitter	P18 <i>See Transmitter Technical Reference on pg. 232</i>	2 2 = ±0.25% FS 1 = ±0.5% FS Note: Low Pressure Ranges with Total Span ≤ 3 psi Must be ±0.5% <i>Contact Factory for Higher Accuracy Requirements.</i>	A A = 4-20mA B = 0-5 VDC E = 0-10 VDC C = 1-5 VDC D = 1-6 VDC	B00 Hirschmann (DIN Form A) B00 = Hirschmann, Field Wireable BPVC05 = Hirschmann w/ 5ft. PVC Shielded Cable BPVC10 = Hirschmann w/ 10ft. PVC Shielded Cable BPVC16 = Hirschmann w/ 16ft. PVC Shielded Cable BPVC33 = Hirschmann w/ 33ft. PVC Shielded Cable BPE?? = Hirschmann (?? ft. of PVC Shielded Cable) M12 x 1 (4-Pin) M00 = M12 x 1 (4-Pin) w/ Field Wireable Mating Connector MPVC03 = M12 x 1 (4-Pin) Female w/ 3ft. PVC Shielded Cable MPVC10 = M12 x 1 (4-Pin) Female w/ 10ft. PVC Shielded Cable MPVC33 = M12 x 1 (4-Pin) Female w/ 33ft. PVC Shielded Cable MPE?? = M12 x 1 (4-Pin) Female w/ ??ft. PVC Shielded Cable Cable Out CGPE01 = 1.6ft. PE Shielded Cable CGPE03 = 3.2ft. PE Shielded Cable CGPE06 = 6.5ft. PE Shielded Cable CGPE?? = ?? ft. PE Shielded Cable 1/2" NPT Conduit with Cable JPE03 = 1/2" Conduit w/3ft. PE Cable JPE06 = 1/2" Conduit w/6ft. PE Cable JPE10 = 1/2" Conduit w/10ft PE Cable JPE20 = 1/2" Conduit w/20ft. PE Cable JPE?? = 1/2" Conduit w/??ft. PE Cable <i>Contact Factory for Additional Electrical Connections.</i>	4 4 = 1/4" NPT Male (std) 8 = 1/8" NPT Male 2 = 1/2" NPT Male F = 1/2" NPT Male Flush Face Diaphragm Seal (60 psi Minimum) 5 = 1/4" FNPT Female B = G1/2 (1/2 BSPP) C = G1/4 (1/4 BSPP) M = 1/4" Tube Stub N = 3/8" Tube Stub O = 1/2" Tube Stub	-TS -TS = Stainless Steel Tag (1-10 Characters) -PM = Positive Material Identification Report -C1 = 1pt. Calibration Certificate -C3 = 3pt. Calibration Certificate -C5 = 5pt. Calibration Certificate <i>Optional Assembly to Diaphragm Seal Available</i>

INDUSTRIAL PRESSURE TRANSMITTER

SPECIFICATIONS

Electrical Data	Output / Supply voltage	4 - 20 mA: 11...28 VDC (24 VDC) 0 - 5 VDC: 11...28 VDC (24 VDC) 1 - 5 VDC: 11...28 VDC (24 VDC) 1 - 6 VDC: 11...28 VDC (24 VDC) 0 - 10 VDC: 15...28 VDC (24 VDC)
	Reverse Polarity Protection	Yes
	Media Temperature	-40°F to 257°F
	Storage Temperature	-40 to 176°F (Hirschmann DIN A, M12) -4 to 176°F (Cable Type - PE)
	Protection	IP65 (Hirschmann, M12), IP68 (Cable)
	Vibration	10g (55Hz ~ 2,000 Hz)
	Shock	100g / 11ms
	Mechanical Data	Isolated Diaphragm (Wetted Part)
Pressure Port (Wetted Part)		Stainless Steel 316L/ Other Alloys Available. Contact Factory
Sealing		FKM
Housing		Stainless Steel 304/316L
Weight		≤ 9.5 oz
Mounting Torque		18.5 in-lbs

ACCURACY

Pressure Type	Range	Accuracy
Gauge	0/50 INWC to 0/3 psi	±.5% FS
	0/5 to 0/10,000 psi	±0.25% FS (or ±0.5% FS if Selected)
Absolute A	0/15 psia to 0/300 psia	±0.25% FS (or ±0.5% FS if Selected)
Compound (Negative & Positive Pressure)	-14.7/0/14.7 to -14.7/0/500 psi	±0.25% FS (or ±0.5% FS if Selected)

Test Conditions:

Environment Temperature: 20°C ±5°C

Relative Humidity: 45% ~ 75%

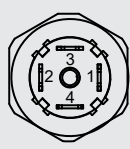
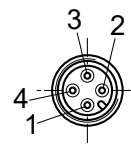

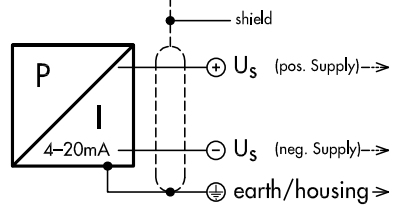
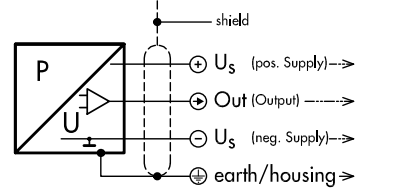
Note: Ranges Above 500psi are Sealed Gauge Transmitters with a Fixed Reference Pressure.

INDUSTRIAL PRESSURE TRANSMITTER

OUTPUT SIGNALS

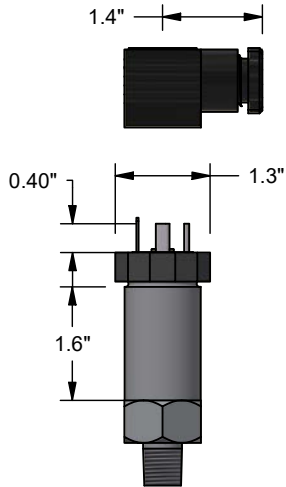
Output Signal	Power Supply	Output Format	Load Resistance
4mA ~ 20mA DC	11V ~ 28V DC	2-Wire	$\leq (U-11)/0.02(\Omega)$
0V ~ 5V DC		3-Wire	$\leq 10k(\Omega)$
1V ~ 5V DC			
1V ~ 6V DC	15V ~ 28V DC	3-Wire	$\leq 10k(\Omega)$
0V ~ 10V DC			

TA Electrical Connection

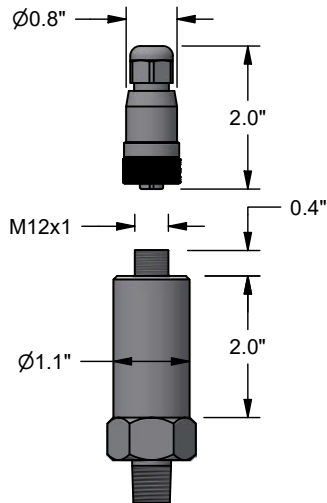
Protection / Electrical Connection			
	IP65	IP65	IP68
	Hirschmann DIN A	M12x1 4-pole	Cable Out 1/2" NPT Conduit
			
Output Signal	 4-20mA	1 2 4	(1) Brown (3) Blue (4) Black Red Black Green
	 0/5 VDC, 1/5 VDC, 1/6 VDC, 0/10VDC	1 2 3 4	(1) Brown (2) White (3) Blue (4) Black Red White Black Green

INDUSTRIAL PRESSURE TRANSMITTER

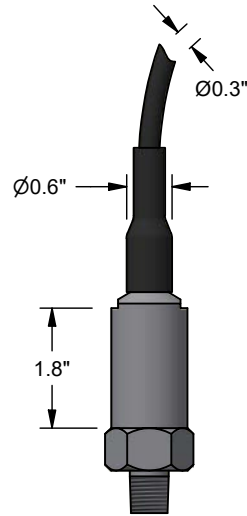
TA Dimension



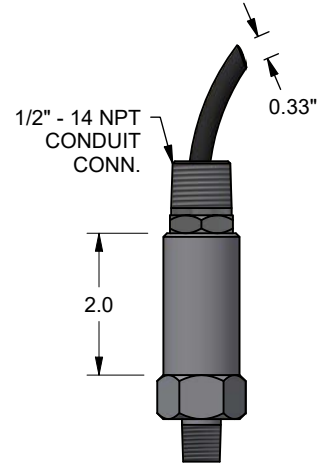
Standard Hirschmann
(DIN 43650 Form A)



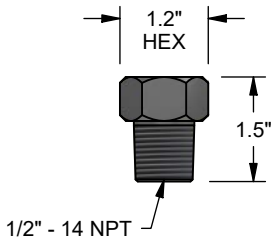
M12 x 1 (4-Pin)



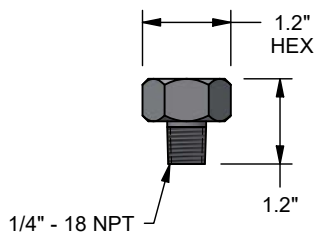
Cable Out



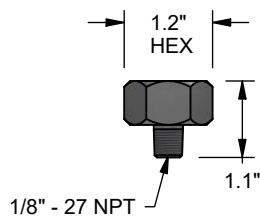
1/2" Conduit w/ Cable



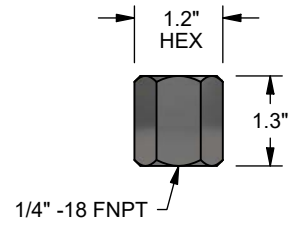
1/2" NPT



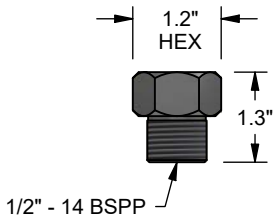
1/4" NPT



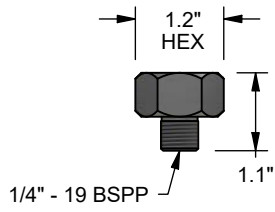
1/8" NPT



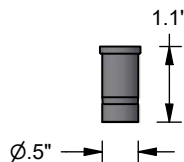
1/4" FNPT



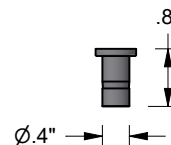
G1/2 (1/2" BSPP)



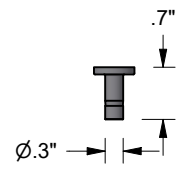
G1/4 (1/4" BSPP)



1/2" Tube Stub Fitting



3/8" Tube Stub Fitting



1/4" Tube Stub Fitting

TRANSMITTER TECHNICAL REFERENCE

SERIES		TA	TSTA	TSA	TSB	TSC	TSTP	TSTDS	TSTC	TG1	TP	TDS	TC	TE	TH1	THX	TL1
Code	Range			VACUUM													
P01	-14.7/0 psi	✓	✓	✓	✓	✓				✓				✓	✓	✓	
P01R	-14.5/0 psi								✓				✓				
Code	Range			COMPOUND RANGES													
P02	-14.7 psi/0/15psi	✓	✓	✓	✓	✓				✓					✓	✓	
P03	-14.7/0/30 psi	✓	✓	✓	✓	✓				✓				✓	✓		
P04	-14.7/0/60 psi	✓	✓	✓	✓	✓				✓							
P05	-14.7/0/100 psi	✓	✓	✓	✓	✓				✓				✓			
P06	-14.7/0/150 psi	✓	✓	✓	✓	✓				✓						✓	
P07	-14.7/0/200 psi	✓	✓											✓			
P08	-14.7/0/300 psi	✓	✓	✓	✓	✓				✓							
P02R	-14.5/0/15 psi								✓				✓				
P03R	-14.5/0/30 psi						✓	✓	✓		✓	✓	✓				
P04R	-14.5/0/60 psi						✓	✓	✓		✓	✓	✓				
P05R	-14.5/0/100 psi						✓	✓	✓		✓	✓	✓				
P06R	-14.5/0/150 psi						✓	✓	✓		✓	✓	✓				
P07R	-14.5/0/200 psi						✓	✓	✓		✓	✓	✓				
P08R	-14.5/0/300 psi						✓	✓	✓		✓	✓	✓				
Code	Range			PRESSURE RANGES													
IN50	0/50 inH ₂ O	✓	✓						✓				✓		✓		✓
IN100	0/100 inH ₂ O	✓	✓						✓	✓			✓		✓		✓
IN200	0/200 inH ₂ O	✓	✓						✓				✓		✓		✓
L11	0/55 INWC	✓	✓			✓			✓				✓		✓		
L12	0/80 INWC	✓	✓			✓			✓				✓		✓		
L13	0/140 INWC	✓	✓	✓	✓	✓			✓	✓			✓		✓		
L14	0/280 INWC	✓	✓	✓	✓	✓			✓	✓			✓		✓		
P11	0/2 psi	✓	✓			✓			✓				✓		✓	✓	✓
P12	0/3 psi	✓	✓			✓			✓				✓		✓	✓	✓
P13	0/5 psi	✓	✓	✓	✓	✓			✓	✓			✓		✓	✓	✓
P14	0/10 psi	✓	✓	✓	✓	✓			✓	✓			✓		✓	✓	✓
P15	0/15 psi	✓	✓	✓	✓	✓			✓	✓			✓	✓	✓	✓	✓
P16	0/30 psi	✓	✓	✓	✓	✓	✓	✓	✓	✓	✓	✓	✓	✓	✓	✓	✓
P175	0/50psi	✓	✓				✓	✓	✓	✓	✓	✓	✓				
P17	0/60 psi	✓	✓	✓	✓	✓			✓				✓	✓	✓	✓	✓
P18	0/100 psi	✓	✓	✓	✓	✓	✓	✓	✓	✓	✓	✓	✓	✓	✓	✓	✓
P195	0/150 psi	✓	✓	✓	✓	✓	✓	✓	✓	✓	✓	✓	✓		✓	✓	✓
P20	0/200 psi	✓	✓	✓	✓	✓	✓	✓	✓	✓	✓	✓	✓		✓	✓	✓
P21	0/300 psi	✓	✓	✓	✓	✓	✓	✓	✓	✓	✓	✓	✓		✓	✓	✓
P26	0/500 psi	✓	✓	✓	✓	✓	✓	✓	✓	✓	✓	✓	✓	✓	✓	✓	✓
P23	0/600 psi	✓	✓	✓	✓	✓			✓				✓	✓	✓	✓	✓
P27	0/750 psi	✓	✓	✓	✓	✓			✓				✓	✓	✓	✓	✓
P25	0/1000 psi	✓	✓	✓	✓	✓	✓	✓		✓	✓	✓	✓	✓	✓	✓	✓
P30	0/1500 psi	✓								✓	✓	✓			✓		
P31	0/2000 psi	✓								✓	✓	✓			✓		
P32	0/3000 psi	✓								✓	✓	✓			✓		
P34	0/5000 psi	✓								✓	✓	✓			✓	✓	✓
P35	0/6000 psi	✓								✓					✓	✓	✓
P28	0/7500 psi	✓								✓	✓	✓			✓	✓	✓
P37	0/10000 psi	✓								✓					✓	✓	✓
P38	0/15000 psi									✓					✓	✓	✓
P39	0/20000 psi														✓		
P40	0/30000 psi														✓		
P41	0/40000 psi														✓		
P42	0/50000 psi														✓		
P43	0/60000 psi														✓		
Code	Range			ABSOLUTE RANGES													
P15A	0/15 psia	✓	✓	✓	✓					✓			✓				
P16A	0/30 psia	✓	✓	✓	✓					✓			✓				
P17A	0/60 psia	✓	✓	✓	✓					✓			✓				
P18A	0/100 psia	✓	✓	✓	✓					✓			✓				
P19A	0/150 psia	✓	✓	✓	✓					✓			✓				
P20A	0/200 psia	✓	✓	✓	✓					✓			✓				
P21A	0/300 psia	✓	✓	✓	✓					✓			✓				

TRANSMITTERS

Don't See the Range You Need? Other ranges may be available, contact REOTEMP customer service for more information.

✓ Indicates that the option is available
 Note: Specifications are subject to change.