

THREADED OFFLINE WELDED DIAPHRAGM SEALS

Reotemp's Threaded Offline Welded Diaphragm Seals are designed with an upper and lower housing bolted together with a diaphragm welded to the upper housing. This removable design allows for easy cleanout of the seal chamber, while still maintaining the system fill. The threaded offline diaphragm seal can be adapted to fit almost any pressure instrument and process application.

DIAPHRAGM SEALS



W51



W61



FEATURES / BENEFITS

- Welded Diaphragm for Maximum Durability
- Wide Variety of Diaphragm and Material Options
- Continuous-duty Protects from Process Fluid Leaking in the Event of a System Breach
- Easy Cleanout of Diaphragm Cavity without Compromising Filled System

SPECIFICATIONS

Diaphragm	316/316L SS, Hast C-276, Tantalum, Monel A400, Nickel 201, or Others
Lower Housing	316/316L SS, Hast C-276, Monel A400, Alloy 20, Hast B, 304/304L SS, or Others
Gasket	See Gasket Selection Guide Page 88
Upper Housing	316/316L SS, 304/304L SS or Others
Process Temperature Limits	Maximum Temperature 750°F, See Gasket Selection Guide p.88, Fill Fluid Guide Page 93, and Instrument Mounting Configurations Page 87 for exact Temperature Limits
Ambient Temperature Limits	Determined by the pressure instrument.

Minimum Recommended Span

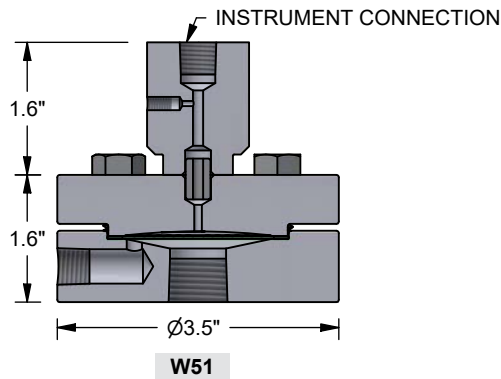
	W5	W6
2.5" & 3.5" Gauges	15 psi	200" H ₂ O
4", 4.5", & 6" Gauges	30 psi	200" H ₂ O
Transmitter (Gauge Pressure)	150" H ₂ O	60" H ₂ O
Transmitter (Differential Pressure)	300" H ₂ O _d	60" H ₂ O _d
Differential Pressure Gauge	N/A	N/A

Weight

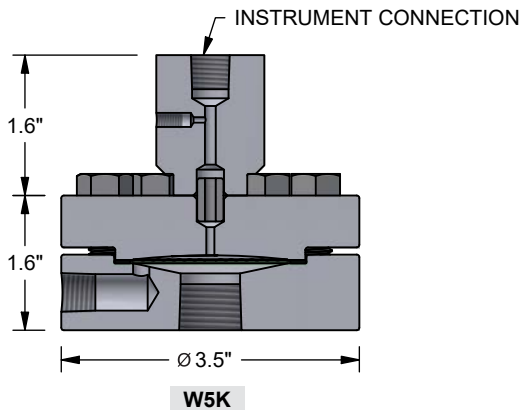
Note: Weights are approximate.

	Metallic Lower	Non-Metallic Lower
W51/W5K	3.5 lbs	2.5 lbs
W5H	11.0 lbs	N/A lbs
W61/W6M	5.2 lbs	4.2 lbs

THREADED OFFLINE WELDED DIAPHRAGM SEALS



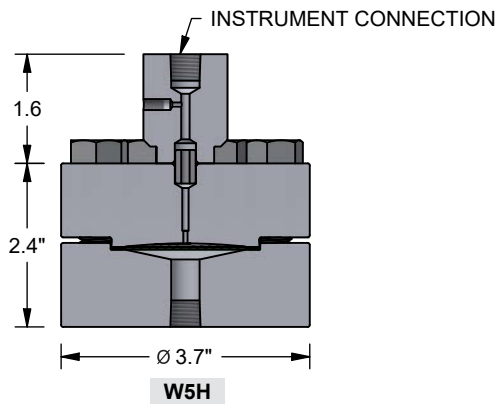
W51 Maximum Working Pressure (All Pressure in psi)				
Process Temperature (°F)	Grade 8 Bolts	316SS Bolts	NACE B7M Bolts	316SS B8M SH Bolts
100	2500	1250	2150	2150
200	2150	1075	1850	1850
300	1940	970	1670	1670
400	1780	890	1535	1535
500	1655	830	1430	1430
600	1560	785	1350	1350
650	1530	770	1325	1325
700	1505	760	1305	1305
750	1480	745	1280	1280



W5K Maximum Working Pressure (All Pressure in psi)				
Process Temperature (°F)	Grade 8 Bolts	316SS Bolts	NACE B7M Bolts	316SS B8M SH Bolts
100	5000	2500	4300	4300
200	4300	2150	3700	3700
300	3885	1940	3340	3340
400	3565	1780	3065	3065
500	3315	1655	2850	2850
600	3125	1560	2685	2685
650	3065	1530	2630	2630
700	3015	1505	2590	2590
750	2960	1480	2545	2545

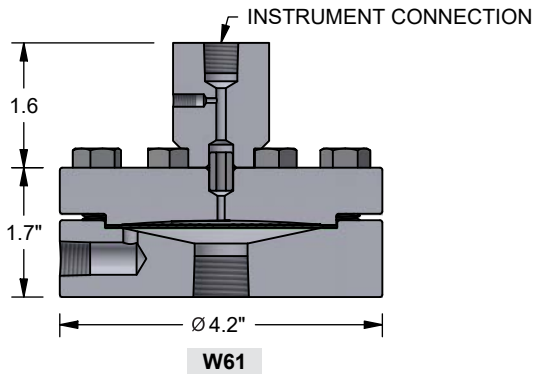
THREADED OFFLINE WELDED DIAPHRAGM SEALS

DIAPHRAGM SEALS

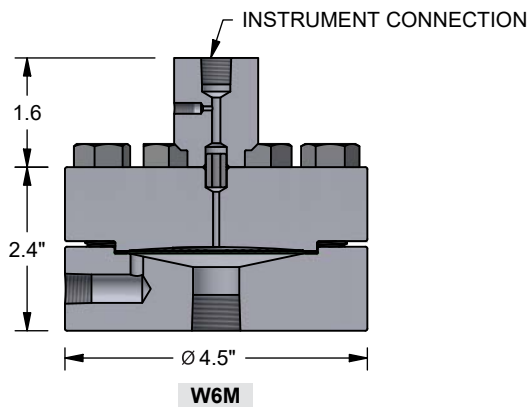


W5H Maximum Working Pressure (All Pressure in psi)				
Process Temperature (°F)	Grade 8 Bolts	316SS Bolts	NACE B7M Bolts	316SS B8M SH Bolts
100	10000	5000	8750	8750
200	8605	4300	7530	7530
300	7770	3885	6800	6800
400	7135	3565	6245	6245
500	6640	3315	5810	5810
600	6260	3125	5480	5480
650	6135	3065	5370	5370
700	6040	3015	5285	5285
750	5930	2960	5190	5190

THREADED OFFLINE WELDED DIAPHRAGM SEALS



W61 Maximum Working Pressure (All Pressure in psi)				
Process Temperature (°F)	Grade 8 Bolts	316SS Bolts	NACE B7M Bolts	316SS B8M SH Bolts
100	2000	1000	1720	1720
200	1720	860	1480	1480
300	1555	775	1335	1335
400	1430	710	1225	1225
500	1330	660	1140	1140
600	1255	620	1075	1075
650	1230	610	1055	1055
700	1210	600	1040	1040
750	1190	590	1020	1020



W6M Maximum Working Pressure (All Pressure in psi)				
Process Temperature (°F)	Grade 8 Bolts	316SS Bolts	NACE B7M Bolts	316SS B8M SH Bolts
100	4000	2000	3500	3500
200	3440	1720	3010	3010
300	3105	1555	2720	2720
400	2850	1430	2495	2495
500	2650	1330	2320	2320
600	2500	1255	2185	2185
650	2450	1230	2140	2140
700	2410	1210	2105	2105
750	2365	1190	2065	2065

Note: All drawings depict a single 1/4" NPT Flush Port (optional). Drawing are not to scale. Contact Reotemp customer service for more detailed drawings.

THREADED OFFLINE WELDED DIAPHRAGM SEALS

HOW TO ORDER: Choose options to build a part number. For example: **W51622HSS-TGRTR-BH-PP**

W51

6

2

2

H

S

S

SEAL TYPE	FLUSH PORT	INSTRUMENT CONNECTION	PROCESS CONNECTION	DIAPHRAGM MATERIAL	LOWER HOUSING	UPPER HOUSING
W51 = 2.2" Diaphragm W5K = 2.2" Diaphragm Heavy Duty W5H = 2.2" Diaphragm High Pressure W61 = 2.9" Diaphragm W6M = 2.9" Diaphragm Heavy Duty	5 = No Flush Port 6 = Single 1/4" NPT 7 = Dual 1/4" NPT C = Single 1/2" NPT ⁴ D = Dual 1/2" NPT ⁴ ⁴ Only Available with W51 and W61 Seal Types. Note: SS Plugs Included in Flush Ports.	2 = 1/2" Female NPT 4 = 1/4" Female NPT W = Low-Volume Connection for Smart Transmitters (316 upper only)	1 = 1" NPT Female 2 = 1/2" NPT Female 3 = 3/4" NPT Female 4 = 1/4" NPT Female 5 = 1.5" NPT Female (W6 ONLY) M = 1/2" NPT Male* 6 = 1.25" NPT Female 7 = 3/8" NPT Female 8 = 1/8" NPT Female 9 = 2" NPT Female (W6 ONLY) *Welded adapter, not available in all materials.	S = 316L/316L SS H = Hast C-276 U = Tantalum M = Monel A400 N = Nickel 201 2 = Duplex 2205 J = Titanium Grade 2 ¹ D = Alloy 20 F = 304/304L SS Y = Inconel 625 ¹ Requires Titanium upper housing. Wetted	S = 316/316L SS H = Hast C-276 M = Monel A400 D = Alloy 20 G = Hast B F = 304/304L SS C = Carbon Steel J = Titanium 2 = Duplex 2205 N = Nickel T = Teflon (PTFE) Z = PVC W = CPVC K = Kynar Important: see choosing a lower housing note below. Wetted	S = 316/316L SS F = 304/304L SS M = Monel A400 ² J = Titanium ³ ² Option upper housing material with Monel diaphragm only. ³ Required with Titanium Diaphragm.

-T

G

RTR

-BH

-PP

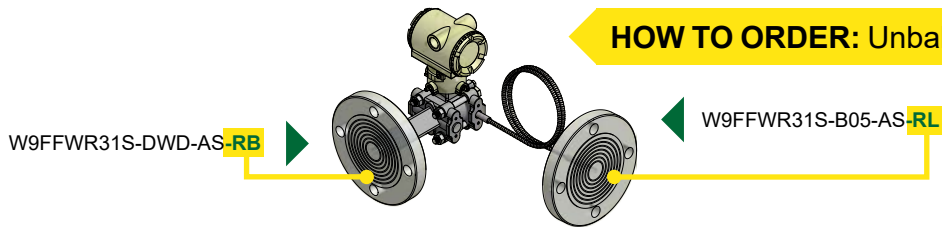
BOLTS/FASTENERS	GASKET	INSTRUMENT MOUNT	SYSTEM FILL FLUID	OPTIONS
-8 = Carbon Steel Grade 8, Yellow Chromate -S = Stainless Steel 316 -N = NACE B7M -7 = 316 B8M Stain-Hardened See Page 89 for Complete Bolt Selection Chart	K = Klinger C-4401 T = PTFE G = Grafoil See Page 88 for Complete Gasket Selection Guide Wetted	<i>Direct Mount</i> DTD = Direct Mount, Threaded DWD = Direct Mount, Welded RTR = 6" Cooling Tower STW = 3" Cooling Standoff <i>Remote Mount</i> A?? = Armored Capillary, 2mm, Threaded B?? = Armored Capillary, 2mm, Welded W?? = PVC Coated Armor, 2mm, Threaded P?? = PVC Coated Armor, 2mm, Welded Note: ?? = Length in feet (e.g. 05 = 5 feet) <i>Tree Mount</i> TRE = Goal Post, Low Pressure TRX = Goal Post, Heavy Duty TRM = Compact Tree Assembly See Page 87 for Complete Mounting Guide, Including Capillary with Different Bore Sizes YYY = Dry Seal, No Instrument	<i>Common Fills</i> -AS = Silicone DC200 -AG = Glycerin USP -BH = Silicone DC704 -C1 = Fomblin Y06 (inert) -C2 = Halocarbon 6.3 See 93 for Complete Fill Guide -XX = No Fill Fluid	-PP = Pulse Plus™ (Pulsation Protection) -OX = Cleaned for Oxygen Service -AU = Gold-Plated Diaphragm -TC = Teflon-Coated Diaphragm -TS = SS Tag (1-10 Character) -FW = Fill Port Welded Closed -MR = Mill Test Report -NC = NACE Certification -PM = Positive Material Identification Certification See Page 154 for Additional Options



Important Note on Choosing a Lower Housing: Reotemp recommends the use of metallic lower housings when process compatibility allows. Before specifying a non-metallic lower housing, users should be familiar with the material characteristics and risks of non-metallic materials including leaking, cracking, flowing and other issues that can affect durability and performance.

SMART TRANSMITTER ATTACHMENT

HOW TO ORDER: Unbalanced System Example

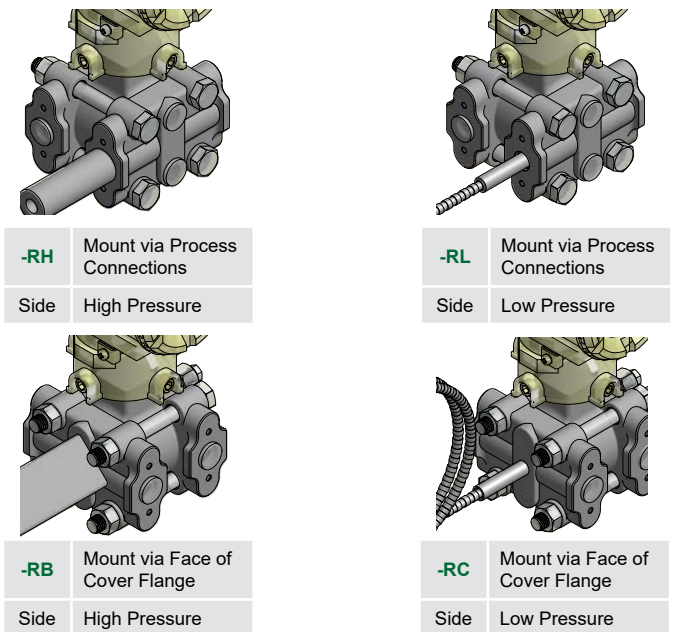
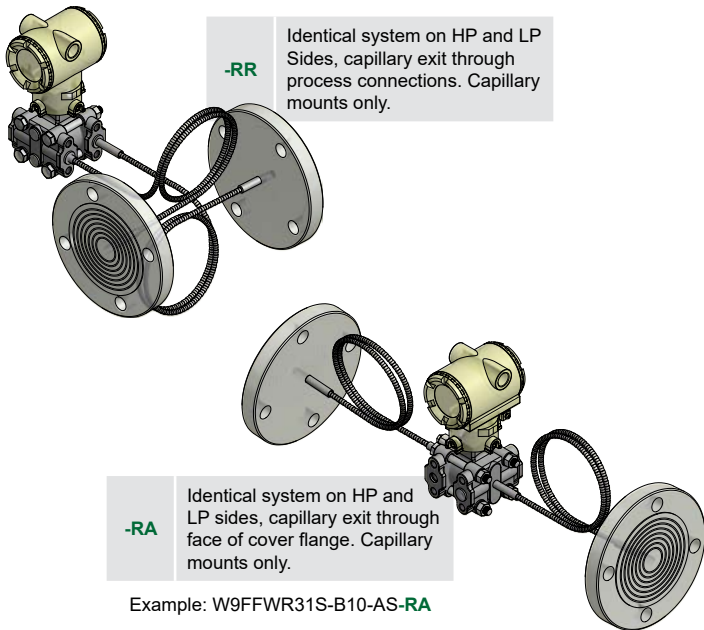


DIFFERENTIAL PRESSURE ASSEMBLY

Balanced System A complete assembly with one part number that includes two diaphragm seals, two capillaries, two fills, and one complete assembly calibration certificate.

Unbalanced DP System Where seal, mount, capillary, or fill is not identical. A complete assembly includes one diaphragm seal on the HP side AND one diaphragm seal on the LP side.

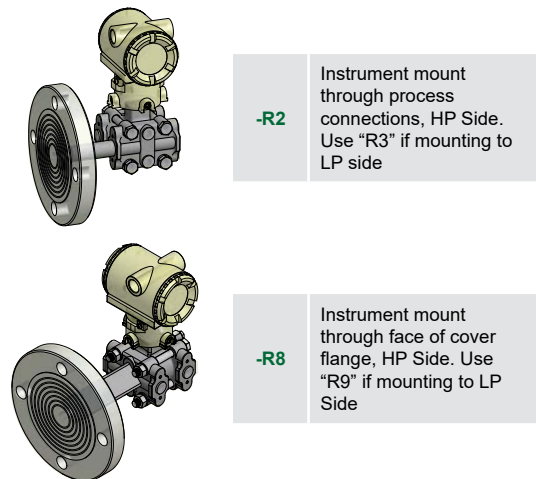
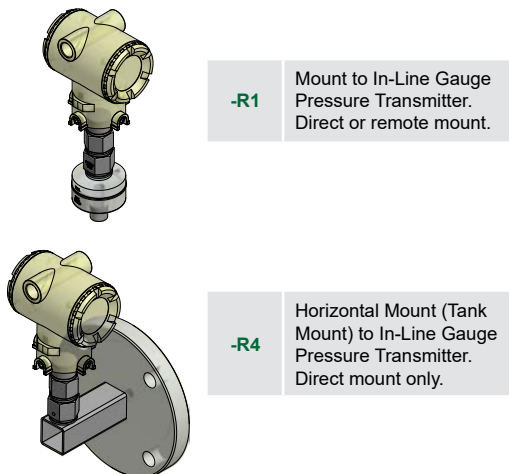
DIAPHRAGM SEALS



GAUGE PRESSURE ASSEMBLY

In Line Pressure Transmitter

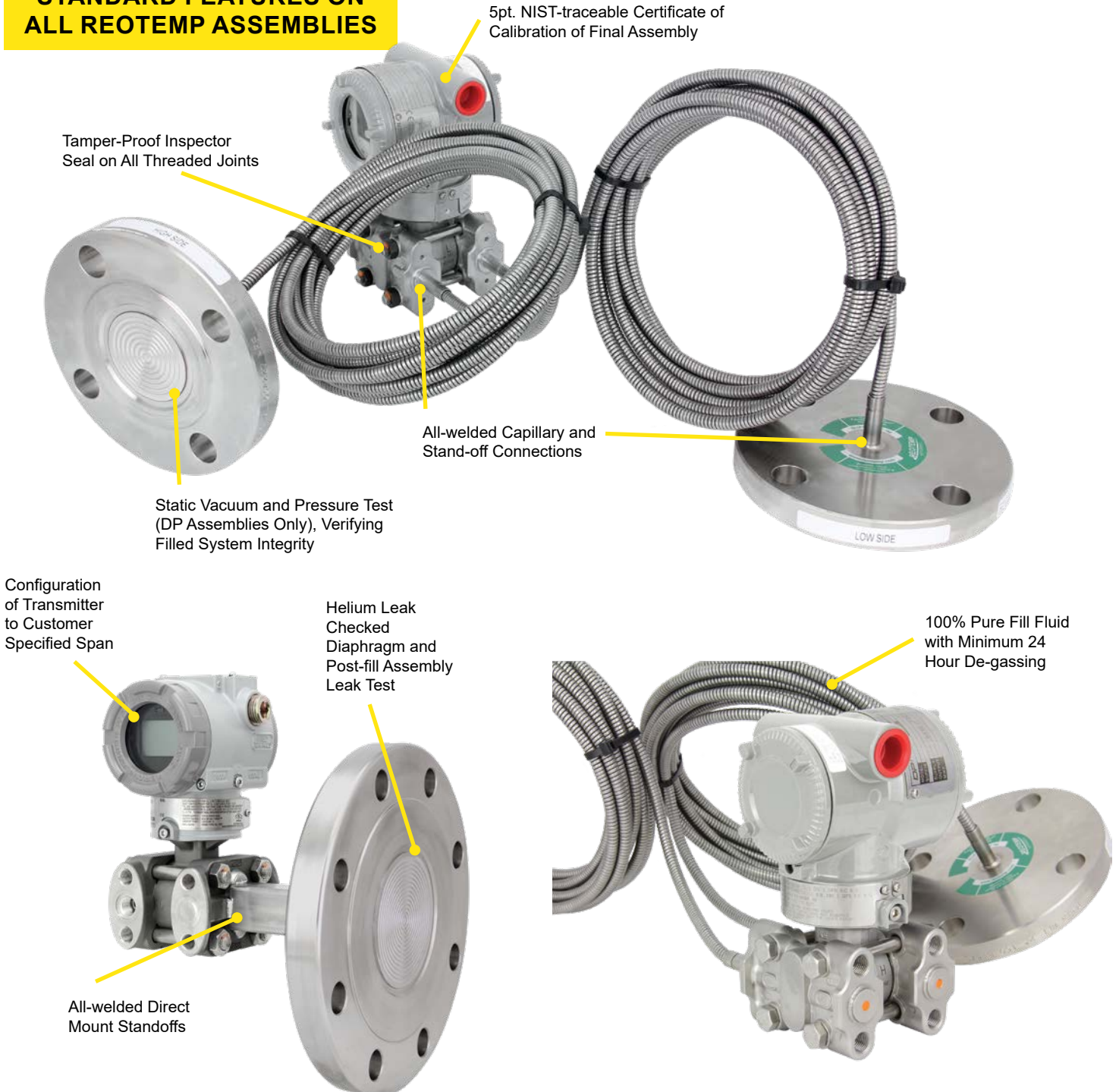
Traditional Mount for Gauge Pressure Seal mount on one side only, other side is vented.



DIAPHRAGM SEAL ASSEMBLY TO SMART TRANSMITTERS

Reotemp specializes in the unique craft of assembling diaphragm seals to field transmitters for the purpose of measuring pressure, differential pressure, level, and flow. As a trusted supplier to many of the world's leading transmitter manufacturers, Reotemp can assemble a diaphragm seal system to virtually any make or model transmitter. Every transmitter mount includes the features below to ensure superior performance and durability for every assembly. Reotemp also offers repair, refurbishment or replacement of used transmitters with remote seals.

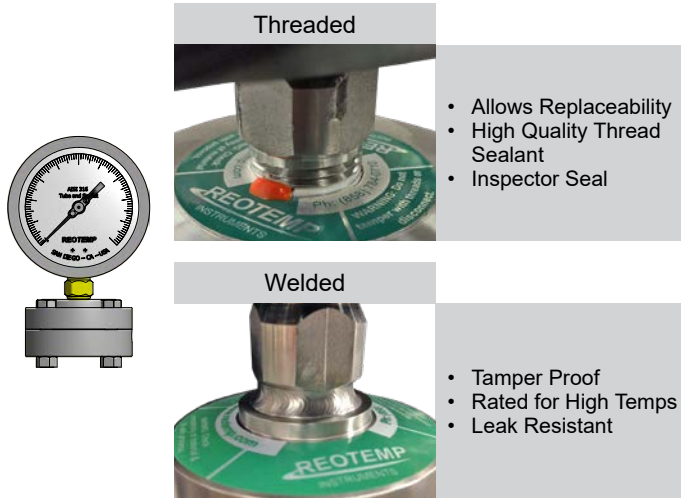
STANDARD FEATURES ON ALL REOTEMP ASSEMBLIES



INSTRUMENT MOUNTING CONFIGURATIONS

DIRECT MOUNT

Direct Mounting a pressure gauge, switch, or transmitter is the most common diaphragm seal assembly.



- Allows Replaceability
- High Quality Thread Sealant
- Inspector Seal

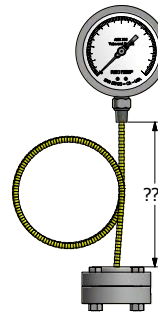
- Tamper Proof
- Rated for High Temps
- Leak Resistant

Code	Description	Max. Temp
-DTD	Threaded Instrument Connection	400°F
-DWD	Welded Instrument Connection	600°F

Assembly Notes: Welded connection recommended for pressure exceeding 1,500 psi for purposes of leak prevention.

REMOTE MOUNT

Remote Mounting a pressure instrument using flexible capillary is a common mounting method when the point of measurement is in a hazardous or inconvenient location.



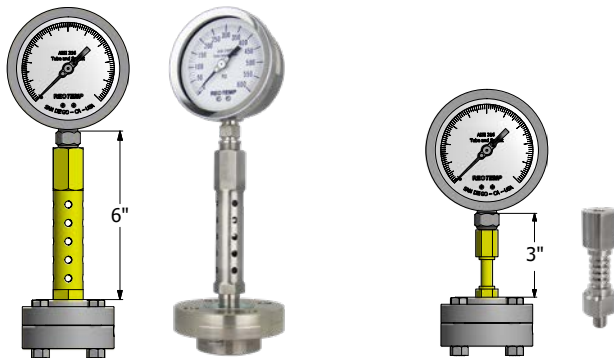
Code	Description
A	Armored, Threaded, 2mm
B	Armored, Welded, 2mm
W	PVC, Threaded, 2mm
P	PVC, Welded, 2mm
C	Armored, Threaded, 1mm
E	Armored, Welded, 1mm
F	PVC, Threaded, 1mm
G	PVC, Welded, 1mm
H	Armored, Threaded, 0.55mm
J	Armored, Welded, 0.55mm
K	PVC, Threaded, 0.55mm
L	PVC, Welded, 0.55mm

Note: ?? = Length in feet (e.g. 05 = 5 feet)

Assembly Notes: 2mm, 1mm, and .55mm are capillary inner diameter. Ambient temperature limit of PVC coated armor is 250°F. Process temperature limit of threaded connections is 400°F. Standard instrument connection is threaded (Smart Transmitters are welded), unless specified by customer.

COOLING ELEMENTS

Used in either high temp or cold temp applications, Cooling Elements mounted above diaphragm seals quickly normalize fluid temperature toward ambient. This protects the pressure instrument while still maintaining the convenience of a direct mount.

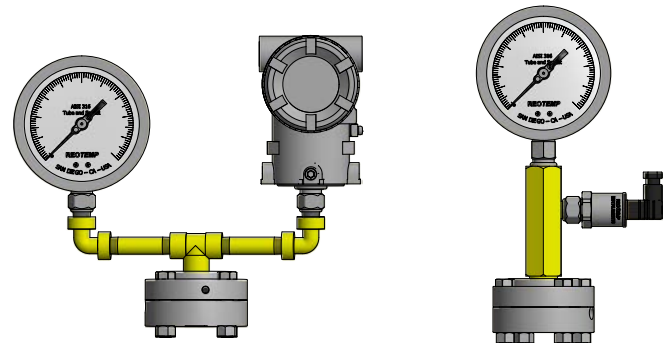


Code	Description	Max. Temp
-RTR	6" Cooling Tower	750°F
-STW	3" Cooling Standoff	600°F

Assembly Notes: Cooling elements are welded to diaphragm seal. Instruments are threaded to cooling element unless specified. All lengths are nominal.

TREE ASSEMBLIES

Tree Assemblies offer the ability to mount two pressure instruments onto one diaphragm seal, allowing the user to gain both a local indication and a remote signal without adding an additional pipe insertion.



Code	Description	Max. Temp
-TRE	Goal Post, Low Pressure Assembly (Max. 150 psi)	400°F
-TRX	Goal Post, Heavy Duty (Max. 3,000 psi)	600°F
-TRM	Compact Tree Assembly (Max. 3,000 psi)	600°F

Assembly Notes: Threaded joints are fully welded for consistent instrument orientation. Instrument connections are threaded unless specified by customer. Diaphragm seal must displace enough fluid to drive both instruments.

DIAPHRAGM SEALS

GASKET SELECTION GUIDE

Gasket selection depends on your process temperature, reactivity and other variables. For most applications Klinger is standard however suitability for process is determined by the customer.

GASKET SELECTION CHART						
Code	Material	Maximum Temperature (°F)	Minimum Temperature (°F)	Description	Common Applications	Cost
K	Klinger C4401	500°F	-110°F	Compressed aramid synthetic fiber reinforced with a nitrile binder. Excellent sealability and general purpose use	Mild inorganic and organic acids, concentrated and diluted alkalis, water, brine, industrial gases, oils, refrigerants, petroleum and derivatives	-
5	Silver Ag 3N5	750°F	-150°F	(Preferred choice for high temp, low temp, and high pressure applications) 99.95% pure silver (Ag) sheet. Exceptional sealability and use in extreme temperature and pressure applications. Only gasket that can be re-used in certain conditions	Extreme Temperatures and Pressures, Cryogenics, Nuclear, Deep Vacuum, Solvents, Alcohols, Steam, Silicone, Vegetable and Petroleum oils, Fuels	\$\$
Y	Gylon 3510	500°F	-150°F	(Preferred choice for most corrosive applications) PTFE filled with barium sulfate. Good Sealability as well as improved relaxation and cold flow resistance versus PTFE	Strong caustics, hydrocarbons, steam, chlorine, moderate acids, cryogenics, aluminum fluoride	\$\$
T	Virgin PTFE	400°F	-150°F	Polytetrafluoroethylene Resin. Exceptional chemical resistance. Poor cold flow and relaxation properties	Inert to nearly all chemicals	\$
Z	Kalrez	620°F	30°F	High temperature resistant perfluoroelastomer with excellent tensile strength, sealability, and elasticity	Oxidizing and Reactive Chemicals, Steam, Alcohols, Aldehydes, Ethers, Esters, Ketones, Acids and Bases	\$\$
C	Top Chem 2000	450°F	-150°F	PTFE filled with silicone carbide (SiC). Excellent Sealability and improved relaxation resistance over PTFE	Strong acids and alkalines, Steam, Motor fuel and oils, Aromates, Esters, Ketones, Alcohols	\$\$
M	EPDM	200°F	-20°F	Ethylene Propylene Diene Monomer Rubber. Good elasticity, Tensile Strength, and Sealability. Exhibits limited elevated temperature resistance.	Silicone and Vegetable oils, Ketones, Esters, Alkalies, Most Acids, Water	\$
V	Viton	400°F	-10°F	Fluorinated synthetic polymer or fluoroelastomer that contains excellent elasticity, tensile strength, and sealability as well as good medium temperature resistance	Variety of acids and bases, animal and vegetable oils, hydrocarbons	\$
G	Grafoil	750°F	-40°F	Made of pure compressed homogenous graphite flake with a corrosion inhibitor. Contains no binders or resins. Very fragile with very low tensile strength and elasticity	Elevated temperature processes, aggressive and corrosive chemicals, Nuclear	\$
B	Buna-N	200°F	-20°F	Also known as NBR, is a black nitrile synthetic rubber compound with excellent elasticity, tensile strength, and abrasion resistance, but exhibits poor elevated temperature characteristics	Petroleum-Based and Synthetic Oils, Alcohols, Hydraulic Fluids, Fuels, Water, Silicone Greases, Solvents	\$

DIAPHRAGM SEALS

Re-use: Re-use subject to gasket condition and presence of corrosion or pitting on mating parts. Only recommended for up to three re-use cycles. Re-assembly of the diaphragm seal to be performed per Reotemp standards and procedures to ensure proper seating.

Max Working Pressure: Gasket Selection does not impact the MWP of the configured diaphragm seal.

Process Compatibility: The listed common applications are to be used as a guide only. Actual chemical compatibility of the process with the chosen gasket material should be approved by qualified personnel.

BOLT SELECTION GUIDE

DIAPHRAGM SEALS

BOLT SELECTION					
Code	Material	Specifications	Description	Common Applications	Cost
8	Grade 8 Steel	ASTM A354 Gr. BD or Gr. 8 Zinc Chromate Coating	General purpose use bolt offered as our standard. Contains the highest strength and pressure rating of all other fasteners. Highest susceptibility to corrosive atmospheric conditions.	Standard applications of non-corrosive processes where possible outgassing through the gasket is minimal and atmospheric conditions are suitable. petroleum and derivatives	-
S	316SS	ASTM A193 Gr. B8M CL.1 or ASTM F593G/H 316	Contains the lowest strength and pressure rating of all other fasteners. Exhibits excellent resistance to corrosive atmospheres.	Used most often in low process pressure applications where corrosive elements are present in the surrounding air and process outgassing is possible.	\$
N	NACE B7M	ASTM A193 Gr. B7M NACE Electroless Nickel Coating	This fastener conforms to NACE MR0175/ MR0103 standards. Contains good strength and retains an acceptable pressure rating.	Specialty bolt offered for sour gas H2S service where sulfide corrosion cracking can occur. Recommended for use in raw petroleum and gas extraction.	\$\$
7	316SS B8M SH	ASTM 193 Gr. B8M CL.2 Strain Hardened (SH)	Combines high strength and a good pressure rating in one. Primarily used when upgrading bolts prevents jumping to a new pressure seal class and corrosive elements are present in the air.	High pressure applications where process outgassing through gaskets is expected, and fastener resistance to corrosive environments is critical.	\$\$

Max Working Pressure: Fastener selection does impact the maximum working pressure of the assembly. See pressure rating tables to verify process suitability.
Process Compatibility: Compatibility of fastener material with process outgassing and atmospheric conditions is the responsibility of the user.

FILL GUIDE

Diaphragm seals are designed to protect pressure instruments from hot process media and corrosive chemicals while minimizing any negative effect on instrument accuracy and durability. A well-made diaphragm seal can achieve this goal only if it is properly assembled, filled, and tested. Reotemp's highly trained technicians use state-of-the-art equipment so that every diaphragm seal assembly is filled and tested to assure optimal instrument performance:

- ✓ 24-hour Minimum Fluid De-gassing
- ✓ Evacuated Instrument Chamber Up to 10⁻⁸ mbar Absolute
- ✓ Complete Fill Integrity Check
- ✓ Fill-port Leak Test
- ✓ Post-fill Static Test
- ✓ Verification of Instrument Calibration
- ✓ High-temp Pipe Sealant Option for Joints
- ✓ Tamper-proof (Inspection Seal) Lacquer used on All Threaded Joints
- ✓ Sturdy Diaphragm Packaging Protection

DIAPHRAGM SEALS

Part Number Code	Name	Description	Temperature Range (Vacuum Service <5psia)		Viscosity cst @ -77°F	Specific Gravity @ -77°F	Thermal Expansion cc/cc°C
STANDARD FILL FLUID							
AS	Silicone DC200 ¹	This is the standard fill fluid for most diaphragm seal applications.	-40°F to 400°F (-40°F to 250°F)	Yes	20	0.94	.00104
HIGH TEMP SILICONE							
BH	Silicone DC704 ¹	Standard for Smart Transmitters and capillary systems. Performs well in applications with high temperature and a deep vacuum.	0°F to 650°F (0°F to 450°F)	No	44	1.07	.00077
B1	Silicone DC710 ¹	Highest temperature rating; ideal for gauge seal assemblies. Too thick for capillary assemblies. Response time can become very slow in cold conditions.	50°F to 750°F (50°F to 400°F)	Yes	500	1.11	.00043
C8	Syltherm 800 ²	Low viscosity allows it to perform well in both low and high temperatures. Not recommended for vacuum service or at high temperatures when under low static pressure.	-40°F to 750°F (-40°F to 150°F)	No	9.5	0.93	.00136
B5	Silicone DC705 ¹	Performs very well in high temperatures when under vacuum. The high viscosity and freezing point of this fluid makes it a poor choice for cold or outdoor installations without heat tracing.	50°F to 675°F (50°F to 550°F)	Yes	175	1.09	.00096
B2	Silicone DC550 ¹	Similar high temperature performance as DC705, however it performs better at lower temperatures.	-40°F to 575°F (-40°F to 400°F)	No	125	1.07	.00076
FOOD GRADE							
AG	Glycerin USP	This is the standard fill fluid for most gauge seal assemblies for food, beverage, and pharmaceutical applications. Its high viscosity will cause very slow response at times in low temperature and outdoor installations.	60°F to 450°F (Not Suitable)	Yes	1100	1.26	.00061
BN	NEOBEE M20 ⁷	Low viscosity and a wide temperature range makes this the standard sanitary fill fluid for Smart Transmitters and capillary systems.	-10°F to 400°F (-10°F to 200°F)	No	10	0.92	.00101
BS	Food Grade Silicone	Highest temperature limit for food grade fluids. Because of its high viscosity it does not perform well in low temperatures.	20°F to 550°F (20°F to 250°F)	Yes	350	0.97	.00096
BP	Propylene Glycol	This is the fill fluid used when Glycol is called for on the customer specification. It has a very narrow temperature range.	0°F to 200°F (Not Suitable)	No	2.85	1.03	.00073
INERT (TYPICALLY FOR CHLORINE AND OXYGEN APPLICATIONS OR IN SILICONE-FREE ENVIRONMENTS)							
C1	Fomblin Y06 ⁴	Ideal inert fluid for transmitter applications. Relatively high vapor pressure above 200°F. Not recommended for use in high temperature situations with low static pressure.	-40°F to 450°F (0°F to 250°F)	No	71	1.88	.00086
C2	Halocarbon 6.3 ³	Standard inert fluid used in gauge seal assemblies.	-40°F to 400°F (-40°F to 200°F)	Yes	6.3	1.87	.00084
C3	Halocarbon 1.8 ³	Typically used in low temperature applications because of its low viscosity.	-110°F to 220°F (-100°F to 100°F)	No	1.8	1.82	.00084
C4	Fluorolube FS-5 ⁵	Similar performance to Halocarbon 6.3, however not suitable for vacuum service.	-40°F to 450°F (Not Suitable)	No	5	1.86	.00087
SPECIALTY							
CK	Krytox 1506 ⁶	Specialty fill fluid, inert.	-40°F to 350°F (-40°F to 300°F)	No	62	1.88	.00095
BE	Ethylene Glycol	Occasionally used in annular (O-ring) seal assemblies.	-25°F to 320°F (Not Suitable)	No	30	1.10	.00062
CT	Syltherm XLT ²	Used for very low process temperatures.	-150°F to 500°F (Not Suitable)	No	1.4	0.85	.00168

1 Trademark Dow Corning

3 Trademark Halocarbon Product Corporation

5 Trademark Hooker Chemical Company

7 Trademark Stepan Specialty Products

2 Trademark The Dow Chemical Company

4 Trademark AUSIMONT S.P.A

6 Trademark The Chemours Company FC, LLC

Note: PulsePlus™ fill fluids may have different physical properties than specified. Chemical composition and temperature ranges do not vary.

DIAPHRAGM SEAL OPTIONS

DIAPHRAGM SEALS

		MS4 MS6 MS8	W5 W6 W7	T5 T6 V5	W9FF W9FR	W9XT	W9FP	DSTC75	DSTC15 AND LARGER	DSTF05	DSTF75 AND LARGER	OR	DXFR
PULSATION PROTECTION (ONLY AVAILABLE WITH REOTEMP PRESSURE GAUGE MOUNTED TO SEAL)													
-PP	Pulse Plus™	✓	✓	✓	✓	✓	N/A	N/A	✓	N/A	✓	✓	N/A
DIAPHRAGM COATING													
-AU	Gold Plated Diaphragm	N/A	✓	N/A	✓	✓	✓	✓	✓	✓	✓	N/A	N/A
-TC	Teflon Coated Diaphragm PTFE	N/A	✓	N/A	✓	✓	✓	N/A	✓	N/A	✓	N/A	N/A
-EP	Electropolished Diaphragm	N/A	N/A	N/A	N/A	N/A	N/A	✓	✓	✓	✓	N/A	N/A
FILL													
-FW	Fill Port Welded Closed	STD ¹	✓	✓	✓	✓	✓	✓	✓	✓	✓	N/A	N/A
-VF	Fill for Vacuum Service	N/A	✓	N/A	✓	✓	✓	N/A	✓	N/A	✓	N/A	N/A
CLEANING AND FINISH													
-DG	Degreased, Shipped in Sealed Bag	✓	✓	✓	✓	✓	✓	✓	✓	✓	✓	N/A	✓
-OX	Cleaned for Oxygen Service per ASME B40.1	✓	✓	N/A	✓	✓	✓	✓	✓	✓	✓	N/A	✓
-OY	Cleaned for Oxygen Service per MIL-STD-1330D	✓	✓	N/A	✓	✓	✓	✓	✓	✓	✓	N/A	✓
PLUG FOR FLUSH PORT													
-GS	1/4" SS Plug Installed	STD	STD	STD	N/A	N/A	N/A	N/A	N/A	N/A	N/A	N/A	✓
-JS	1/2" SS Plug Installed	N/A	STD	STD	N/A	N/A	N/A	N/A	N/A	N/A	N/A	N/A	✓
-GH	1/4" Hast C Plug Installed	✓	✓	✓	N/A	N/A	N/A	N/A	N/A	N/A	N/A	N/A	✓
-JH	1/2" Hast C Plug Installed	N/A	✓	✓	N/A	N/A	N/A	N/A	N/A	N/A	N/A	N/A	✓
-GM	1/4" Monel Plug Installed	N/A	✓	✓	N/A	N/A	N/A	N/A	N/A	N/A	N/A	N/A	✓
-JM	1/2" Monel Plug Installed	N/A	✓	✓	N/A	N/A	N/A	N/A	N/A	N/A	N/A	N/A	✓
TAG OPTION													
-TS	Stainless Steel Tag (1-10 Characters)							✓					
-TM	Stainless Steel Tag (11-80 Characters)							✓					
-TP	Paper Tag							✓					
CERTIFICATION OPTIONS													
-NC	Certificate of NACE Compliance	✓	✓	N/A	✓	✓	✓	N/A	N/A	✓	✓	N/A	✓
-CM	General Material Conformance	✓	✓	✓	✓	✓	✓	✓	✓	✓	✓	✓	✓
-MR	MTR - Mill Test Report Certificate	✓	✓	✓	✓	✓	✓	✓	✓	✓	✓	N/A	✓
-PM	PMI - Positive Material Identification Certificate	✓	✓	✓	✓	✓	✓	✓	✓	✓	✓	N/A	✓
-HT	Hydrostatic Test per ASME B31.3	✓	✓	✓	✓	✓	✓	✓	✓	✓	✓	N/A	N/A
-HL	Helium Leak Test Certificate	✓	✓	N/A	✓	✓	✓	✓	✓	✓	✓	N/A	N/A

✓ Indicates that the option is available
 N/A Indicates the option is not available

¹ Standard on MS8, available on MS4 & MS6.