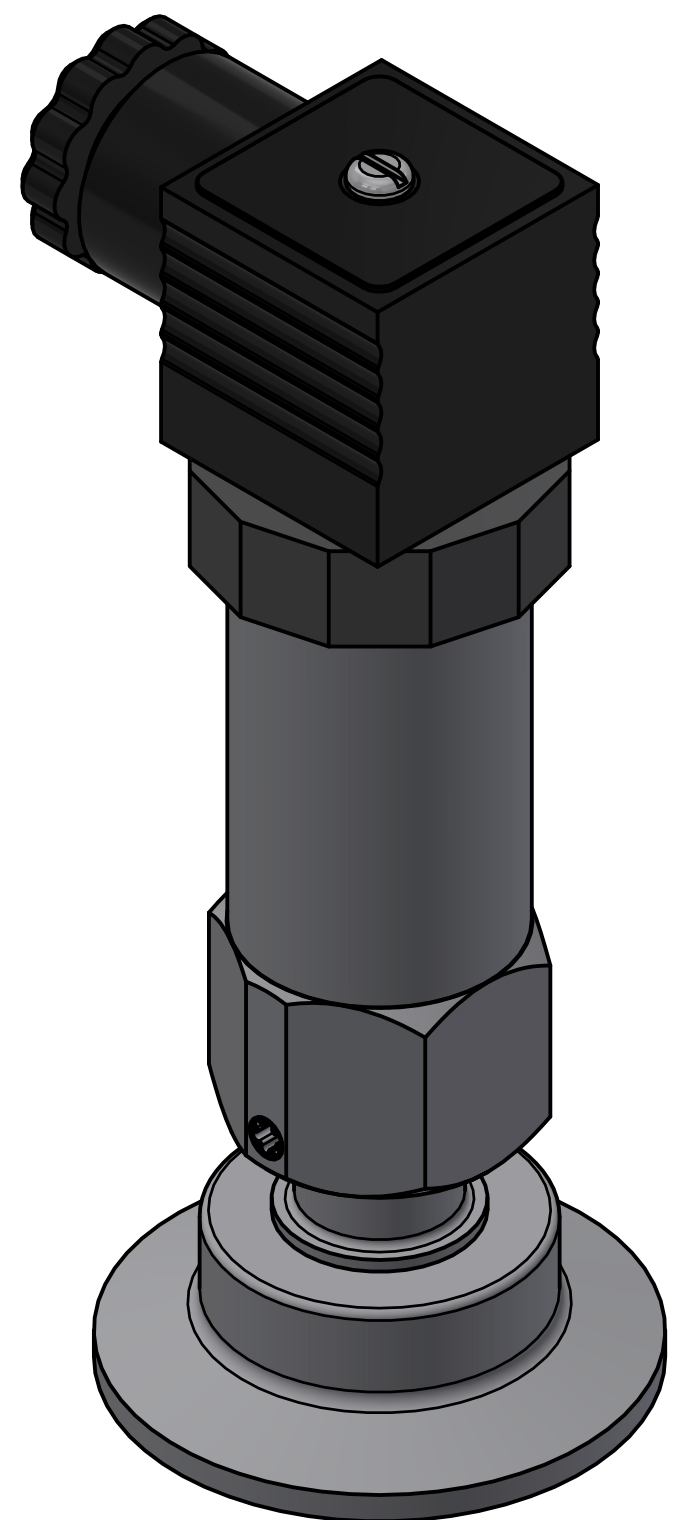
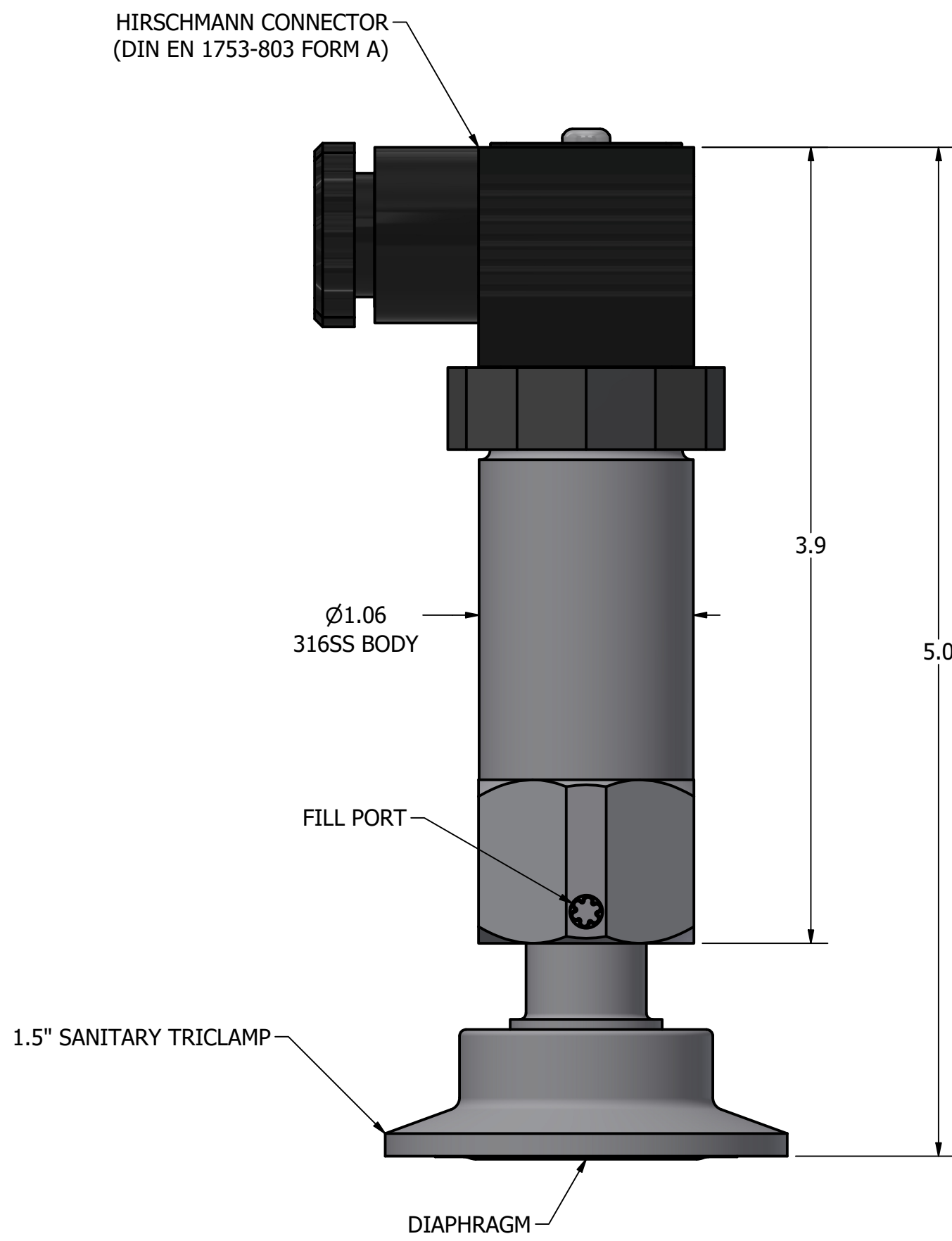


REVISION HISTORY			
REV	DESCRIPTION	DATE	APPROVED
A		9/20/2024	Jeffrey Trembley



PART NAME TSTA-ASSY-TRANSMITTER-DSTC-1.5IN-B00-MARKETING																					
<small>UNLESS OTHERWISE SPECIFIED DIMENSIONS ARE IN INCHES TOLERANCES ARE:</small> <table border="0"> <tr> <td>DECIMALS</td> <td>ANGLES</td> <td>SURFACES</td> </tr> <tr> <td>.X ± .03</td> <td>±1°</td> <td></td> </tr> <tr> <td>.XX ± .01</td> <td></td> <td>63</td> </tr> <tr> <td>.XXX ± .005</td> <td>FRACTIONS</td> <td></td> </tr> <tr> <td>.XXXX ± .002</td> <td>±1/32</td> <td></td> </tr> <tr> <td>RADII</td> <td>±1/32</td> <td></td> </tr> </table>	DECIMALS	ANGLES	SURFACES	.X ± .03	±1°		.XX ± .01		63	.XXX ± .005	FRACTIONS		.XXXX ± .002	±1/32		RADII	±1/32		Reotemp Instrument Corporation 10656 Roselle Street San Diego, CA 92121 USA Phone: (858) 784-0710 Fax: (858) 784-0720		DATE 9/16/2024 DRAWN BY phong APPROVED Mike Neill
	DECIMALS	ANGLES	SURFACES																		
.X ± .03	±1°																				
.XX ± .01		63																			
.XXX ± .005	FRACTIONS																				
.XXXX ± .002	±1/32																				
RADII	±1/32																				
PART NO TSTA...B00-TC15DWD	SIZE C	CAGE CODE 24793	DWG NO 40-000047	REV A																	
FIRST USED ON	SCALE: NTS	FILE NAME:	SHEET 1 OF 1																		