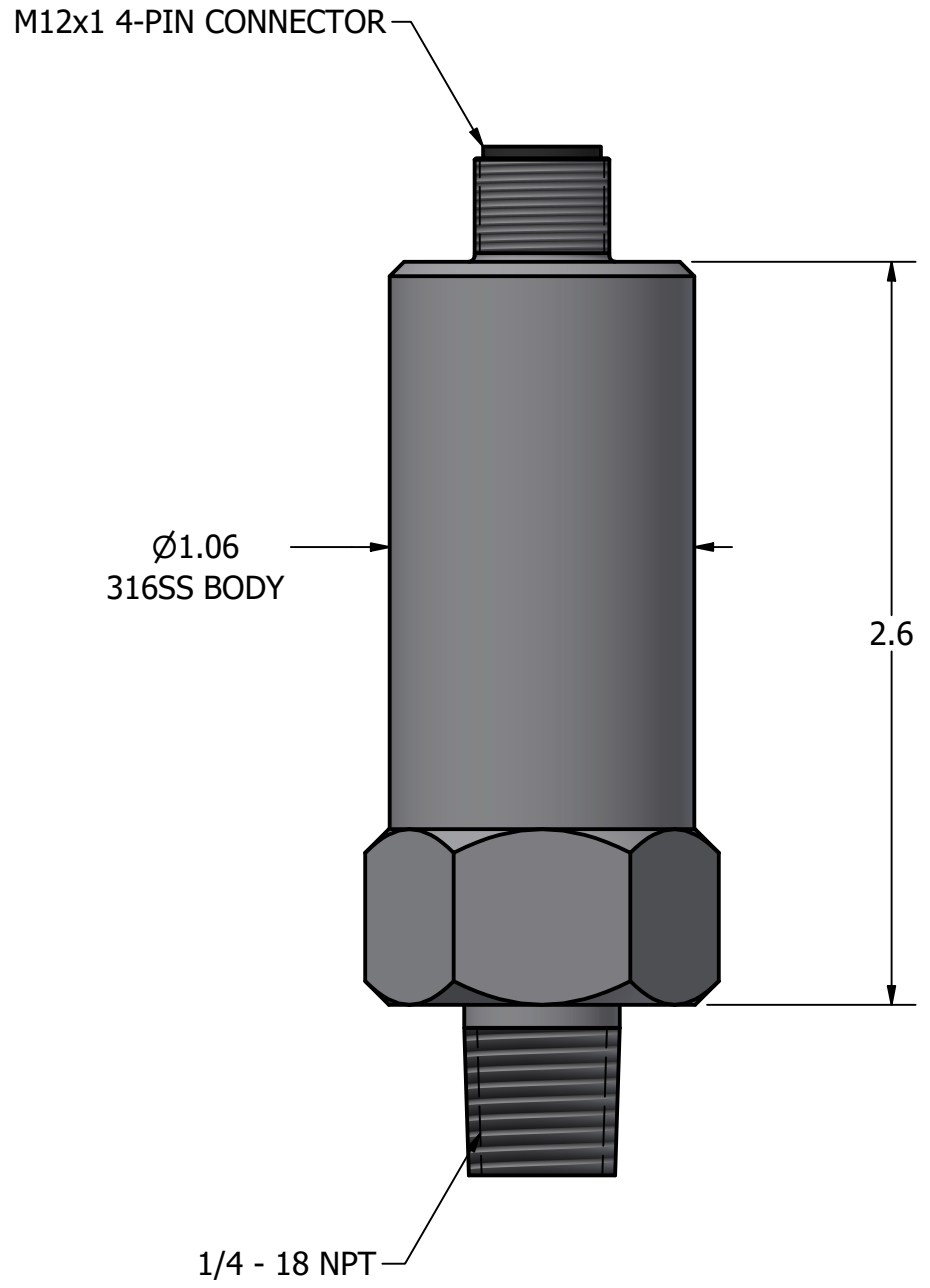
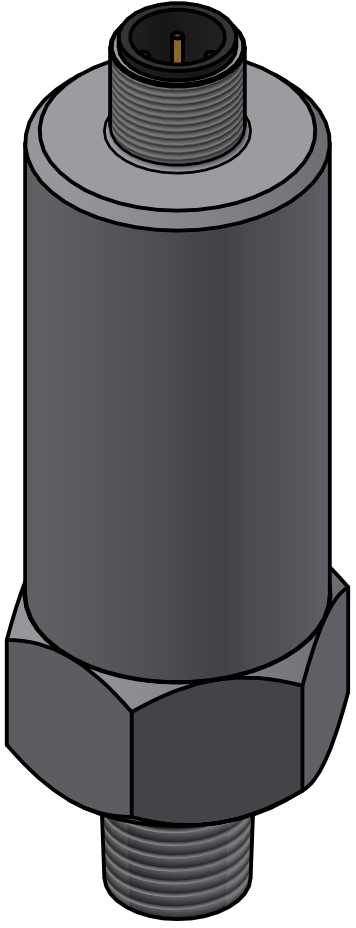


REVISION HISTORY			
REV	DESCRIPTION	DATE	APPROVED
A		9/20/2024	Mike Neill



PART NAME TA-ASSY-TRANSMITTER-.25_NPT-M00-MARKETING				
UNLESS OTHERWISE SPECIFIED DIMENSIONS ARE IN INCHES TOLERANCES ARE:		Reotemp Instrument Corporation 10656 Roselle Street San Diego, CA 92121 USA Phone: (858) 784-0710 Fax: (858) 784-0720		DATE 9/16/2024
DECIMALS .X ± .03 .XX ± .01 .XXX ± .005 .XXXX ± .002 RADII = 1/32	ANGLES ±1° FRACTIONS ±1/32	SURFACES 63		DRAWN BY phong
PART NO TA1...M00-4		SIZE C	CAGE CODE 24793	DWG NO 40-000049
APPROVED Mike Neill		REV A		
FIRST USED ON	SCALE: NTS	FILE NAME:	SHEET 1 OF 1	